

**Storm Series®
3G
(Elevating Seat included ESS6-STM)
Arrow®
Ranger X™
Torque™ SP/SE/3
Powered Wheelchairs**



Parts Catalog Usage Guide

The information contained in this document is subject to change without notice. This catalog contains service parts for Form No. 00-191. If you have any questions regarding this catalog, please contact one of our Customer Service Representatives.

For Customer Service Support Call:

1-800-333-6900

For Faxed In Orders Call:

1-800-678-4682 or

1-440-366-0709

For Technical Service Call:

1-800-832-4707

Literature Can Be Found at:

www.invacare.com or

1-800-828-6272

SYMBOL DEFINITION

Throughout this catalog you will notice letters to draw your attention to specific footnotes which are located at the bottom of the page or below specified charts.

Examples:

A,B,C etc. = Special Comments

NOTE: = General information pertaining to that specific page

NLA = No Longer Available

HARDWARE MEASUREMENTS

The measurements for the hardware will be listed as follows:

Screws, Bolts Diameter X Thread Count/Pitch X Length

Washers Inside Diameter X Outside Diameter X Thickness

Spacers Inside Diameter X Outside Diameter X Length

For your convenience, we have supplied an area for you to list your Invacare Representatives.

Name	Phone Numbers

©2008 Invacare Corporation. Elyria, Ohio. Invacare, Yes, you can., the Blue Medallion Design, Storm Series, Arrow, Tarsys are registered trademarks and MKIV, MK6i, Ranger X, Torque, and GB are trademarks of Invacare Corporation. Otto Bock is a registered trademark of Otto Bock Orthopaedische Industrie GMBH & Co., Tash is a registered trademark of Tash International Inc., Therafin is a registered trademark of W/R/ Medical Electronics Co., Bussman is a registered trademark of Cooper Industries., MIDI is a registered trademark of Littelfuse Inc., Dynamic is a registered trademark of Dynamic Controls Limited.

TABLE of CONTENTS

Description	Page Number
A: READ THIS FIRST (THIS CATALOG IS DIFFERENT!)	7
Accessories, Miscellaneous	218
Accessories, Oxygen Holder Assembly Kit - ADJASBA Seats (After 7/4/05)	214
Accessories, Oxygen Holder Assembly Kit - ASBA Seats (Before 7/5/05)	213
Accessories, Oxygen Holder Assembly Kit After 4/14/03 - Captain Seat	211
Accessories, Oxygen Holder Assembly Kit Before 4/15/03 - Captain Seat	210
Accessories, Power Wheelchair Tool Kit	216
Anti-Tip, 3" Wheel Assembly	129
Anti-Tip, Extended Wheel Assembly	131
Arms, Adj. Height - (12-13" W x 12-15" D)/(14-15" W x 12-22" D) ASBA Seats & (12-16" W x 12-18" D) ADJASBA Seats	100
Arms, Adj. Height - (16"-24" Wide) x (16"- 22" Deep) Seat Frames	106
Arms, Captain Seat and Hardware - 18" Wide Models	96
Arms, Captain Seat and Hardware - 20" and 22" Wide Models	98
Arms, Fixed Height - (16"-24" Wide) x (16"-22" Deep) Seat Frames	102
Arms, Mtg. Front/Rear Arm Socket Asbly. & Hdwr. For ADJASBA Seat (12"-16" Wide) (After 7/4/05)	111
Arms, Mtg. Front/Rear Arm Socket Asbly. & Hdwr. For ADJASBA Seats (16"-24" Wide) TRRO Option	115
Arms, Mtg. Front/Rear Arm Socket Asbly. & Hdwr. For ADJASBA/ADJRECL Seats (16"-24" Wide) (After 7/4/05)	113
Arms, Mtg. Swingaway Hdwr. For ASBA and ADJASBA/ADJRECL Seats	109
Back Cane Attaching Hardware For ADJASBA Seat (12"-16" Wide) (After 7/4/05)	64
Back Cane Attaching Hardware For ADJASBA Seat (16"-24" Wide) (After 7/4/05)	73
Back Cane Attaching Hardware For ADJASBA Seats (12"-16" W x 12"-15" D) TRRO Option	66

TABLE of CONTENTS

Description	Page Number
Back Cane Attaching Hardware For ADJASBA Seats (12"-16" W x 16"-18" D) TRRO Option	68
Back Cane Attaching Hardware For ADJASBA Seats (16"-24" Wide) TRRO Option	75
Back Canes and Spreader Bars For ADJASBA Seat (12"-16" Wide) (After 7/4/05)	62
Back Canes and Spreader Bars For ADJASBA Seat (16"-24" Wide) (After 7/4/05)	70
Back Canes, Spreader Bars and Attaching Hardware For ASBA Seats (12"-24" Wide) (Before 7/5/05)	57
Back, Contoura without Mounting Hardware	53
Back, Mounting Hardware, Contoura - ADJASBA Only	55
Back, Recliner Assembly For ADJRECL Seat Frames (After 7/4/05)	86
Back, Recliner Assembly For ASBA Seat Frames (Before 7/5/05)	83
Battery Box and Tray Assembly - 22NF Batteries	204
Battery Boxes and Support Frame - Group 24 Batteries	200
Battery Chargers and MKIV Harnesses	195
Battery Chargers, MK6i Battery Cables and Sensor Cables	198
Captain Seat Assembly (After 10/31/01)	32
Captain Seat Assembly (Before 11/1/01)	30
Caster and Forks, 6" Assembly	177
Caster and Forks, 8" and 9" Assemblies	174
Electronics - MK6i ~PLEASE READ THIS SECTION~	194
Electronics - MKIV ~PLEASE READ THIS SECTION~	193
Elevating Seat Option - Battery Tray, Proximity Sensor and Hardware	206
Elevating Seat Option - Elevating Actuator, Switch Sensor and Hardware	208

TABLE of CONTENTS

Description	Page Number
Elevating Seat Option - Frame, Seat Mtg. Hdwr. (ASBA 16"-22" Wide Before 7/5/05) & Captain Seat	26
Elevating Seat Option - Frame, Seat Mtg. Hdwr. ADJASBA (16"-22" Wide) (After 7/4/05)	28
Fender Assembly	192
Frame Finishes, Touch-Up Paints and Upholstery Options	8
Frame, Base	117
Frame, Base Interface Hdwr. - Formula CG Powered Seating w/ TRBKTS Option	121
Frame, Base Interface Hdwr. - ADJASBA Seat w/ TRRO/TRBKTS Option	119
Frame, Captain Seat and Actuator Hardware (After 10/31/01)	36
Frame, Captain Seat and Actuator Hardware (Before 11/1/01)	34
Frame, Seat ADJASBA, Seat Pan & Hdwr. (12"-16" Wide) (After 7/4/05)	17
Frame, Seat ADJASBA/ADJRECL, Seat Pan & Hdwr. (16"-20" W x 16"-22" D) (After 7/4/05)	22
Frame, Seat ADJASBA/ADJRECL, Seat Pan & Hdwr. (20"-24" W x 16"-22" D) (After 7/4/05)	24
Frame, Seat ASBA and Hardware (12"-15" Wide) (Before 7/5/05)	15
Frame, Seat ASBA and Hardware (16"-24" Wide) (Before 7/5/05)	19
Frame, Seat Mtg. Hdwr. (12"-15" Wide ASBA), (12"-16" Wide ADJASBA Seats & TRBKTS Option)	38
Frame, Seat Mtg. Hdwr. (12"-16" Wide) ADJASBA Seats with TRRO Option	40
Frame, Seat Mtg. Hdwr. (16"-24" Wide) ADJASBA Seats with TRRO Option	46
Frame, Seat Mtg. Hdwr. (16"-24" Wide) ADJASBA/ADJRECL (After 7/4/05) & TRBKTS Option	44
Frame, Seat Mtg. Hdwr. (16"-24" Wide) ASBA (Before 7/5/05)	42
Front Rigging ~PLEASE READ THIS SECTION~	133
Label Locations For TRRO and TRBKTS Options	13

TABLE of CONTENTS

Description	Page Number
Motor/Gearbox Asbly. Ref. Chart - MK6i Electronics (4-Pole After 10/8/06) & (GB After 5/21/07)	140
Motor/Gearbox Asbly. Ref. Chart - MKIV Electronics (4-Pole Before 10/9/06) & (GB Before 5/22/07)	134
Motors, 4-Pole and Gearboxes For MK6i Electronics (After 10/8/06)	149
Motors, 4-Pole and Gearboxes For MKIV Electronics (Before 10/9/06)	144
Motors, GB (TrueTrack) Non-Heavy Duty Motors & Hdwr. For MKIV Electronics Only	156
Motors, GB HD (TrueTrack) Motors & Hdwr. For Both MKIV Elec.'s Before 5/22/07 & MK6i After 5/21/07	162
Packaging, Literature and Decals	10
Seat Cushion Assembly, Contoura - ADJASBA Only	52
Seat Pan and Attaching Hardware, For ASBA Seat (Before 7/5/05)	48
Shock Absorbers	123
Shock Suspension Mounting Hardware	124
Suspension Arm and Mounting Hardware - 4-Pole Motors	125
Suspension Arm and Mounting Hardware - Gearless/ Brushless	127
TRRO and TRBKTS Option Clarification Reference	14
Upholstery, Back - Nylon (Non-Recliner)	77
Upholstery, Back - Recliner - Nylon	90
Upholstery, Back - Recliner - Vinyl	92
Upholstery, Back - Vinyl (Non- Recliner)	80
Upholstery, Headrest and Pillows	94
Wheel Lock Assembly - 4-Pole Motors	189
Wheel Lock Assembly - Gearless/Brushless	190

TABLE of CONTENTS

Description	Page Number
Wheels, Drive Wheel for Free Wheel Hubs (4-Pole Motors Only)	180
Wheels, Drive Wheel for GB TrueTrack Heavy Duty (TTHD) Motors	182
Wheels, Drive Wheel for Non-Free Wheel Hubs (4-Pole & GB Non-Heavy Duty Motors)	178
Wheels, Free Wheel Hub Kits (4-Pole Motors Only)	187
Wheels, Free Wheel Hub Mount and Hardware (4-Pole Motors Only)	186
Wheels, Non-Free Wheel Hub Mount and Hardware (4-Pole & GB Non-Heavy Duty Motors)	184

A: READ THIS FIRST (THIS CATALOG IS DIFFERENT!)

The Storm Series 3G[®] Arrow[®], Ranger X[™] and Torque[™] SP/SE/3 parts catalog information is now divided into three separate catalogs.

The Form Numbers and Cover Titles are listed below.

Form # 00-191

Storm Series 3G
& (Elevating Seat ESS6-STM*)
Arrow
Ranger X
Torque SP/SE/3
Powered Wheelchairs

Form # 06-100

Storm Series 3G
Front Riggings & MKIV Electronics

Form # 06-110

MK6i Electronics
(MK6i was introduced on or about 10/9/06)

Use all three form numbers to order a “complete” Parts Catalog

* Elevating Seat Option ESS6-STM for ADJASBA & VAN Seats was discontinued 10/16/06

Frame Finishes, Touch-Up Paints and Upholstery Options

Frame Finishes and Touch-Up Paint

Color Number	Part Number	Bottle Size	Frame Finish
08P	1031456	.6 oz.	Deep Purple
17P	1046319	.6 oz.	Cobalt Blue
22P	1033376	.6 oz.	Anthracite
24P	1031450	.6 oz.	Wet Black
29P	1031447	.6 oz.	White
30P	N/A	N/A	Sunny Yellow
33P	1031455	.6 oz.	Red
34P	1046327	.6 oz.	Flat Black
60P	N/A	N/A	Silver Metallic
61P	1046321	.6 oz.	Electric Red
62P	1046320	.6 oz.	Electric Blue
66P	1046322	.6 oz.	Electric Purple
69P	1101320-NLA	.6 oz.	Teflon Black
71P	N/A	N/A	Silver Vein
80P	1073892	.6 oz.	Evergreen with Navy
83P	1073895	.6 oz.	Royal Blue with Grape
84P	1073896	.6 oz.	Lavender
101P	1101325	.6 oz.	Jeweled Green
102P	1101327	.6 oz.	Denim Blue
103P	1101324	.6 oz.	Mocha Frost
104P	1101316	.6 oz.	Electric Teal
105P	1101326	.6 oz.	Midnight Blue
115P	1133371	.6 oz.	Black Prism
116P	1133372	.6 oz.	Sunkissed Orange
117P	1133373	.6 oz.	Tangerine Red
118P	1133374	.6 oz.	Fruit Fusion
119P	1133375	.6 oz.	Bubblegum Pink
120P	1133376	.6 oz.	Grape Madness
121P	1133377	.6 oz.	Lolly Pop Blue
122P	1133378	.6 oz.	Cosmic Blue
123P	1133379	.6 oz.	Celestial Purple
124P	1133380	.6 oz.	Vivid Violet
125P	1133381	.6 oz.	Emerald Green
126P	1133382	.6 oz.	Shamrock Green
127P	1133383	.6 oz.	Grasshopper Green

Frame Finishes, Touch-Up Paints and Upholstery Options

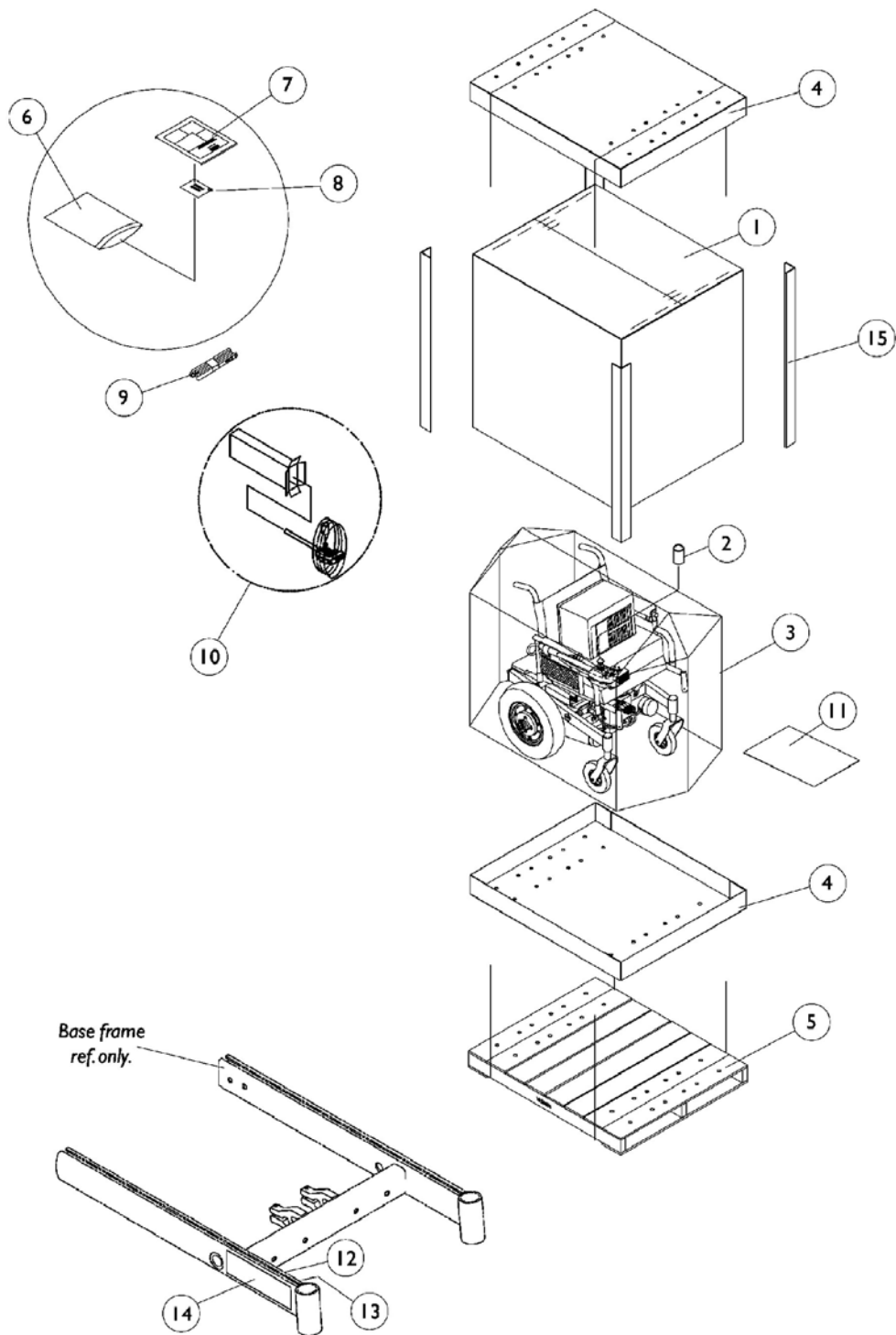
Sparkle Frame Finishes

Color Number	Frame Finish
88P	Wet Black with Twilight Sparkle

Upholstery Options

Vinyl Color	Nylon Color
U67 Black	U240 Black

Packaging, Literature and Decals



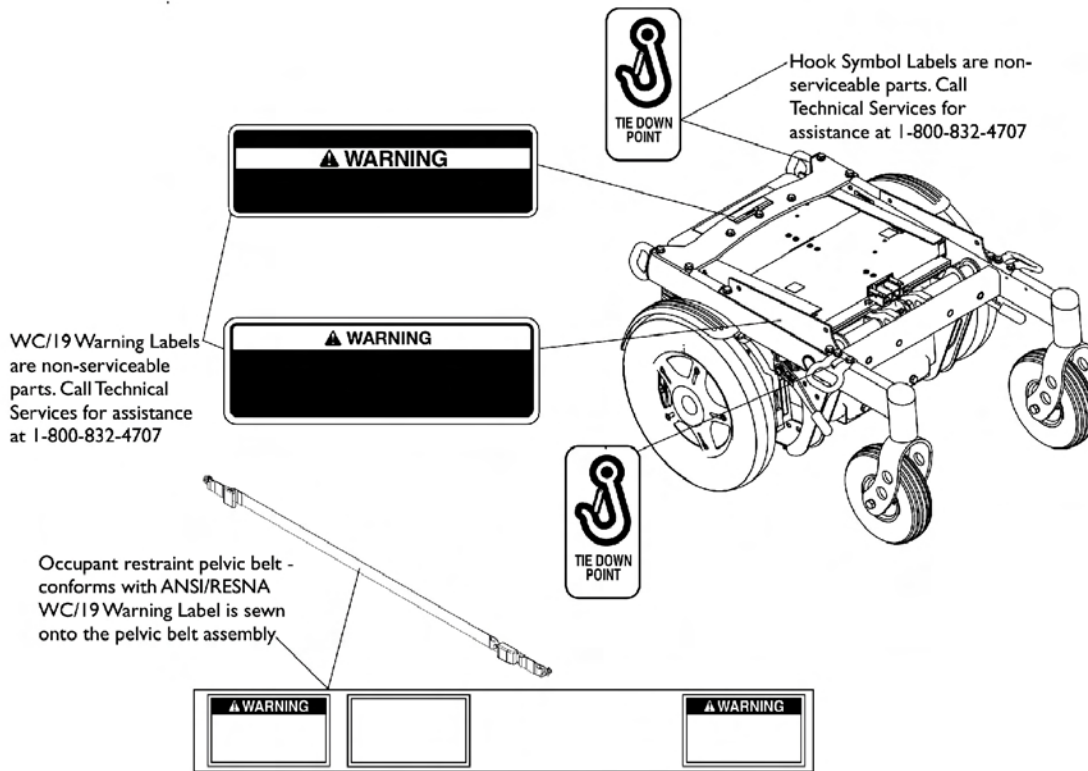
Packaging, Literature and Decals

Item Number	Note	Part Number	Description	Quantity Per	
				Package	Assembly
1	A	1030364	Carton, Cover	1	1
1	B	1031682	Carton, Cover	1	1
1	C	1036028	Carton, Cover	1	1
1	D	1030365	Carton, Cover	1	1
2		1043198-NLA	Tube, Paper	1	1
3		1015609-NLA	Bag, Poly (28" W x 44" D x 80" H)	1	1
4	H	1030362	Carton, Tray	1	2
4	I	1036027	Carton, Tray	1	2
5	K	See Note	See Footnote	1	1
6		1021149	Bag, Poly Zip-Lip (13" Long x 9" Wide)	1	1
7		1134791	Manual, Owner's 3G Storm w/ MKIV Electronics	1	1
7		1143151	Manual, Owner's 3G Storm Base w/ MK6i Electronics	1	1
7		1143192	Manual, Owner's ADJASBA Seat w/ MK6i Electronics	1	1
7		1143195	Manual, Owner's Van Seat's w/ MK6i Electronics	1	1
8		00077X031	Warranty Card	1	1
9		50000X121	Strap, Battery Lift	1	1
10		1012001	Carton, Joystick	1	1
11		40131X161	Insert, Plain Pad	1	1
12		1035900	Decal, Transportation	1	1
13		1119281	Name Plate, Patent Numbers	1	1
14		1133255	Decal, Torque SP Yellow	1	2
14	L	1144627	Decal, Torque SP Black	1	2
14		1146486-NLA	Decal, Torque SE Yellow	1	2
14	L	1146487-NLA	Decal, Torque SE Black	1	2
14		1151551	Decal, Torque 3 Yellow	1	2
14	L	1151552	Decal, Torque 3 Black	1	2
14		1133253	Decal, Arrow Yellow	1	2
14	L	1144625	Decal, Arrow Black	1	2
14		1133254	Decal, Ranger X Yellow	1	2
14	L	1144626	Decal, Ranger X Black	1	2
15	A	1115174	Carton, Corner Reinforcement	1	2
15	B	1129589	Carton, Corner Reinforcement	1	2
15	C	1129590	Carton, Corner Reinforcement	1	2
	F,G	1104820	Decal Package, Torque SP Yellow	1	1
	F,G,L	1144630	Decal Package, Torque SP Black	1	1
	F,G	1146488-NLA	Decal Package, Torque SE Yellow	1	1
	F,G,L	1146489-NLA	Decal Package, Torque SE Black	1	1
	F,G	1151553	Decal Package, Torque 3 Yellow	1	1
	F,G,L	1151554	Decal Package, Torque 3 Black	1	1
	F,G	1104818	Decal Package, Arrow Yellow	1	1
	F,G,L	1144628	Decal Package, Arrow Black	1	1
	F,G	1104819	Decal Package, Ranger X Yellow	1	1

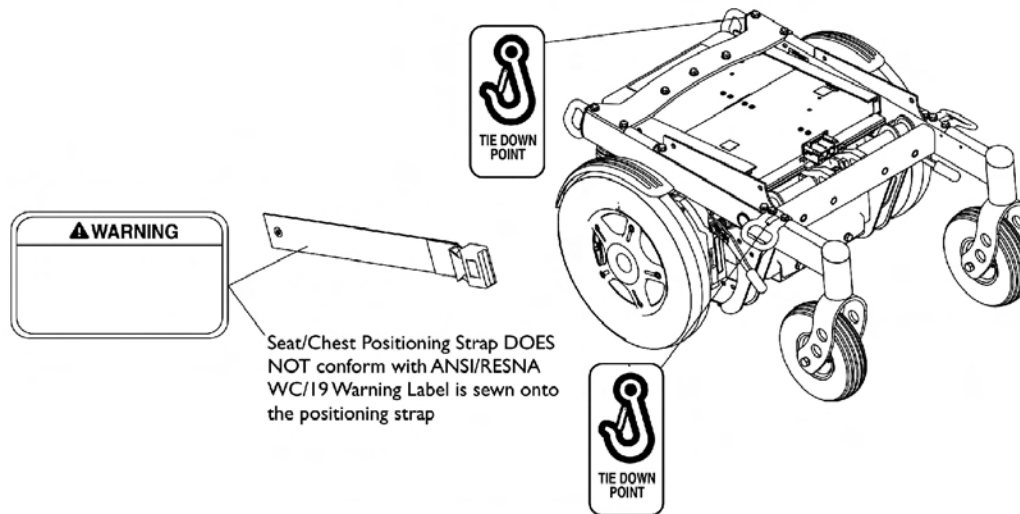
Packaging, Literature and Decals

Item Number	Note	Part Number	Description	Quantity Per	
				Package	Assembly
	F,G,L	1144629	Decal Package, Ranger X Black	1	1
	E,G	1079515	Kit, T-Nut with Instruction Sheet	1	1
	G,J	1104863	Cover Package, Frame Rail (Right/Left)	6	1
<p>NOTE: A - 12" W - 20" W Non-Recliner, Extended and H.B. Captain Seats 18" W B - 16" W - 20" W Recliner and 16" W - 20" W Non-Recliner w/Medium/Tall Seat-to-Floor C - 21" W - 24" W Non-Recliner and Recliner, H.B. Captain Seat 22" W D - Base only and all A.S.B.A. seat only models E - Used with Storm base only F - Decal package includes 2 ea. model, 1 ea. transportation and 1 ea patent numbers decals. G - Not Shown H - 12" W - 20" W Chairs and Base Only I - 21" W - 24" W Chairs J - 3 each Right and Left K - Skid not supplied L - Black Decal is used whenever frame color 30P, Sunny Yellow is ordered.</p> <p>NOTE: When adjusting or replacing parts, please refer to your Owner's Manual for assistance.</p>					

Label Locations For TRRO and TRBKTS Options



TRRO Option Label Locations



TRBKTS Option Label Locations

TRRO and TRBKTS Option Clarification Reference

TRRO and TRBKTS Option was introduced 12/19/05 as an On-Chair option only.

About Transport Ready Packages

TRRO includes four factory-installed transport brackets and a wheelchair anchored pelvic belt. **TRRO** has been crash-tested in accordance with ANSI/RESNA WC Vol. 1 Section 19 Frontal Impact Test requirements for wheelchairs with a 168 lb. Crash dummy, which corresponds to a person with weight of 114 to 209 lbs.

TRBKTS includes four factory-installed wheelchair transport brackets. **TRBKTS** has not been crash-tested in accordance with WC 19. Use these transport brackets only to secure an unoccupied wheelchair during transport.

Only use the transport brackets included with **TRRO** and **TRBKTS** for the purpose described in the appropriate Owner's Operator and Maintenance Manual.

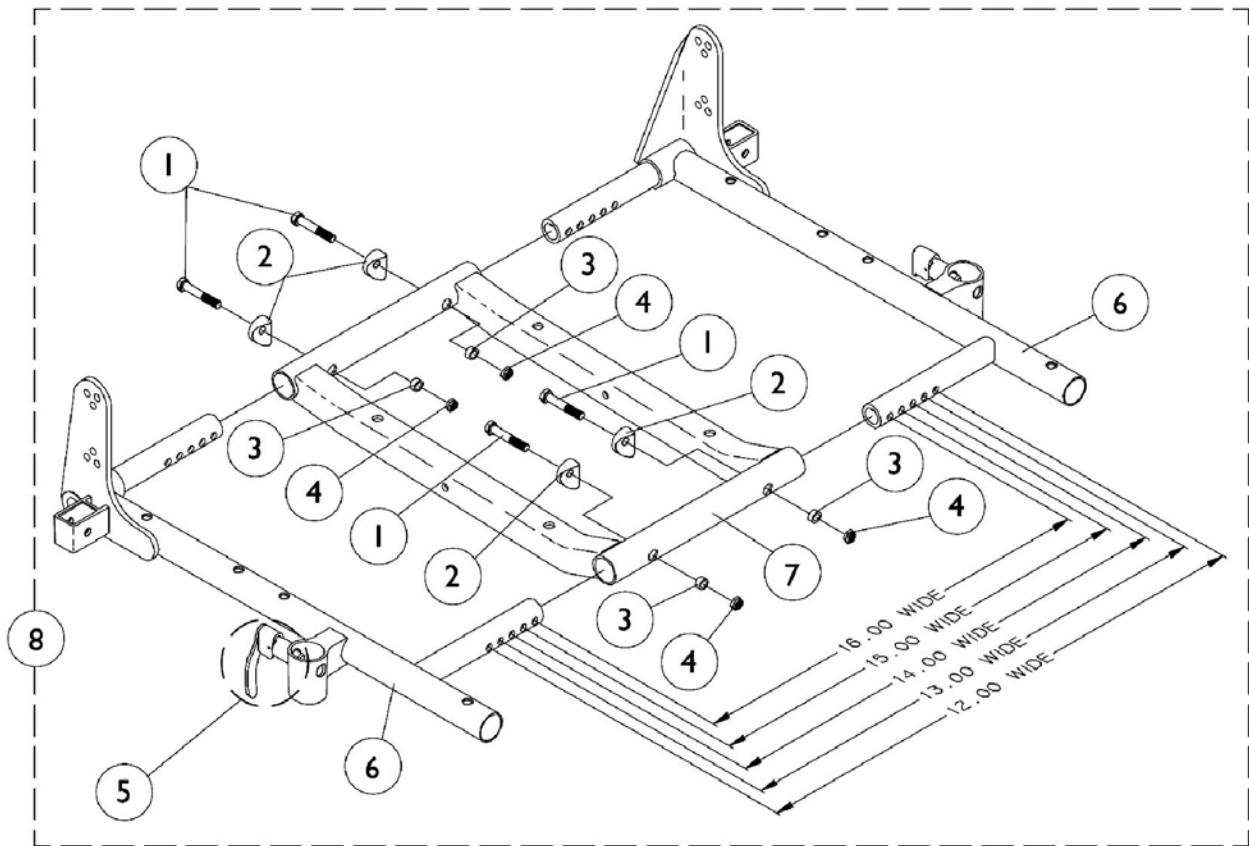
Battery support brackets **MUST** be installed at all times. Otherwise, the wheelchair will not be WC/19 compliant. Refer to Removing/Installing the Batteries From/Into the Wheelchair in the appropriate Owner's Operator and Maintenance Manual.

As of this date, the Department of Transportation has not approved any tie-down systems for transportation of a user while in a wheelchair, in a moving vehicle of any type. It is Invacare's position that users of wheelchairs should be transferred into appropriate seating in vehicles for transportation and use be made of the restraints made available by the auto industry. Invacare cannot and does not recommend any wheelchair transportation systems.

NOTE: ANSI = American National Standards Institute, RESNA = Rehabilitation Engineering and Assistive Technology Society of North America.

ASBA Seat Frame and Hardware (12"-15" Wide) (Before 7/5/05)

The 16" wide setting is not used for 3G Storm Series models



ASBA Seat Frame and Hardware (12"-15" Wide) (Before 7/5/05)

The 16" wide setting is not used for 3G Storm Series models

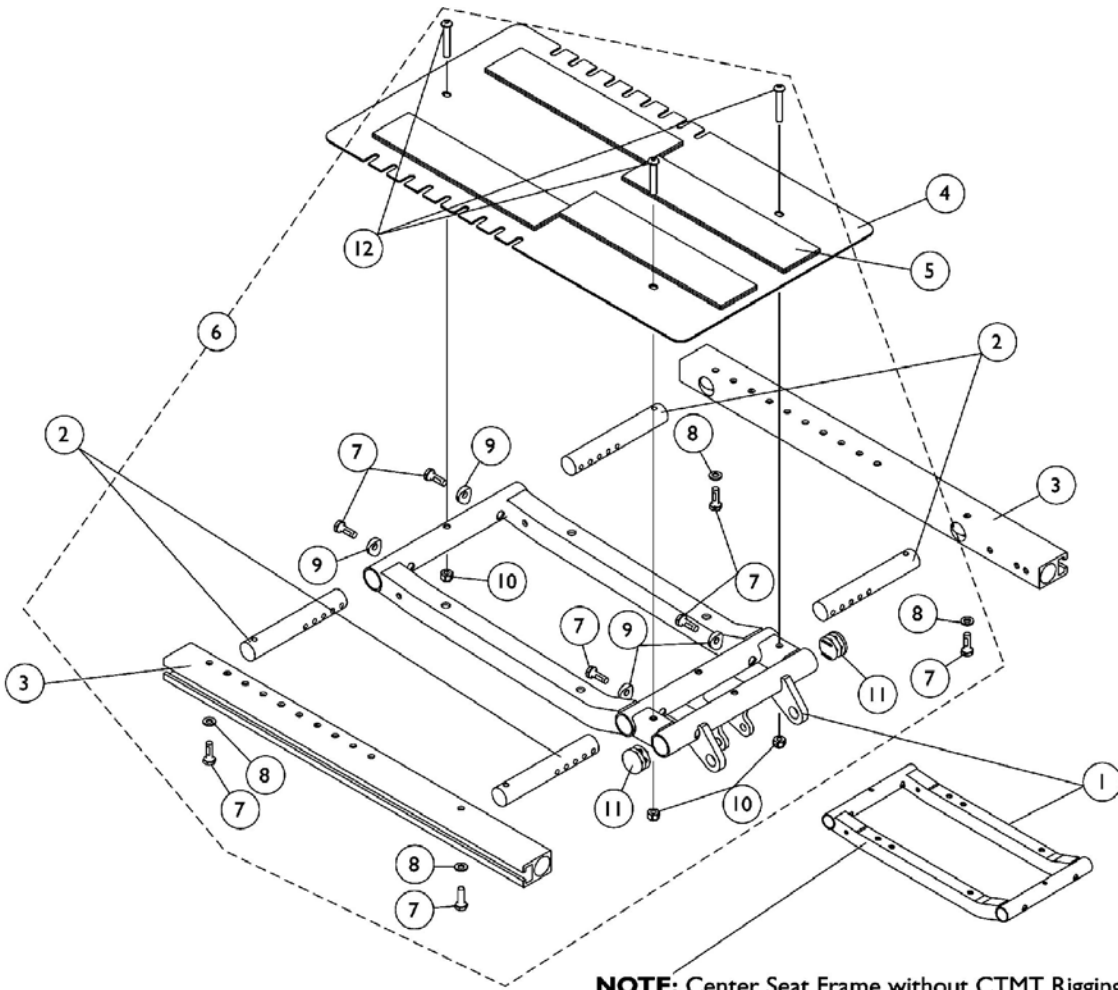
Item Number	Note	Part Number	Description	Quantity Per	
				Package	Assembly
1		1037610	Screw, Hex Head (1/4-20 x 1-5/8")	1	4
2		1026099	Spacer, Coved (1/4 x 11/16 x 1/2")	1	4
3		1047449	Spacer (1/4 x 3/8 x 3/16")	1	4
4		1025736	Locknut (1/4-20)	1	4
5		47471X074	Spring, Arm Lock	1	1
5		1028594	Pin, Arm Lock	1	1
5		1090768	Kit, Lock Handle w/Rivets (both LT & RT side)	2	1
6-8		See Chart	#'s 6-8 ASBA Seat Frame and Hardware	1	1

#'s 6-8 Seat Frames

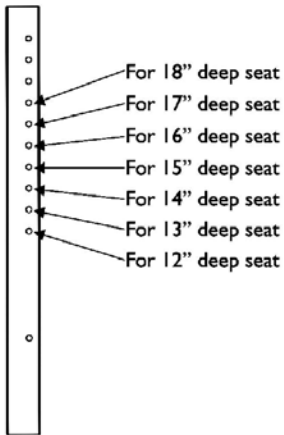
Item Number	Description	12"-13" W 12"-15" D	14"-15" W 12"-15" D	14"-15" W 16"-17" D	14"-15" W 18"-19" D	14"-15" W 20"-21" D	14"-15" W 22" D
6	Seat Frame Right See Note(s) A	1070473	1070473	1070473	1070526	1070528	1070530
6	Seat Frame Left See Note(s) A	1070474	1070474	1070474	1070527	1070529	1070531
7	Seat Frame Center	1070476	1070476	1070476	1070476	1070533	1070533
8	Seat Frame Assembly See Note(s) B	1070469	1070469	1070469	1070534	1070535	1070536

NOTE: A - Seat frame includes item 5 arm lock assembly.
B - Includes items 1-7

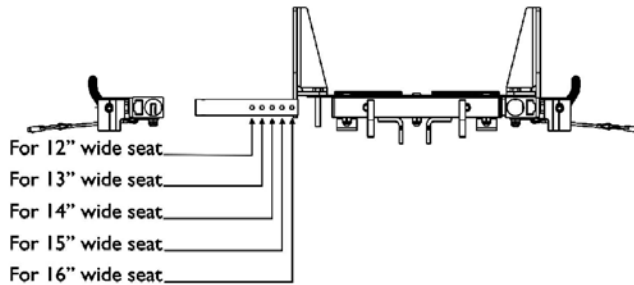
ADJASBA Seat Frame, Seat Pan and Hardware (12"-16" Wide) (After 7/4/05)



NOTE: Center Seat Frame without CTMT Rigging Brackets is used only when ELRPW Front Riggings are ordered for Mk6i electronics in order to attach the Dual Leg Integrated Actuator Module (DLIAM).



Seat Frame Depth Settings

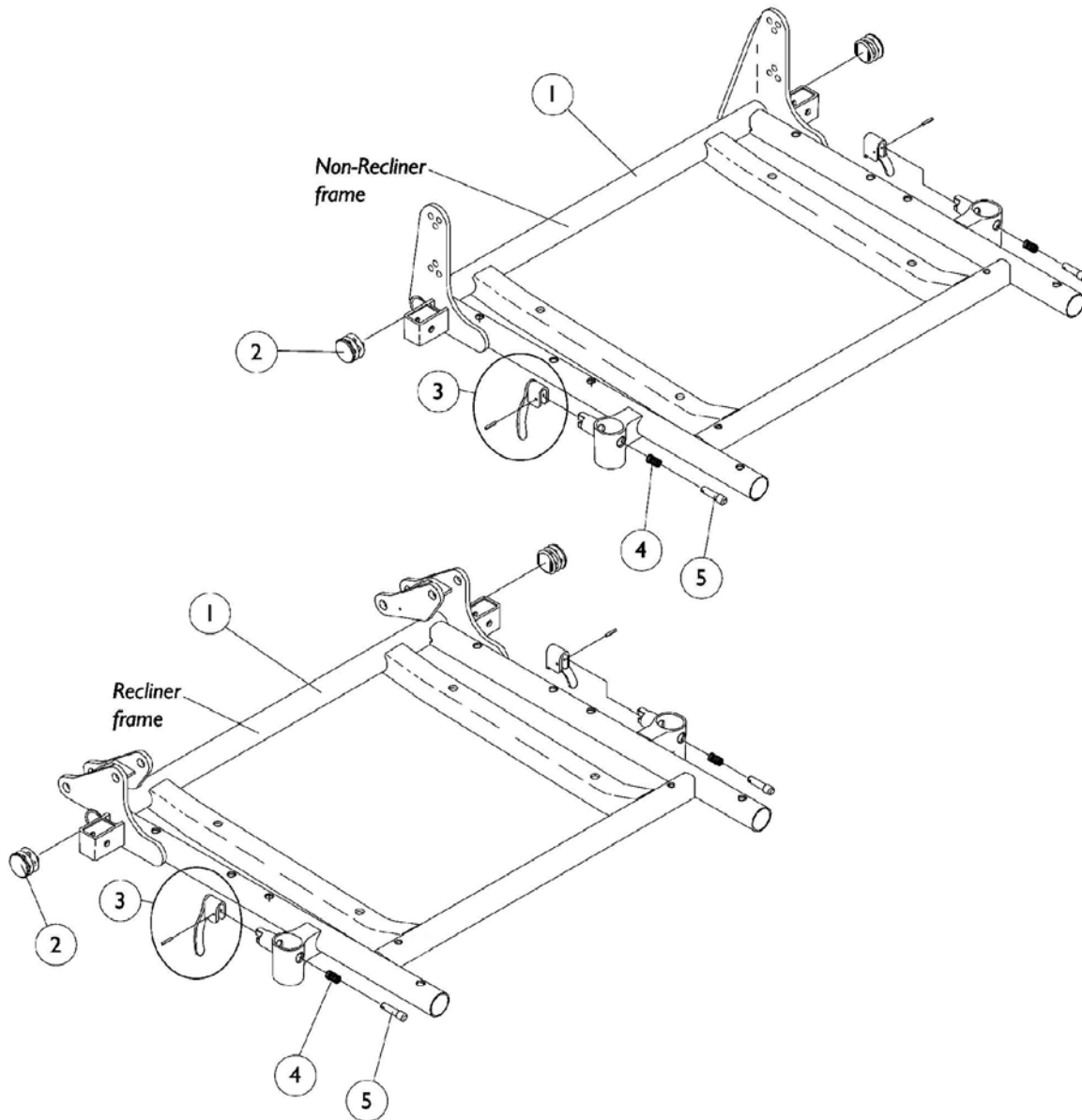


Seat Frame Width Settings

ADJASBA Seat Frame, Seat Pan and Hardware (12"-16" Wide) (After 7/4/05)

Item Number	Note	Part Number	Description	Quantity Per	
				Package	Assembly
1		1121982	Frame, Center Seat	1	1
1	C	1070475	Frame w/o CTMT Brackets, Center Seat	1	1
2		1126126	Crossbar, Seat Frame (12-16" Wide)	1	4
3		1126127	Rail, Side (12-18" Deep)	1	2
4	A	1126144	Seat Pan w/ Hook and Loop Fasteners (12-16" W x 12-18" D)	1	1
5		1039949	Fastener, Hook Adhesive Back (2" x 16")	1	4
5		1044578	Fastener, Loop Adhesive Back (2" x 16")	1	4
6	D,B	1135500	Kit, Seat Frame Assembly Hardware 12"-16" Wide	1	1
7			Screw, Hex Head (1/4-20 x 3/4")	1	8
8			Washer (1/4 x 1/2 x 1/16")	1	4
9			Spacer, Coved (1/4 x 11/16 x 1/2")	1	4
10			Locknut (1/4-20)	1	3
11			Plug Button, Black (1")	1	2
12			Screw, Socket Button Head (1/4-20 x 1-1/2")	1	3
11		1134425	Package, Plug Buttons, Black (1")	10	1
<p>NOTE: A - Includes item 5 B - Includes items 7-12 C - Center Seat Frame without CTMT Rigging Brackets is used only when ELRPW Front Riggings are ordered for Mk6i electronics in order to attach the Dual Leg Integrated Actuator Module (DLIAM). D - item 11 Plug Buttons are not used and only a quantity of 2 for item #12 is required for the Center Seat Frame w/o CTMT Rigging Brackets</p>					

ASBA Seat Frame and Hardware (16"-24" Wide) (Before 7/5/05)



ASBA Seat Frame and Hardware (16"-24" Wide) (Before 7/5/05)

#1 Seat Frame with Hardware

Non-Recliner

Chair Width	16"-17" Depth	18" - 19" Depth	20" - 21" Depth	22" Depth
16" Width	1070672	1070681	1070690	1070699
17" Width	1070673	1070682	1070691	1070700
18" Width	1070674	1070683	1070692	1070701
19" Width	1070675	1070684	1070693	1070702
20" Width	1070676	1070685	1070694	1070703
21" Width	1070677	1070686	1070695	1070704
22" Width	1070678	1070687	1070696	1070705
23" Width	1070679	1070688	1070697	1070706
24" Width	1070680	1070689	1070698	1070707

#1 Seat Frame with Hardware

Recliner

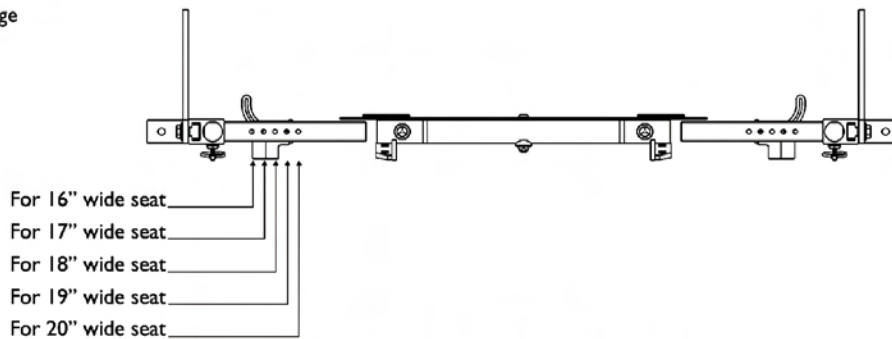
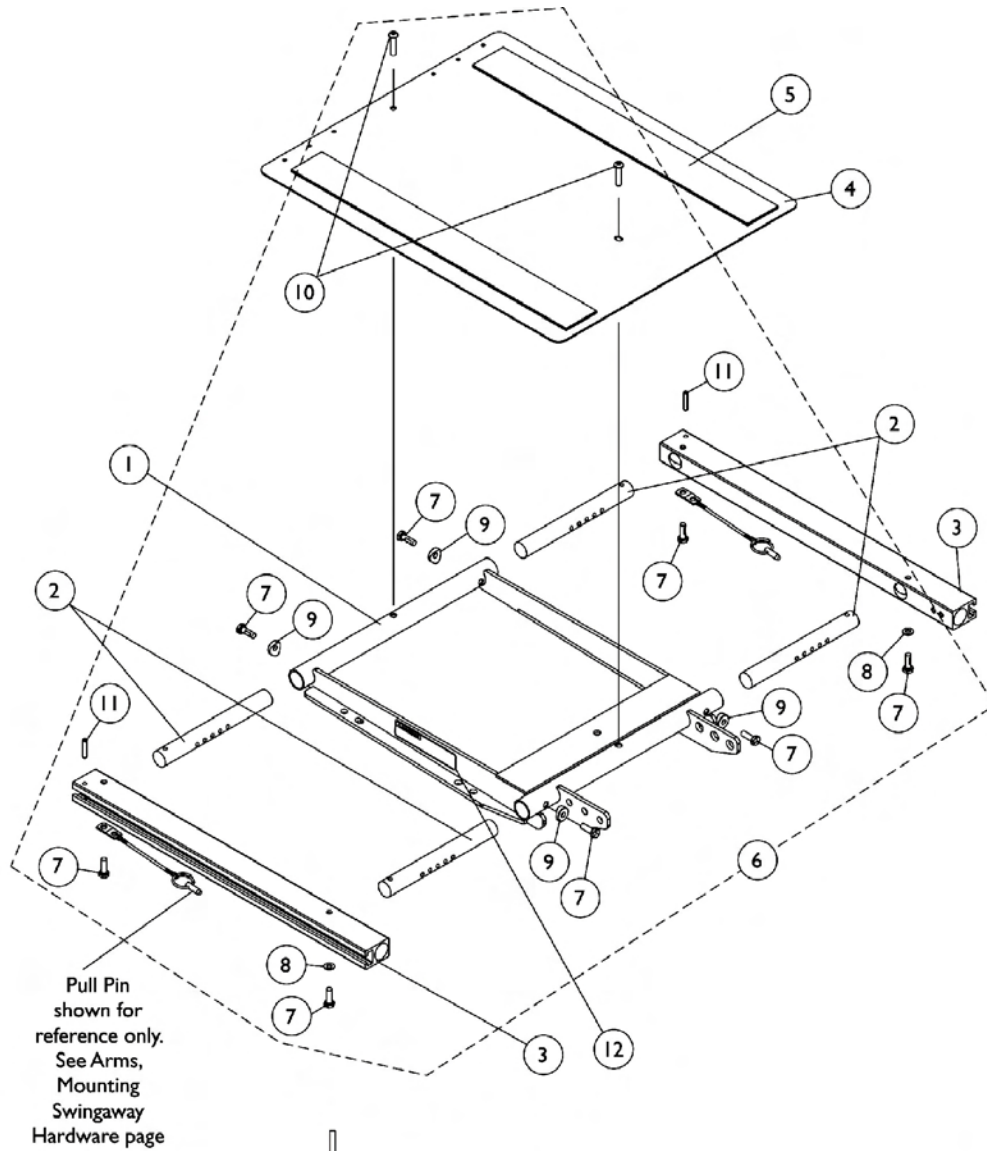
Chair Width	16"-17" Depth	18" - 19" Depth	20" - 21" Depth	22" Depth
16" Width	1070708	1070717	1070726	1070735
17" Width	1070709	1070718	1070727	1070736
18" Width	1070710	1070719	1070728	1070737
19" Width	1070711	1070720	1070729	1070738
20" Width	1070712	1070721	1070730	1070739
21" Width	1070713	1070722	1070731	1070740
22" Width	1070714	1070723	1070732	1070741
23" Width	1070715	1070724	1070733	1070742
24" Width	1070716	1070725	1070734	1070743

ASBA Seat Frame and Hardware (16"-24" Wide) (Before 7/5/05)

Item Number	Note	Part Number	Description	Quantity Per	
				Package	Assembly
1	A	See Chart	#1 Seat Frame with Hardware - Recliner	1	1
1	A	See Chart	#1 Seat Frame with Hardware - Non-Recliner	1	1
2		1029501	Plug Button, Black (1")	1	2
3		1090768	Kit, Lock Handle w/Rivets (both LT & RT side)	2	1
4		47471X074	Spring, Arm Lock	1	2
5		1028594	Pin, Arm Lock	1	2

NOTE: A - Includes seat frame and items 2-5

ADJASBA/ADJRECL Seat Frame, Seat Pan and Hardware (16"-20" Wide) x (16"-22" Deep) (After 7/4/05)

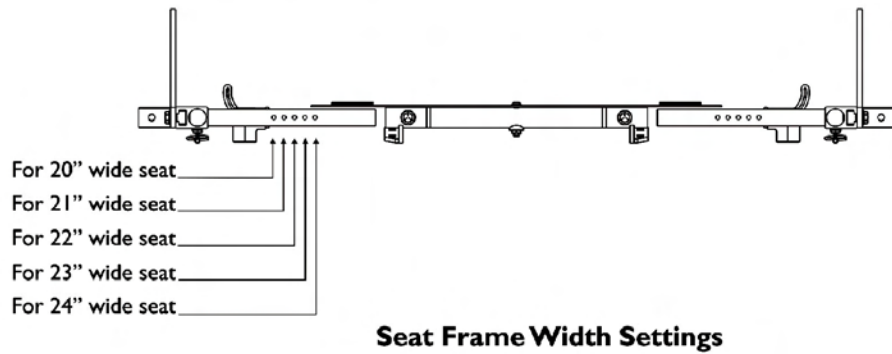
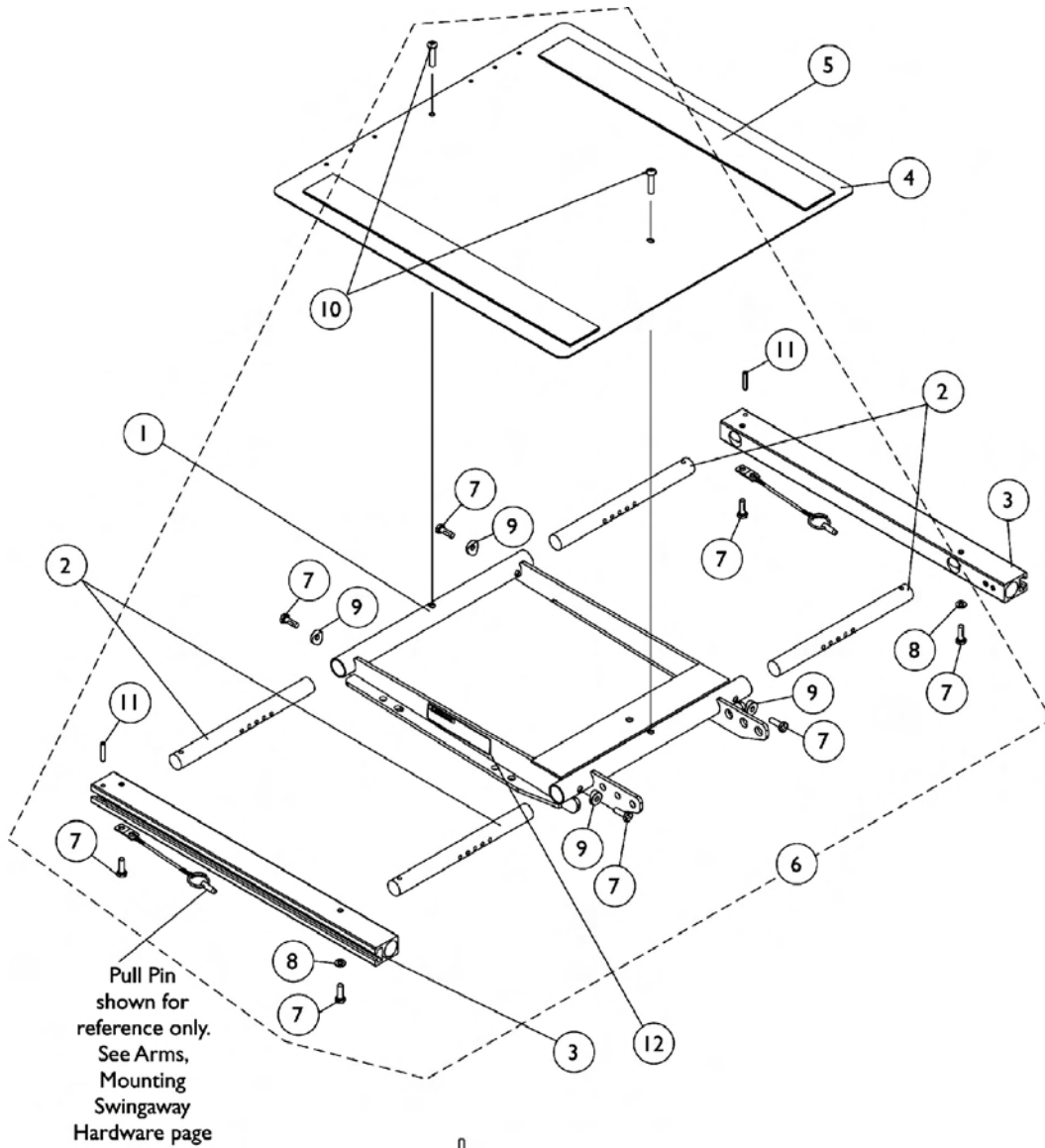


Seat Frame Width Settings

ADJASBA/ADJRECL Seat Frame, Seat Pan and Hardware (16"-20" Wide) x (16"-22" Deep) (After 7/4/05)

Item Number	Note	Part Number	Description	Quantity Per	
				Package	Assembly
1	D	1120288	Frame, Center Seat	1	1
2		1122475	Crossbar, Seat Frame (16"-20" Wide)	1	4
3		1122647	Rail, Seat Frame (16-20" Deep For Formula TRE & 16-19" Deep For ADJASBA)	1	2
3		1122677	Rail, Seat Frame (20-22" Deep For Formula TRE & 19-22" Deep For ADJASBA)	1	2
4		1124386	Seat Pan w/ Hook and Loop Fasteners 16-20" Wide x (16-20" Deep For Formula TRE & 16-19" Deep For ADJASBA)	1	1
4		1124666	Seat Pan w/ Hook and Loop Fasteners 16-20" Wide x (20-22" Deep For Formula TRE & 19-22" Deep For ADJASBA)	1	1
5	A	1043082	Hook Fastener, Adhesive (2" x 18")	1	2
5	A	1044580	Loop Fastener, Adhesive (2" x 18")	1	2
5	B	1043084	Hook Fastener, Adhesive (2" x 22")	1	2
5	B	1044584	Loop Fastener, Adhesive (2" x 22")	1	2
6	C	1135501	Kit, Seat Frame Assembly Hardware	1	1
7			Screw, Hex Head (1/4-20 x 3/4")	1	8
8			Washer (1/4 x 1/2 x 1/16")	1	2
9			Spacer, Coved (1/4 x 11/16 x 1/2")	1	4
10			Screw, Socket Head (1/4-20 x 3/4")	1	2
11			Pin, Roll (3/16 x 1")	1	2
12		1114823	Decal, Seat Adjustment Warning	1	2
NOTE: A - For 16"-19" deep seats B - For 19"-22" deep seats C - Includes items 7-11 D - When ordering Center Seat Frame (item 1), also order 2 ea. Seat Adjustment Warning Decal (item 12).					

ADJASBA/ADJRECL Seat Frame, Seat Pan and Hardware (20"-24" Wide) x (16"-22" Deep) (After 7/4/05)

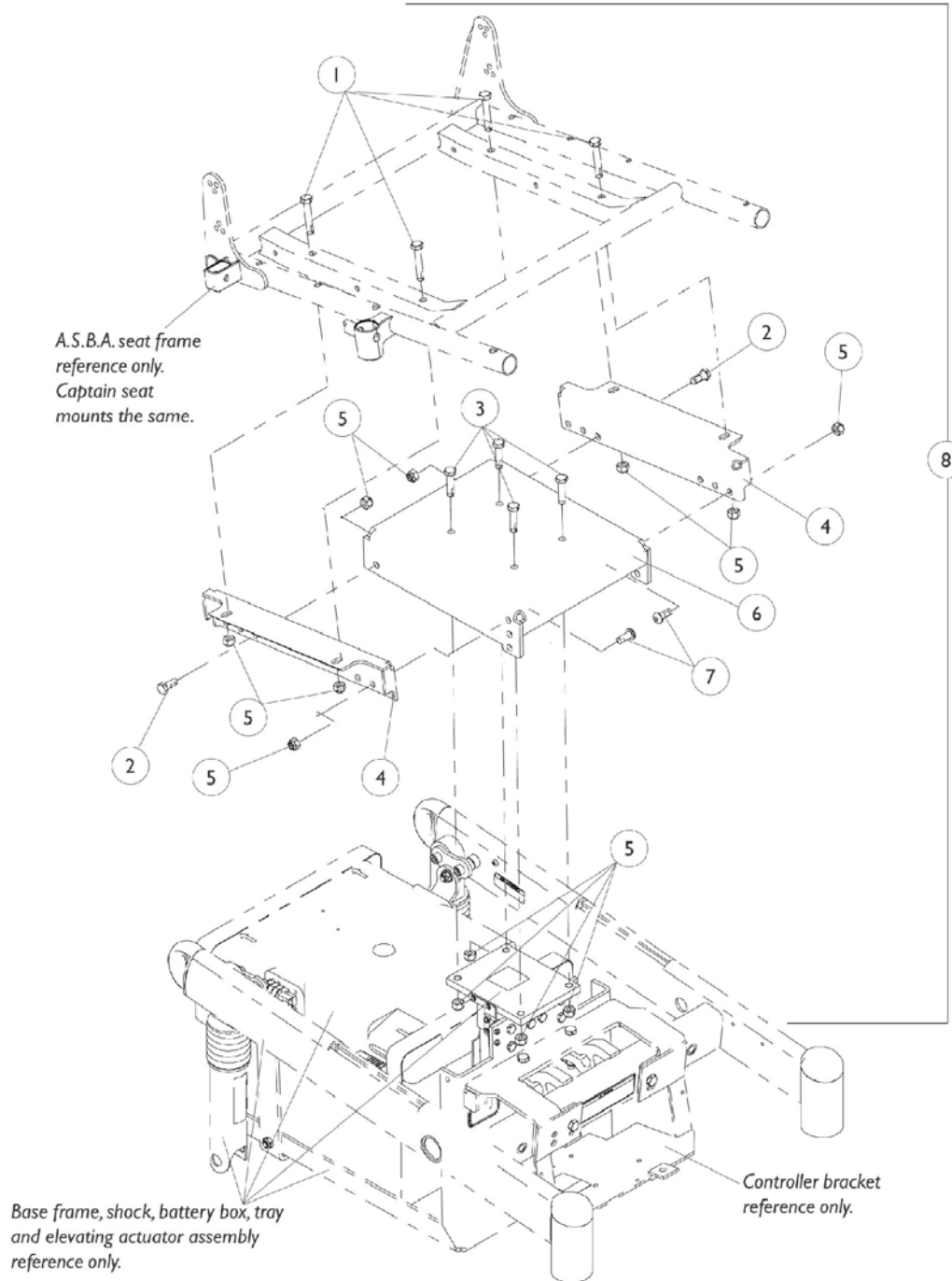


ADJASBA/ADJRECL Seat Frame, Seat Pan and Hardware (20"-24" Wide) x (16"-22" Deep) (After 7/4/05)

Item Number	Note	Part Number	Description	Quantity Per	
				Package	Assembly
1	D	1120288	Frame, Center Seat	1	1
2		1120283	Crossbar, Seat Frame (20"-24" Wide)	1	4
3		1122647	Rail, Seat Frame (16-20" Deep For Formula TRE & 16-19" Deep For ADJASBA)	1	2
3		1122677	Rail, Seat Frame (20-22" Deep For Formula TRE & 19-22" Deep For ADJASBA)	1	2
4		1124388	Seat Pan w/ Hook and Loop Fasteners 20-24" Wide x (16-20" Deep For Formula TRE & 16-19" Deep For ADJASBA)	1	1
4		1124667	Seat Pan w/ Hook and Loop Fasteners 20-24" Wide x (20-22" Deep For Formula TRE & 19-22" Deep For ADJASBA)	1	1
5	A	1043082	Hook Fastener, Adhesive (2" x 18")	1	2
5	A	1044580	Loop Fastener, Adhesive (2" x 18")	1	2
5	B	1043084	Hook Fastener, Adhesive (2" x 22")	1	2
5	B	1044584	Loop Fastener, Adhesive (2" x 22")	1	2
6	C	1135501	Kit, Seat Frame Assembly Hardware	1	1
7			Screw, Hex Head (1/4-20 x 3/4")	1	8
8			Washer (1/4 x 1/2 x 1/16")	1	2
9			Spacer, Coved (1/4 x 11/16 x 1/2")	1	4
10			Screw, Socket Head (1/4-20 x 3/4")	1	2
11			Pin, Roll (3/16 x 1")	1	2
12		1114823	Decal, Seat Adjustment Warning	1	2
NOTE: A - For 16"-19" deep seats B - For 19"-22" deep seats C - Includes items 7-11 D - When ordering Center Seat Frame (item 1), also order 2 ea. Seat Adjustment Warning Decal (item 12).					

(ASBA Seat Before 7/5/05) and Captain Seat Frame Mounting Hardware For Elevating Seat

Discontinued 10/16/06. No longer offered on Van Seats for 3G Storm Series



(ASBA Seat Before 7/5/05) and Captain Seat Frame Mounting Hardware For Elevating Seat

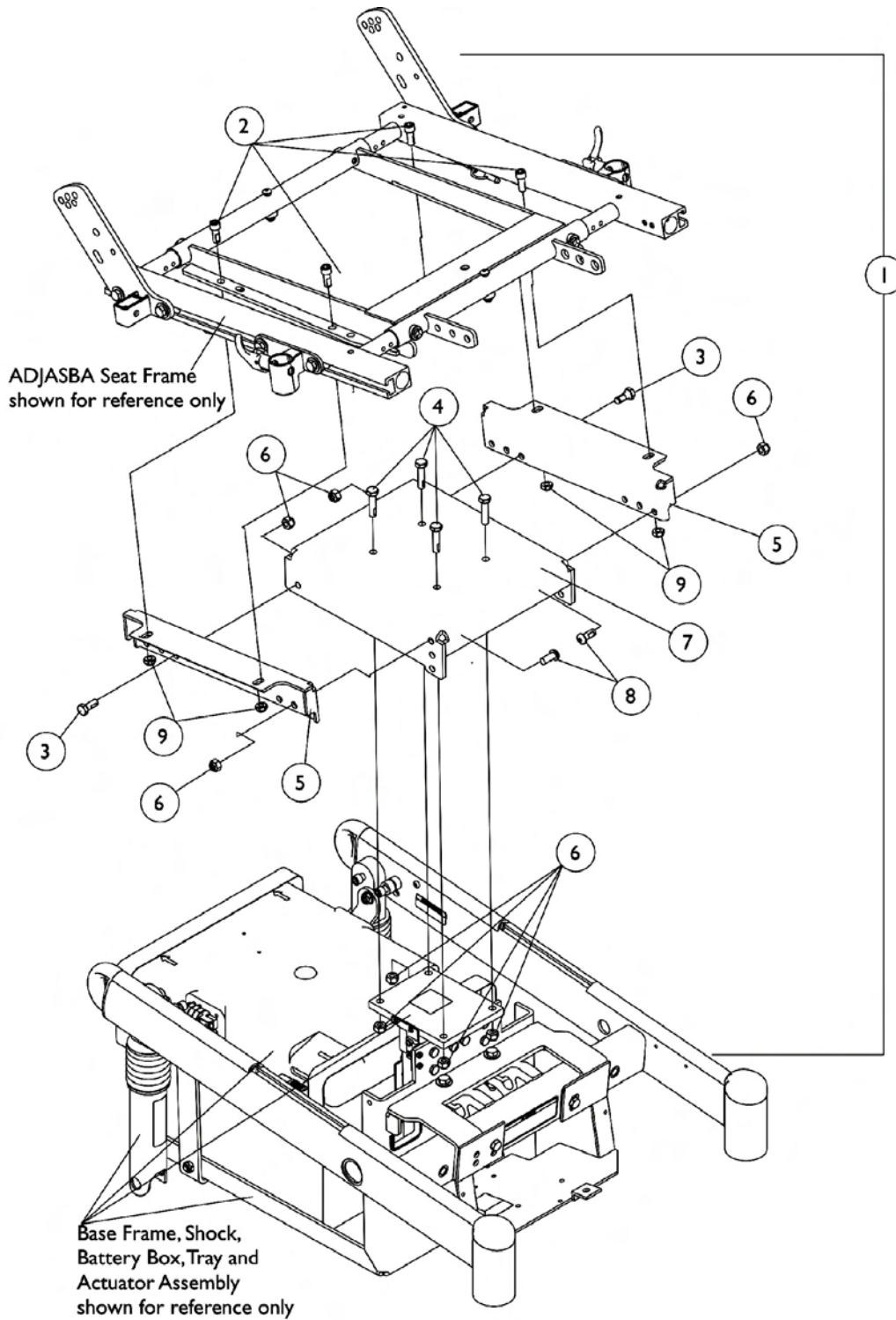
Discontinued 10/16/06. No longer offered on Van Seats for 3G Storm Series

Item Number	Note	Part Number	Description	Quantity Per	
				Package	Assembly
1		1043627	Screw, Hex Head Cap with Patch (5/16-18 x 1-3/4")	1	4
2		1039860	Screw, Hex Head Cap with Patch (5/16-18 x 3/4")	1	2
3		7930337	Screw, Hex Head Cap with Patch (5/16-18 x 1-1/4")	25	4
4		1106521	Bracket, Seat Frame Support	1	2
5		1026158	Locknut (5/16-18)	1	12
6		1106522	Bracket, Seat Frame Mounting	1	1
7		1065215	Screw, Socket Button Head w/ Patch (5/16-18 x 3/4")	1	2
8	A	1108224	Hardware, Seat Frame Mounting	1	1

NOTE: A - Includes items 1-7

ADJASBA Seat Frame Mounting Hardware For Elevating Seat (16"-22" Wide) (After 7/4/05)

Discontinued 10/16/06. After 10/15/06, Refer to Formula CG Powered Seating System Parts Catalog Form #06-106 for the Elevate Option components for 3G Storm Series.



ADJASBA Seat Frame Mounting Hardware For Elevating Seat (16"-22" Wide) (After 7/4/05)

Discontinued 10/16/06. After 10/15/06, Refer to Formula CG Powered Seating System Parts Catalog Form #06-106 for the Elevate Option components for 3G Storm Series.

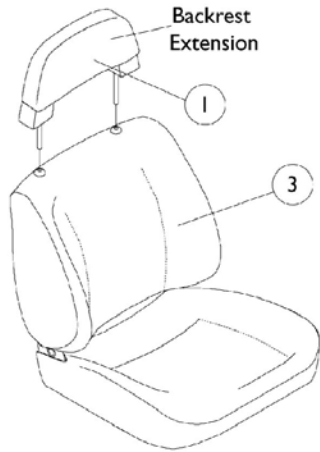
Item Number	Note	Part Number	Description	Quantity Per	
				Package	Assembly
1	A	1134496	Kit, Seat Frame Mounting Hardware - Elevate	1	1
2			Screw, Socket Head Cap (5/16-18 x 3/4")	1	4
3			Screw, Hex Head Cap with Patch (5/16-18 x 3/4")	1	2
4			Screw, Hex Head Cap with Patch (5/16-18 x 1-1/4")	1	4
5			Bracket, Seat Frame Support	1	2
6			Locknut (5/16-18)	1	8
7			Bracket, Seat Frame Mounting	1	1
8			Screw, Socket Button Head w/ Patch (5/16-18 x 3/4")	1	2
9			Locknut (5/16-18)	1	4

NOTE: A - Includes items 2-9

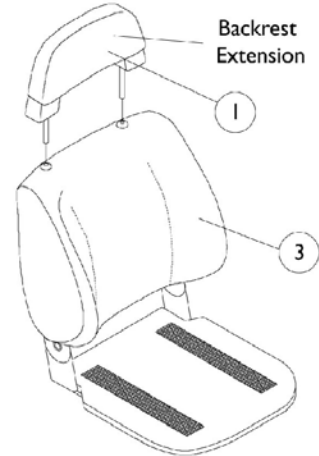
Captain Seat Assembly

(Before 11/1/01)

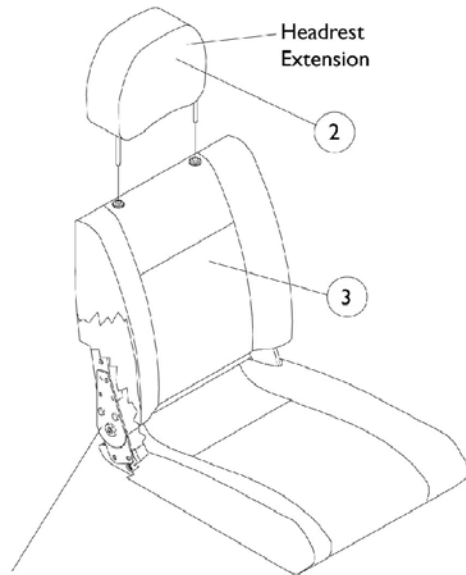
NOTE: Captain Seats incorporate an assisted recline of approximately 90 -114 degrees for extended backs and high back 22" wide models. High back 18" models are 90-170 degrees.



Extended Back 18" Wide

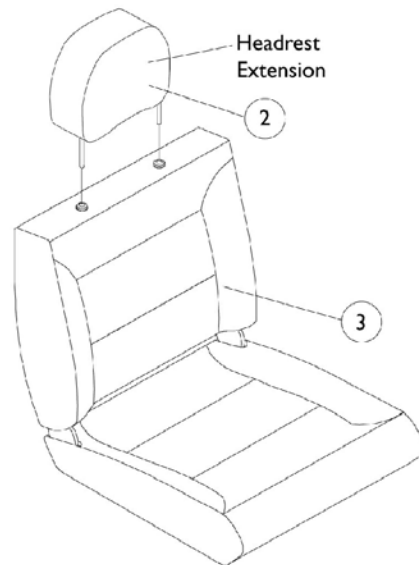


Extended Back, Forward Folding 18" Wide with Solid Seat Base



NOTE: High back 18" wide captain seat includes the actuator hardware. See seat frame and actuator hardware page.

High Back 18" Wide with Full Recline



High Back 22" Wide with Semi Recline

Captain Seat Assembly (Before 11/1/01)

NOTE: Captain Seats incorporate an assisted recline of approximately 90 -114 degrees for extended backs and high back 22" wide models. High back 18" models are 90-170 degrees.

Item Number	Backrest/Headrest Extensions and Captain Seat Assemblies	Grey Fabric Vinyl	All Grey Vinyl	Brunswick Buff All Tan Vinyl
1.	Backrest, Extended Back	1090374-NLA See Note(s) A	1090375-NLA See Note(s) A	1090376-NLA
1.	Backrest, Extended Back Forward Folding	1090374-NLA See Note(s) A	N/A	N/A
2.	Headrest, High Back (18 and 22" W)	1090379-NLA See Note(s) A	1090380-NLA See Note(s) A	N/A
3.	18" W Extended Back	1090371-NLA See Note(s) C	1090372-NLA See Note(s) C	1090373-NLA See Note(s) C
3.	18" W Extended Back Forward Folding	1090370-NLA See Note(s) C	N/A	N/A
3.	18" W High Back w/ Full Recline	1091068-NLA See Note(s) C, B	1091069-NLA See Note(s) C	N/A
3.	22" W High Back w/ Semi Recline	1098287-NLA	N/A	N/A

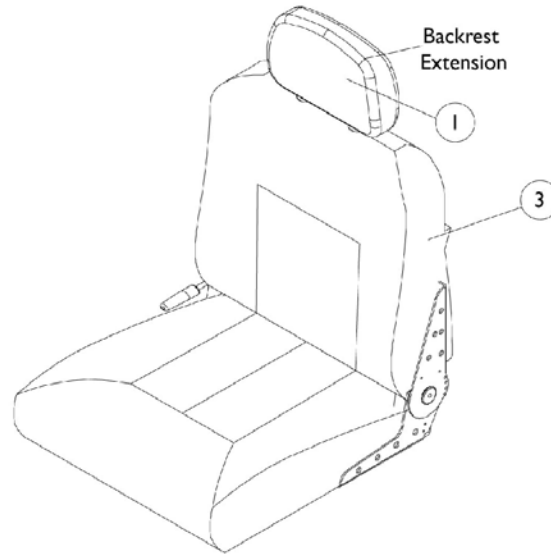
NOTE: A - 4-3/4" Backrest/Headrest Post Spacing
 B - High back 18" wide captain seat includes all actuator attaching hardware
 C - For captain seats marked NLA, use captain seats dated after 10/31/01

NOTE: When converting from an extended back captain seat to an 18" wide high back captain seat, the recliner wiring harness with sensor cable must be ordered as well.

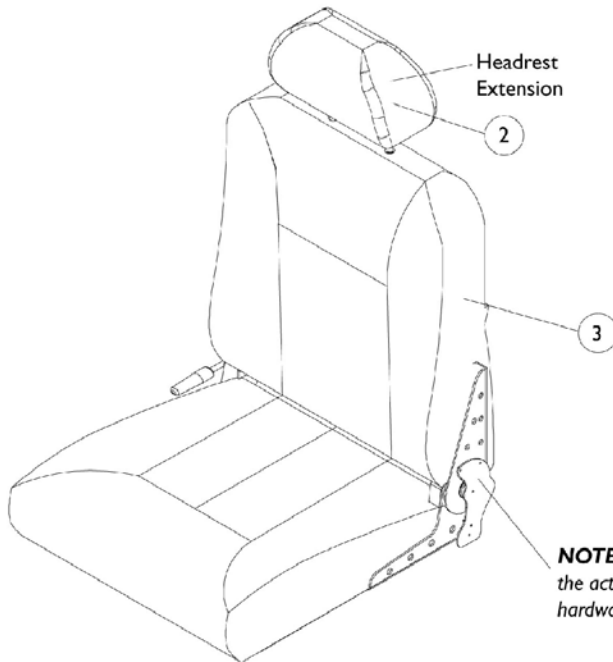
Captain Seat Assembly

(After 10/31/01)

NOTE: Captain Seats recline approximately 90-114 degrees for semi recline backs and 90-170 degree for full recline back models. Adjustable depths are (16, 17, 18" deep for 18" wide seats) and (18, 19, 20" deep for 20 and 22" wide seats.) Recline release levers are standard on the right side. Left side release levers can be ordered as a special with a new captain seat.



Semi Recline Captain Seat



Full Recline Captain Seat

NOTE: Full recline captain seats **do not include** the actuator hardware. See seat frame and actuator hardware page.

Captain Seat Assembly (After 10/31/01)

NOTE: Captain Seats recline approximately 90-114 degrees for semi recline backs and 90-170 degree for full recline back models. Adjustable depths are (16, 17, 18" deep for 18" wide seats) and (18, 19, 20" deep for 20 and 22" wide seats.) Recline release levers are standard on the right side. Left side release levers can be ordered as a special with a new captain seat.

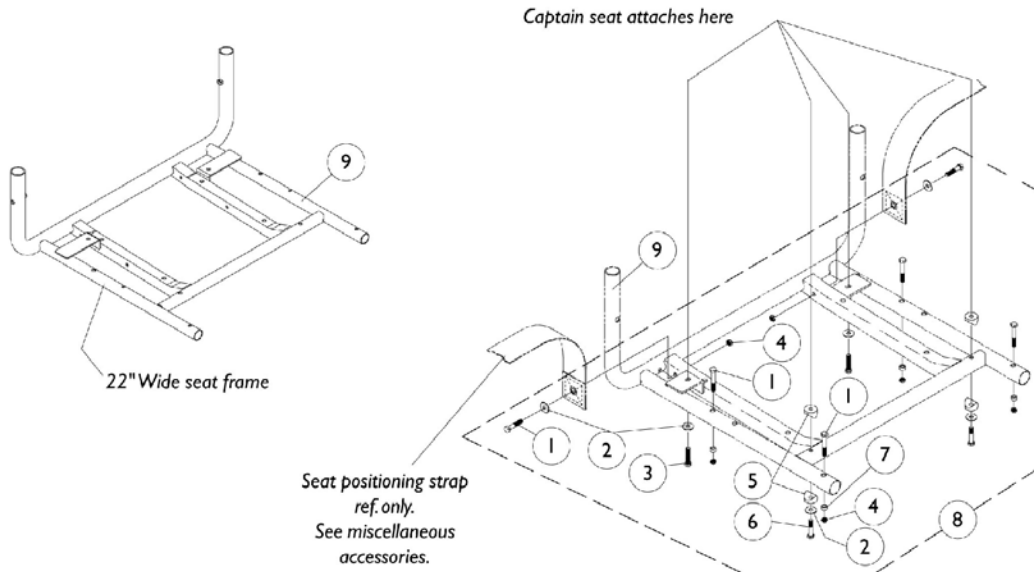
Item Number	Backrest/Headrest Extensions and Captain Seat Assemblies	All Grey Fabric	All Grey Vinyl	All Tan Vinyl
1.	Backrest (Semi Recline)	1106969	1108408	1106968
2.	Headrest (For Full Recline)	1106967	1108409	1106966
3.	18" Wide Semi Recline with Backrest	1109254	1109242	1109248
3.	18" Wide Full Recline with Headrest	1109257	1109245	1109251
3.	20" Wide Semi Recline with Backrest	1109255	1109243	1109249
3.	20" Wide Full Recline with Headrest	1109258	1109246	1109252
3.	22" Wide Semi Recline with Backrest	1109256	1109244	1109250
3.	22" Wide Full Recline with Headrest	1109247	1109247	1109253

NOTE: When converting from a semi recline to a full recline captain seat, a sensor cable must be ordered as well.

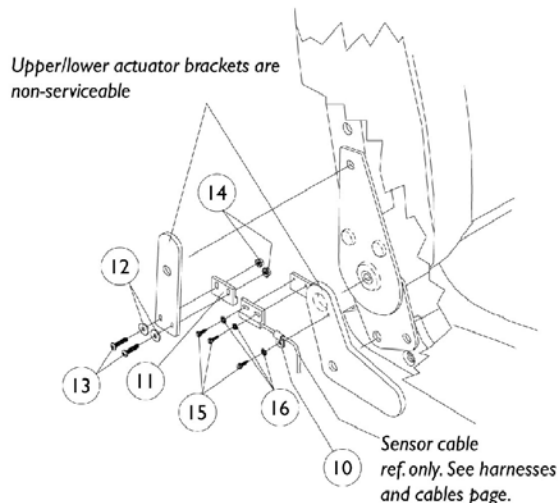
NOTE: Actuator mounting hardware is not included with a full recline captain seat. See Actuator mounting hardware.

NOTE: New seat mounting hardware is required when converting a captain seat made before 11/01/01 to a captain seat made after 10/31/01.

Captain Seat Frame and Actuator Hardware (Before 11/01/01)



Frame and Seat Attaching Hdwr. For Extended Backs 18" Wide and High Backs 18" and 22" Wide

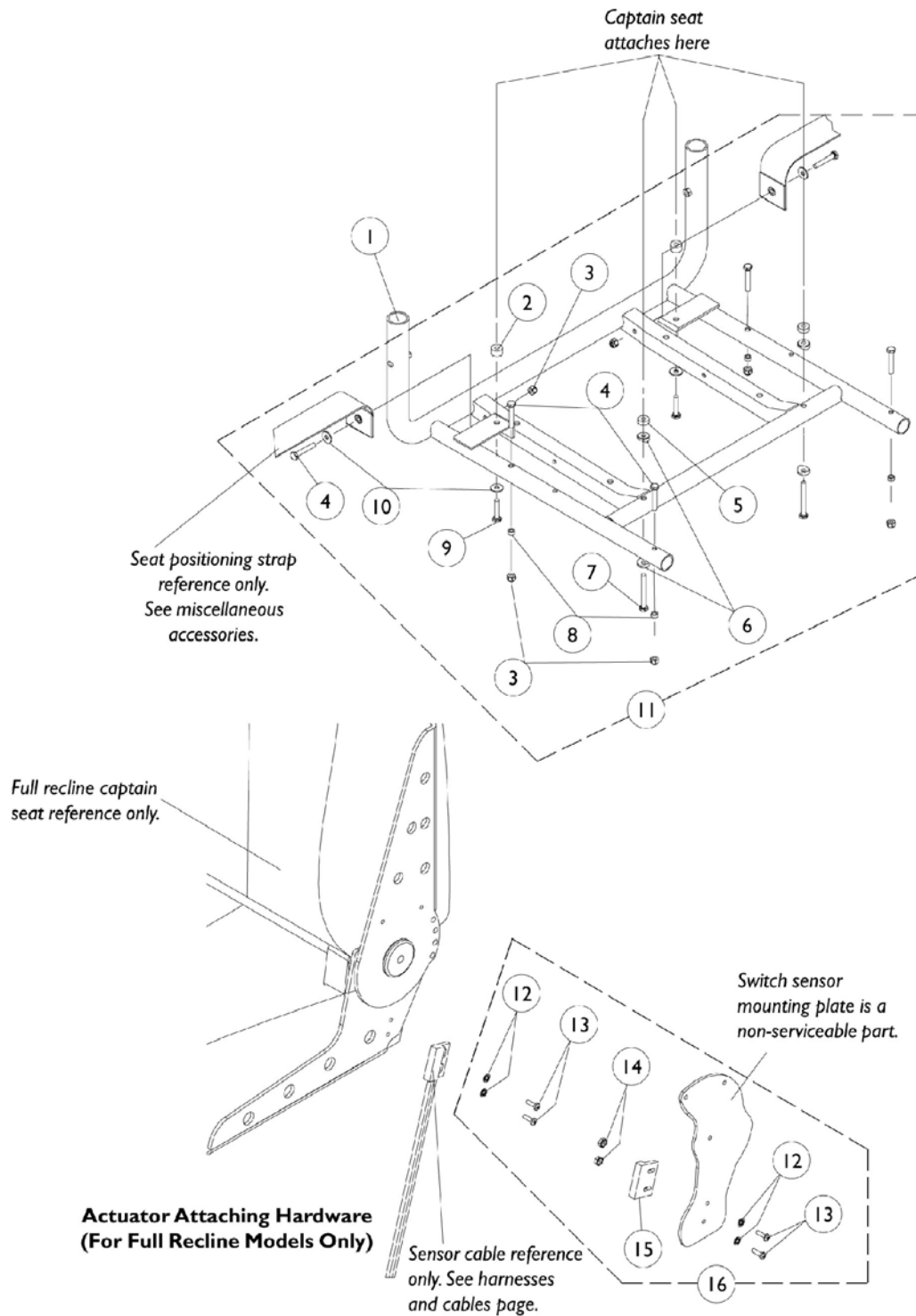


**Actuator Attaching Hardware
(High Back 18" Wide Models Only)**

Captain Seat Frame and Actuator Hardware (Before 11/01/01)

Item Number	Note	Part Number	Description	Quantity Per	
				Package	Assembly
1		1030949	Screw, Hex Head (1/4-20 x 1-1/2")	1	6
2		1026900	Washer (1/4 x 23/32 x 1/16")	1	6
3	B	1071603	Screw, Hex Head (M6 x 1" x 20MM)	1	4
3	C	1045267	Screw, Hex Head (1/4-20 x 3/4")	1	4
4		7930333	Locknut (1/4-20)	25	6
5		1026099	Spacer, Coved (1/4 x 11/16 x 1/2")	1	4
6	B	1070434	Screw, Hex Head (M6 x 1 x 50)	1	2
6	C	1088898	Screw, Hex Head Cap w/ Patch (1/4-20 x 1-3/4")	1	2
7		1047449	Spacer (1/4 x 3/8 x 3/16")	1	4
8	A,B	1070450	Hardware, Seat Attaching	1	1
8	A,C	1079208	Hardware, Captain Seat Mounting	1	1
9	D	1070455	Frame, Seat-18" Wide	1	1
9	E	1101913	Frame, Seat-22" Wide	1	1
10		1098624-NLA	Clamp, Cable	1	1
11		1024001	Sensor, Actuator Switch	1	1
12		16348X007	Rivet Washer (1/8 x 3/8 x 1/16")	1	2
13		1074128	Screw, Phillips Pan Head (#4-40 x 7/16")	1	2
14		P0870X000	Nut, Hex Keps (#4-40)	1	2
15		1025116	Screw, Slotted Hex Head (#4-3/8")	1	3
16		1008525	Washer, Internal Tooth Lock (#4-40)	1	3
NOTE: A - Consists of items 1-7 B - All high backs 18" wide C - Extended backs, forward folding and high backs 22" wide D - Extended backs, forward folding and high backs 18" wide E - High backs 22" wide					

Captain Seat Frame and Actuator Hardware (After 10/31/01)



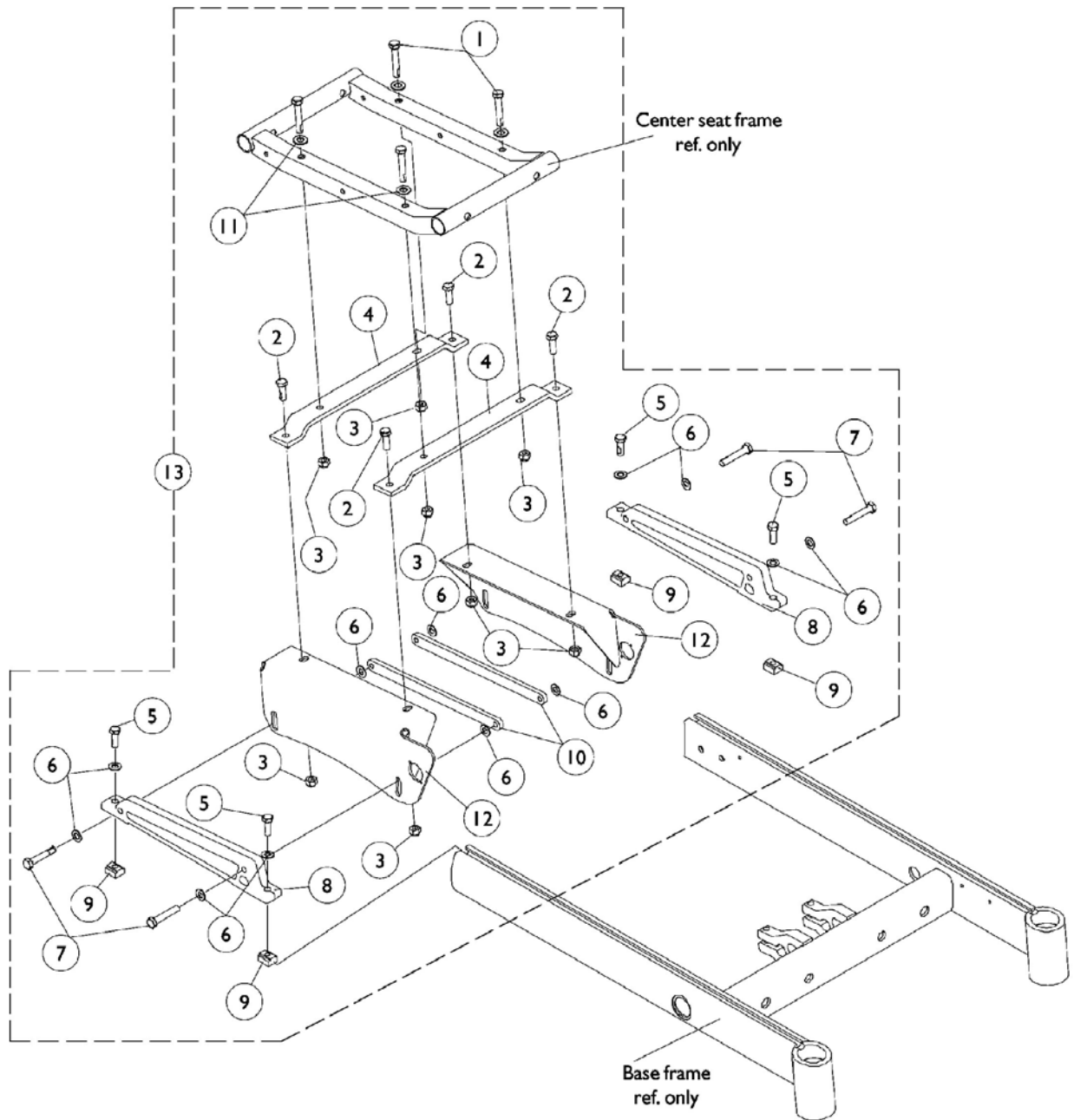
Captain Seat Frame and Actuator Hardware (After 10/31/01)

Item Number	Note	Part Number	Description	Quantity Per	
				Package	Assembly
1		1070455	Frame, Seat-18" Wide	1	1
1		1108099	Frame, Seat-20" Wide	1	1
1		1101913	Frame, Seat-22" Wide	1	1
2		1108411	Spacer (1/4 x 5/8 x 3/8")	1	2
3		7930333	Locknut (1/4-20)	25	6
4		1030949	Screw, Hex Head (1/4-20 x 1-1/2")	1	6
5		1108410	Spacer (1/4 x 5/8 x 1/4")	1	2
6		1026099	Spacer, Coved (1/4 x 11/16 x 1/2")	1	4
7		1026154	Screw, Hex Head (1/4-20 x 2-1/4")	1	2
8		1047449	Spacer (1/4 x 3/8 x 3/16")	1	4
9		1021406	Screw, Hex Head (1/4-20 x 1-1/4")	1	2
10		1026900	Washer (1/4 x 23/32 x 1/16")	1	4
11	B	1079208	Hardware, Captain Seat Mounting	1	1
12		1008525	Washer, Internal Tooth Lock (#4-40)	1	4
13		7930339	Screw, Phillips Pan Head (#4-40 x 3/8")	25	4
14		P0870X000	Nut, Hex Keps (#4-40)	1	2
15		1024001	Sensor, Actuator Switch	1	1
16	A	1107242	Hardware, Actuator Switch Sensor Mounting	1	1
NOTE: A - Includes items 12-15 B - Includes items 2-10					

Seat Frame Mounting Hardware

(12"-15" Wide ASBA), (12"-16" Wide ADJASBA Seats & TRBKTS Option)

NOTE: The ASBA and ADJASBA seat frame assemblies use the same mounting hardware.



Seat Frame Mounting Hardware (12"-15" Wide ASBA), (12"-16" Wide ADJASBA Seats & TRBKTS Option)

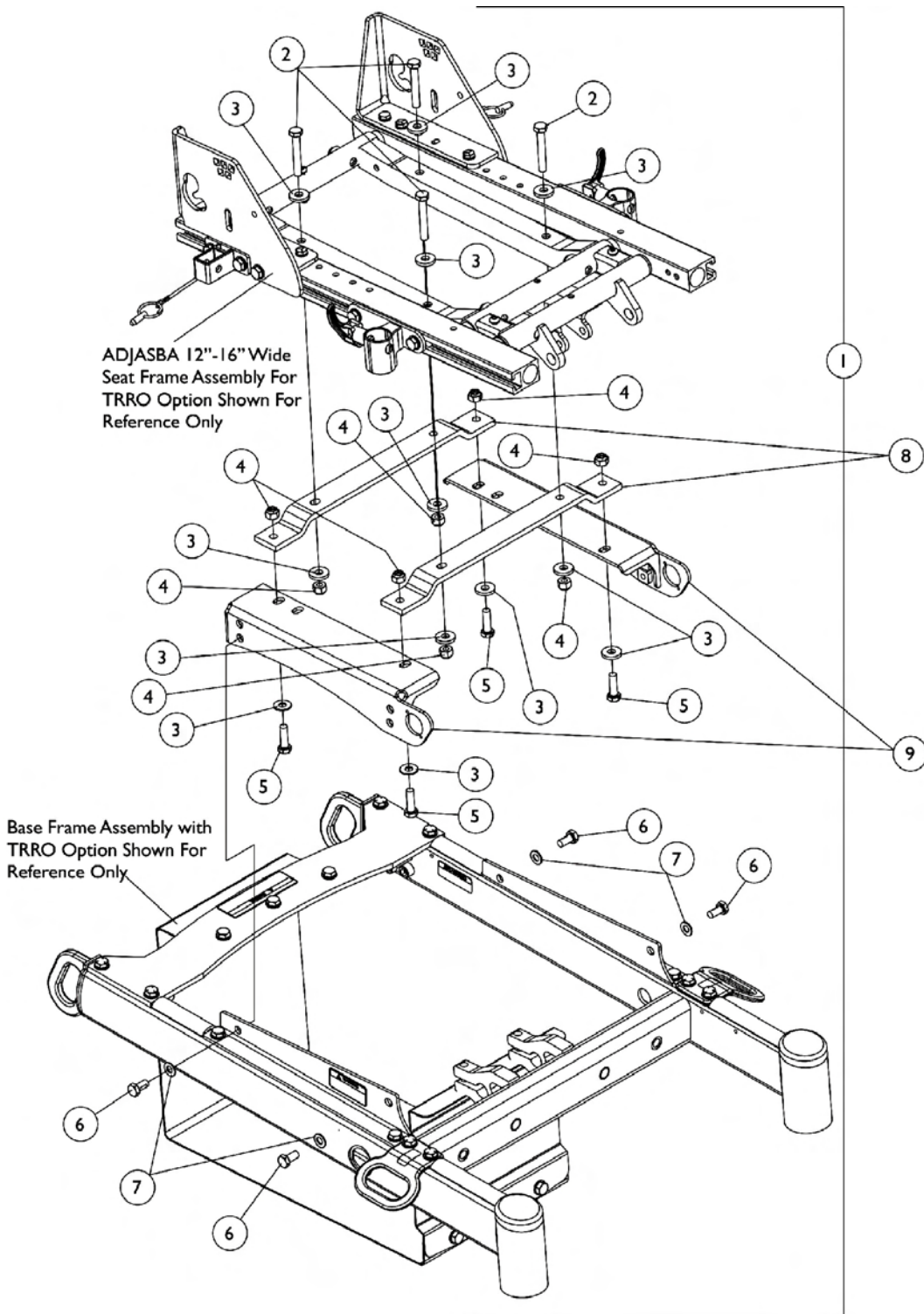
NOTE: The ASBA and ADJASBA seat frame assemblies use the same mounting hardware.

Item Number	Note	Part Number	Description	Quantity Per	
				Package	Assembly
1		1042484	Screw, Hex Head (5/16-18 x 2")	1	4
2		1070462	Screw, Hex Head Cap w/ Patch (5/16-18 x 7/8")	1	4
3		1026158	Locknut (5/16-18)	1	8
4		1070465	Bracket, Mounting, Black - Junior	1	2
5		1070462	Screw, Hex Head Cap w/ Patch (5/16-18 x 7/8")	1	4
6		1025704	Washer, Flat (5/16 x 5/8 x 1/16")	1	12
7		1043627	Screw, Hex Head Cap with Patch (5/16-18 x 1-3/4")	1	4
8		1070388	Support, Seat (Black)	1	2
9		1069724	T-Nut (5/16-18)	1	4
10		1070396	Strap, Bolt (Black)	1	2
11		1079247	Washer, Flat (21/64 x 53/64 x 7/64")	1	4
12	B	1104428	Mounting Plate, Seat Low, Right	1	1
12	B	1104429	Mounting Plate, Seat Low, Left	1	1
12	C	1104430	Mounting Plate, Seat Med, Right	1	1
12	C	1104431	Mounting Plate, Seat Med, Left	1	1
12	D	1104432	Mounting Plate, Seat Tall, Right	1	1
12	D	1104433	Mounting Plate, Seat Tall, Left	1	1
13	A,E	1104765	Hardware, Seat Frame Mounting	1	1

NOTE: A - Item number 12 not included
 B - Low 17-1/2" Seat to Floor
 C - Medium 19-3/4" Seat to Floor
 D - Tall 21-1/2" Seat to Floor
 E - Includes items 1-11

Seat Frame Mounting Hardware

(12"-16" Wide) ADJASBA Seats with TRRO Option

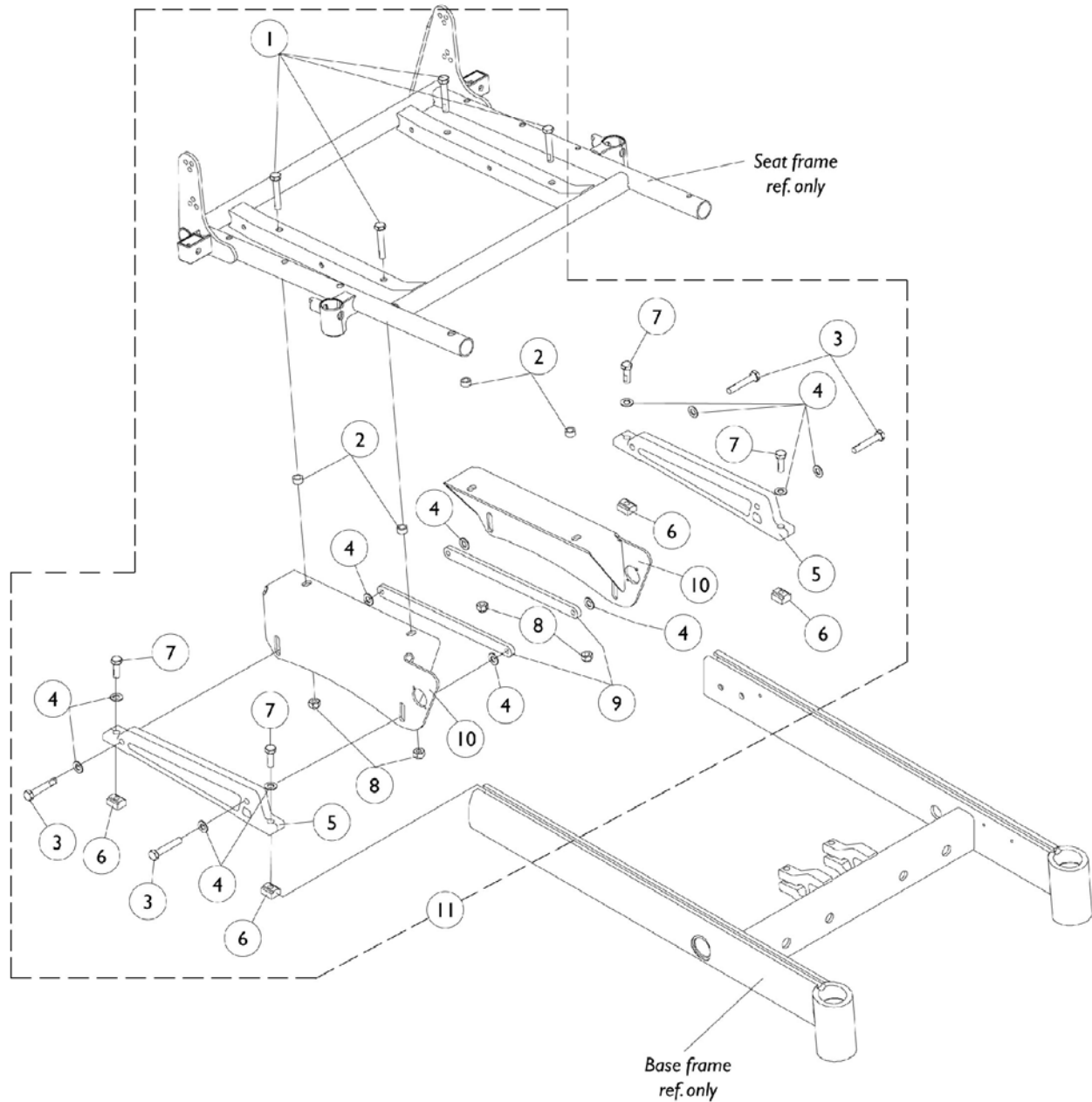


Seat Frame Mounting Hardware (12"-16" Wide) ADJASBA Seats with TRRO Option

Item Number	Note	Part Number	Description	Quantity Per	
				Package	Assembly
1	A	1140261	Kit, Seat Frame Mounting Hardware 12"-16" Wide For TRRO Option	1	1
2			Screw, Hex Head (5/16-18 x 2")	1	4
3			Washer, Flat (21/64 x 53/64 x 7/64")	1	12
4			Locknut (5/16-18)	1	8
5			Screw, Hex Head Cap (5/16-18 x 1")	1	4
6			Screw, Hex Head (5/16-18 x 5/8")	1	4
7			Washer, Flat (5/16 x 5/8 x 1/16")	1	4
8		1070465	Bracket, Mounting, Black - Junior	1	2
9		1135964	Bracket, Seat Mounting Low - Right	1	1
9		1135965	Bracket, Seat Mounting Low - Left	1	1

NOTE: A - Includes items 2-7

Seat Frame Mounting Hardware (16" - 24" Wide) ASBA (Before 7/5/05)



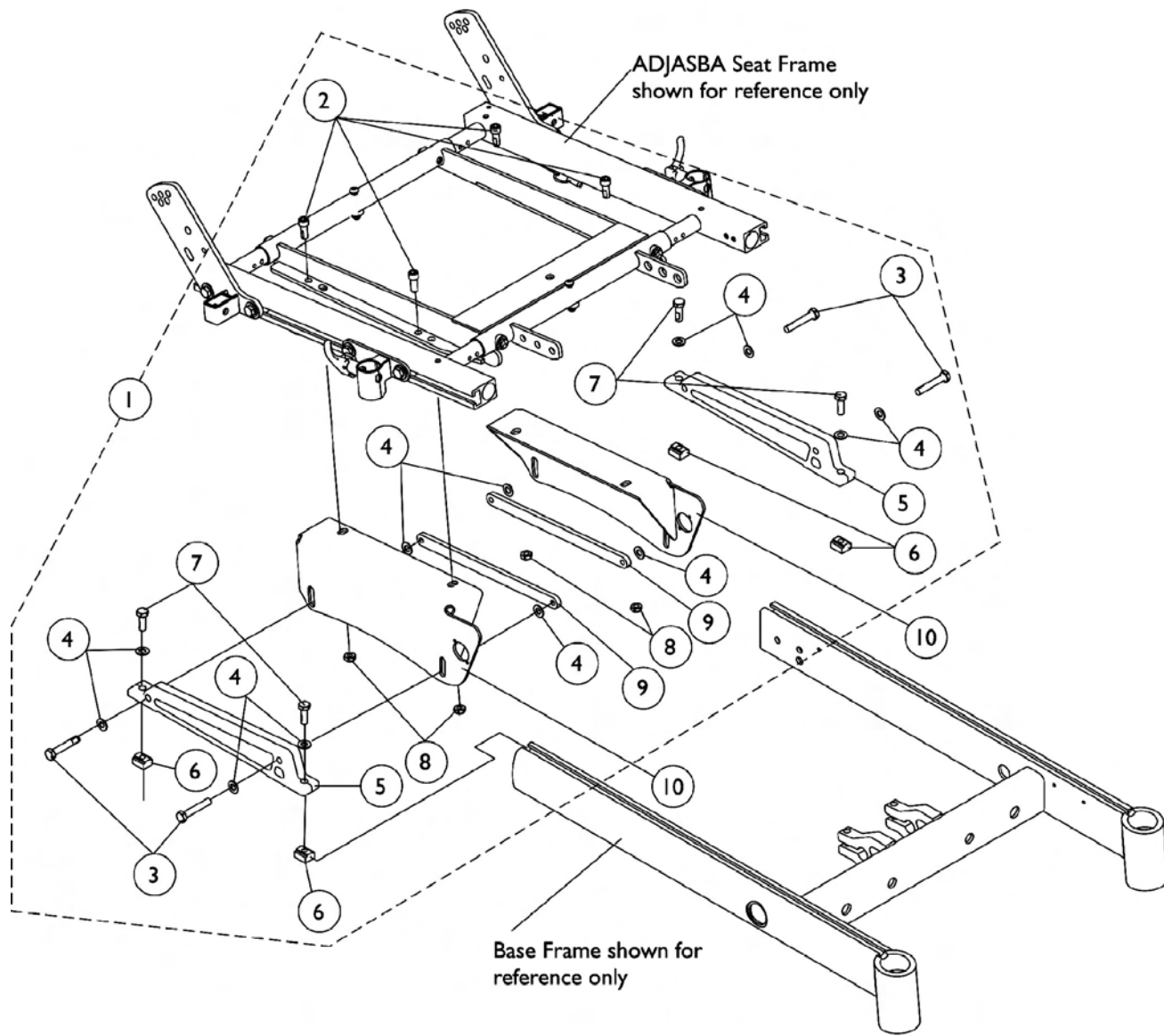
Seat Frame Mounting Hardware (16" - 24" Wide) ASBA (Before 7/5/05)

Item Number	Note	Part Number	Description	Quantity Per	
				Package	Assembly
1	A	1043627	Screw, Hex Head Cap with Patch (5/16-18 x 1-3/4")	1	4
1	B	1070398	Screw, Hex Head (5/16-18 x 1-1/2")	1	4
2	A	1070413	Spacer (21/64 x 1/2 x 17/64")	1	4
3		1043627	Screw, Hex Head Cap with Patch (5/16-18 x 1-3/4")	1	4
4		1025704	Washer, Flat (5/16 x 5/8 x 1/16")	1	12
5		1070388	Support, Seat (Black)	1	2
6		1069724	T-Nut (5/16-18)	1	4
7		1070462	Screw, Hex Head Cap w/ Patch (5/16-18 x 7/8")	1	4
8		1026158	Locknut (5/16-18)	1	4
9		1070396	Strap, Bolt (Black)	1	2
10	D	1104428	Mounting Plate, Seat Low, Right	1	1
10	D	1104429	Mounting Plate, Seat Low, Left	1	1
10	E	1104430	Mounting Plate, Seat Med, Right	1	1
10	E	1104431	Mounting Plate, Seat Med, Left	1	1
10	F	1104432	Mounting Plate, Seat Tall, Right	1	1
10	F	1104433	Mounting Plate, Seat Tall, Left	1	1
11	C,G	1104764	Hardware, Seat Frame Mounting, 16" Wide	1	1
11	C,G	1104763	Hardware, Seat Frame Mounting, 17" Wide and Wider	1	1

NOTE: A - Part number 1043627 and 1071413 are used on the 16" wide chairs only
B - Part number 1070398 is used on 17" and wider chairs only
C - Item number 10 not included
D - Low 17-1/2" Seat to Floor
E - Medium 19-3/4" Seat to Floor
F - Tall 21-1/2" Seat to Floor
G - Includes items 1-9

Seat Frame Mounting Hardware

(16" - 24" Wide) ADJASBA/ADJRECL (After 7/4/05) & TRBKTS Option

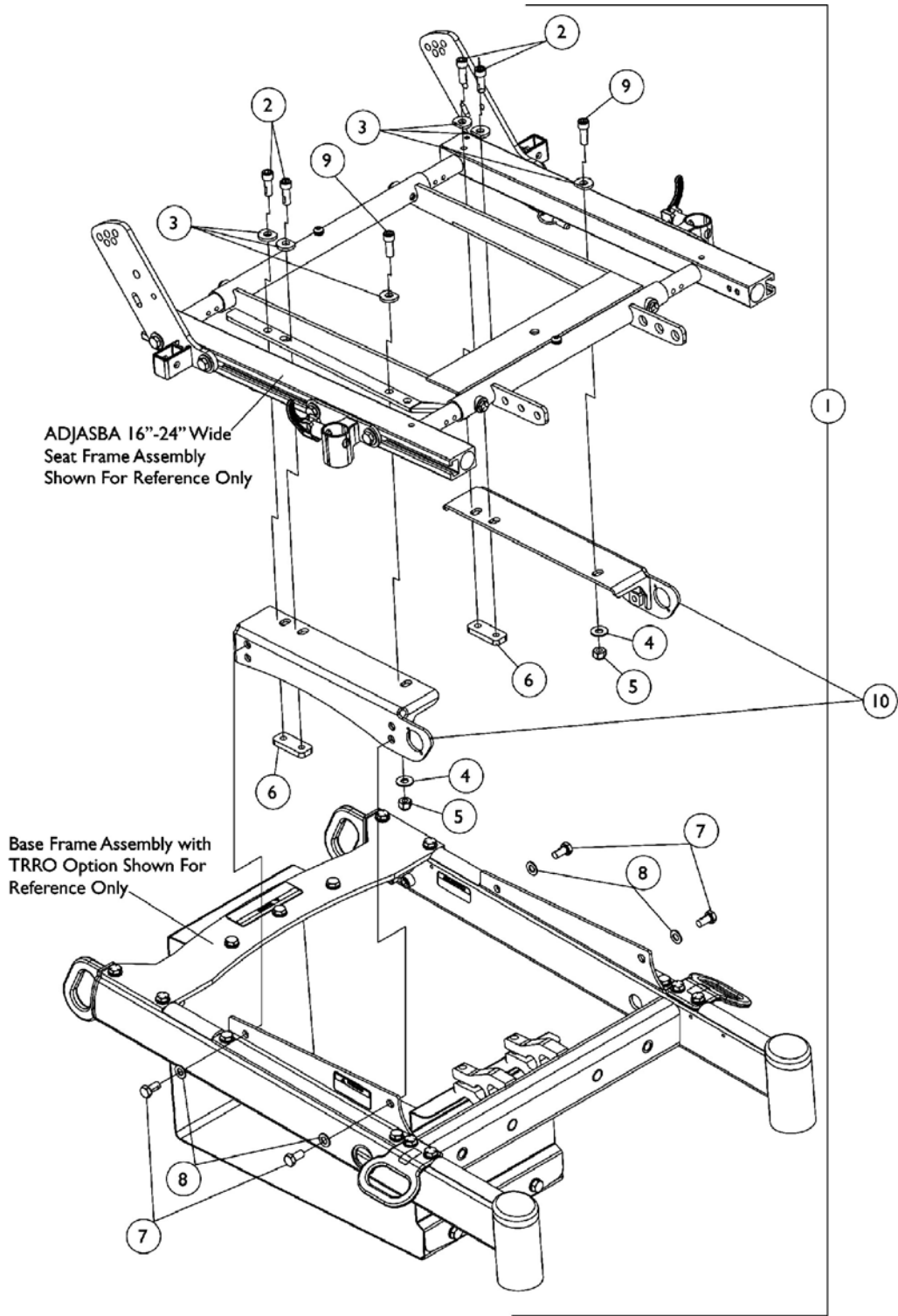


Seat Frame Mounting Hardware (16" - 24" Wide) ADJASBA/ADJRECL (After 7/4/05) & TRBKTS Option

Item Number	Note	Part Number	Description	Quantity Per	
				Package	Assembly
1	A	1134493	Kit, Seat Frame Mounting Hardware	1	1
2			Screw, Socket Head Cap (5/16-18 x 3/4")	1	4
3			Screw, Hex Head Cap with Patch (5/16-18 x 1-3/4")	1	4
4			Washer, Flat (5/16 x 5/8 x 1/16")	1	12
5			Support, Seat (Black)	1	2
6			T-Nut (5/16-18)	1	4
7			Screw, Hex Head Cap w/ Patch (5/16-18 x 7/8")	1	4
8			Locknut (5/16-18)	1	4
9			Strap, Bolt (Black)	1	2
10	B	1104428	Mounting Plate, Seat Low, Right	1	1
10	B	1104429	Mounting Plate, Seat Low, Left	1	1
10	C	1104430	Mounting Plate, Seat Med, Right	1	1
10	C	1104431	Mounting Plate, Seat Med, Left	1	1
10	D	1104432	Mounting Plate, Seat Tall, Right	1	1
10	D	1104433	Mounting Plate, Seat Tall, Left	1	1
NOTE: A - Includes items 2-9 and used for ADJASBA and ADJRECL Seat Frames B - Low = 17-1/2" Seat-To-Floor C - Med = 19-3/4" Seat-To-Floor D - Tall = 21-1/2" Seat-To-Floor					

Seat Frame Mounting Hardware

(16"-24" Wide) ADJASBA Seats with TRRO Option

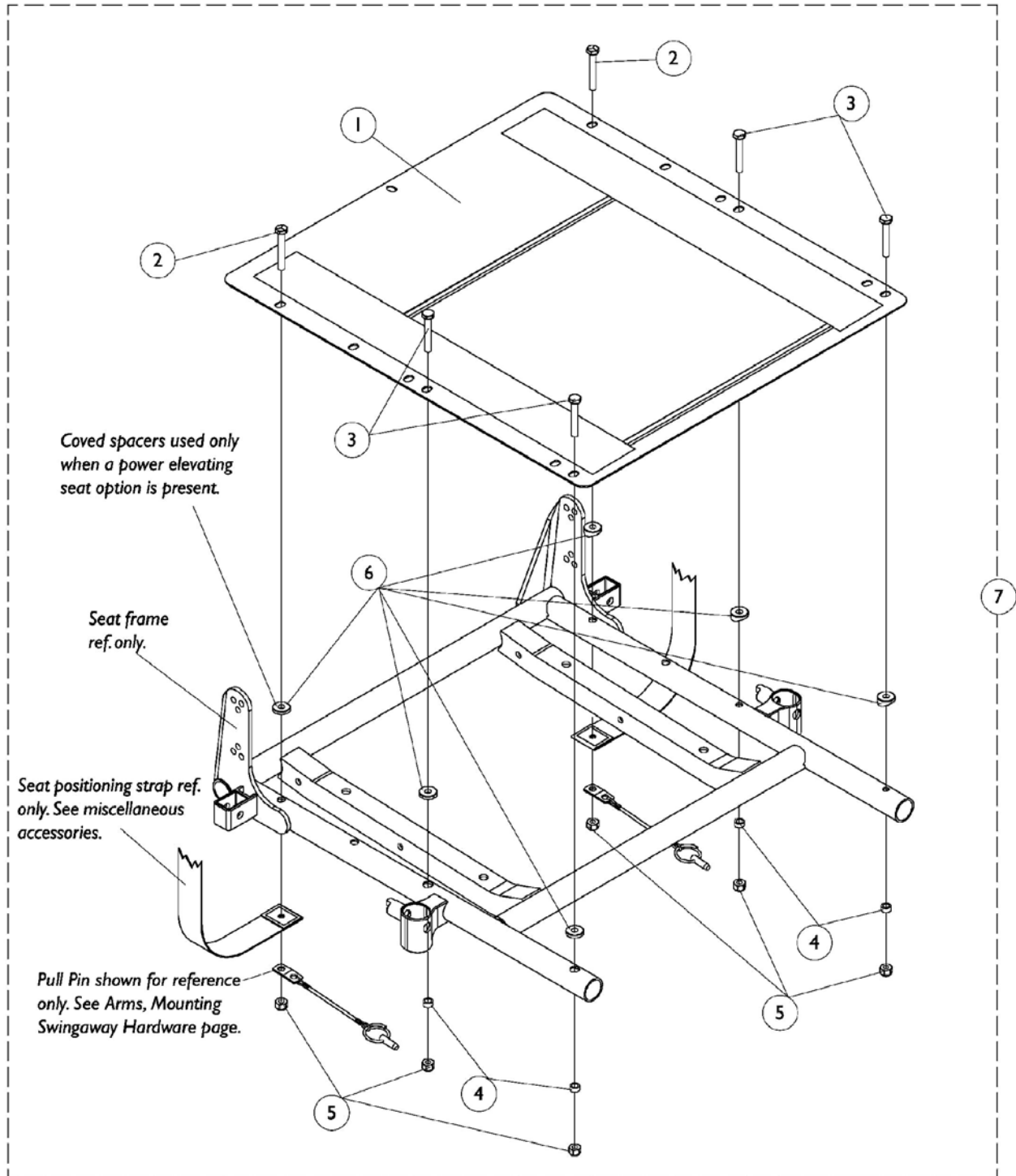


Seat Frame Mounting Hardware (16"-24" Wide) ADJASBA Seats with TRRO Option

Item Number	Note	Part Number	Description	Quantity Per	
				Package	Assembly
1	A	1135970	Kit, Seat Frame Mounting Hardware 16"-24" Wide For TRRO Option	1	1
2			Screw, Socket Head Cap with Patch (5/16-18 x 1")	1	4
3			Washer, Ground (11/32 x 13/16 x 1/8")	1	6
4			Washer, Flat (21/64 x 53/64 x 7/64")	1	2
5			Locknut (5/16-18)	1	2
6			Plate, Nut (5/16-18)	1	2
7			Screw, Hex Head (5/16-18 x 5/8")	1	4
8			Washer, Flat (5/16 x 5/8 x 1/16")	1	4
9			Screw, Socket Head Cap (5/16-18 x 1-1/4")	1	2
10		1135964	Bracket, Seat Mounting Low - Right	1	1
10		1135965	Bracket, Seat Mounting Low - Left	1	1

NOTE: A - Includes items 2-9

Seat Pan and Attaching Hardware For ASBA Seat (Before 7/5/05)



Seat Pan and Attaching Hardware For ASBA Seat (Before 7/5/05)

#1 Seat Pan

12"-18" Depth

Chair Width	12"-15" Deep	16" Deep	17" Deep	18" Deep
12" W	1066009	1070513	N/A	N/A
13" W	1066010	1070514	N/A	N/A
14" W	1066022	1066011	1066022	1066033
15" W	1066023	1066012	1066023	1066034
16" W	1066024	1066013	1066024	1066035
17" W	N/A	1066014	1066025	1066036
18" W	N/A	1066015	1066026	1066037
19" W	N/A	1066016	1066027	1066038
20" W	N/A	1066017	1066028	1066039
21" W	N/A	1066018	1066029	1066040
22" W	N/A	1066019	1066030	1066041
23" W	N/A	1066020	1066031	1066042
24" W	N/A	1066021	1066032	1066043

12-15" seat depths are achieved by using CJ back cane mounting hardware.

Seat Pan and Attaching Hardware For ASBA Seat (Before 7/5/05)

#1 Seat Pan

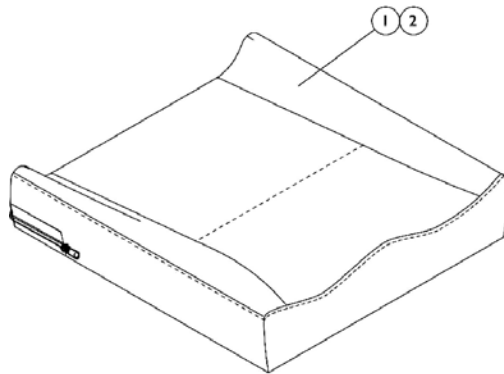
19"-22" Depth

Chair Width	19" Deep	20" Deep	21" Deep	22" Deep
14" W	1066044	1066055	1066066	1066077
15" W	1066045	1066056	1066067	1066078
16" W	1066046	1066057	1066068	1066079
17" W	1066047	1066058	1066069	1066080
18" W	1066048	1066059	1066070	1066081
19" W	1066049	1066060	1066071	1066082
20" W	1066050	1066061	1066072	1066083
21" W	1066051	1066062	1066073	1066084
22" W	1066052	1066063	1066074	1066085
23" W	1066053	1066064	1066075	1066086
24" W	1066054	1066065	1066076	1066087

Seat Pan and Attaching Hardware For ASBA Seat (Before 7/5/05)

Item Number	Note	Part Number	Description	Quantity Per	
				Package	Assembly
1		See Chart	#1 Seat Pan - 12"-18" Depth	1	1
1		See Chart	#1 Seat Pan - 19"-22" Depth	1	1
7	B	1070459	Kit, Seat Pan Mounting Hardware	1	1
2			Screw, Hex Head (1/4-20 x 1-5/8")	1	2
3			Screw, Hex Head (1/4-20 x 1-1/2")	1	4
4			Spacer (1/4 x 3/8 x 3/16")	1	4
5			Locknut (1/4-20)	1	6
7	A,C	1109336	Kit, Seat Pan Mounting Hardware	1	1
2			Screw, Hex Head (1/4-20 x 1-3/4")	1	2
3			Screw, Hex Head (1/4-20 x 1-5/8")	1	4
4			Spacer (1/4 x 3/8 x 3/16")	1	4
5			Locknut (1/4-20)	1	6
6			Spacer, Coved (1/4 x 11/16 x 1/2")	1	6
NOTE: A - Hardware used when a power elevating seat option is present. B - Includes items 2-5 C - Includes items 2-6					

Seat Cushion Assembly ADJASBA Only



#1 Contoura Seat Cushion Assembly

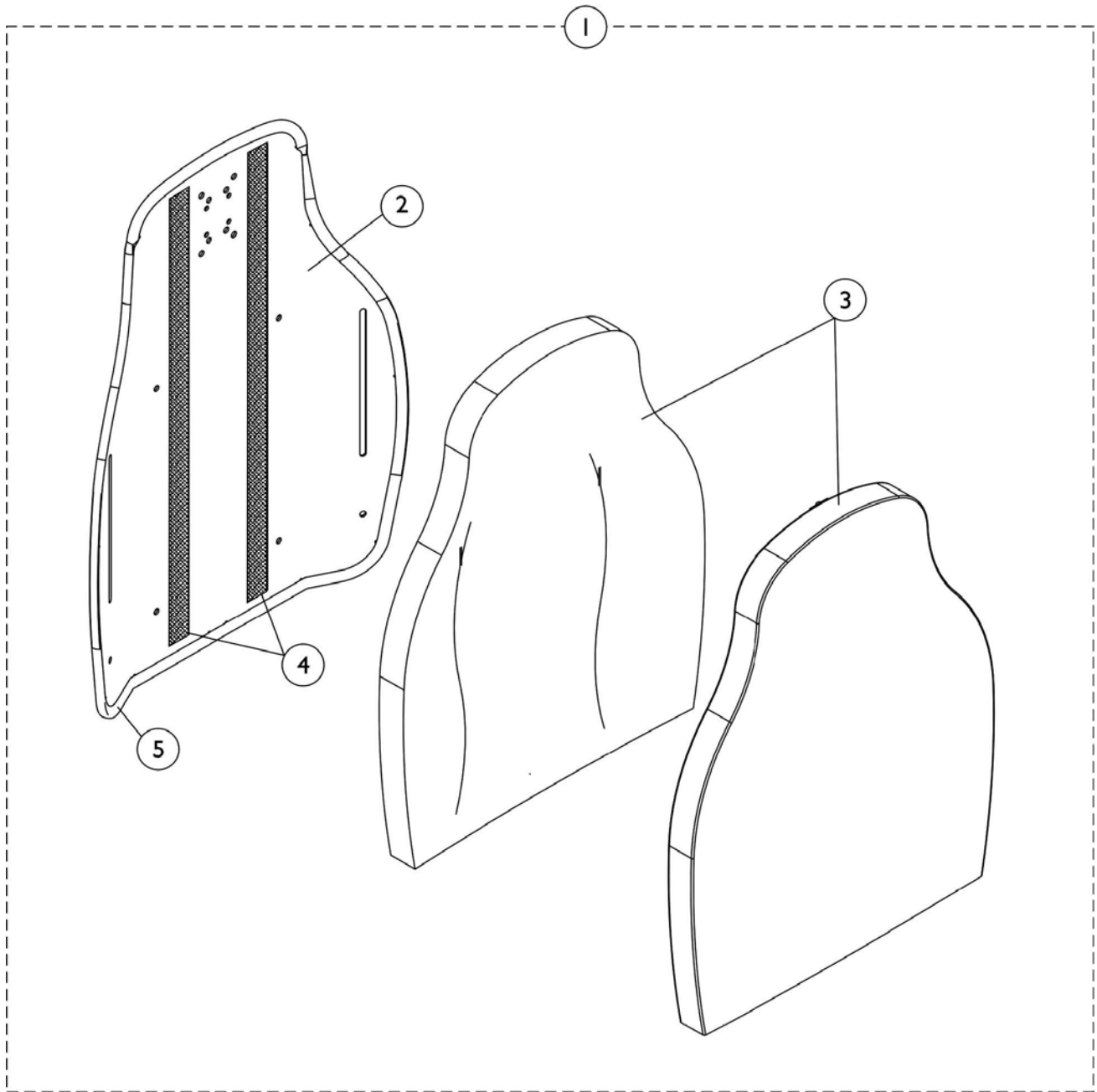
Chair Width	16" Deep	17" Deep	18" Deep	19" Deep	20" Deep	21" Deep	22" Deep
16" W	1132982 See Note(s) A	1132983 See Note(s) A	1132984 See Note(s) A	1132985 See Note(s) A	1132986 See Note(s) A	N/A	N/A
18" W	1132987 See Note(s) A	1132988 See Note(s) A	1132989 See Note(s) A	1132990 See Note(s) A	1132991 See Note(s) A	N/A	N/A
20" W	1132992 See Note(s) A	1132993 See Note(s) A	1132994 See Note(s) A	1132995 See Note(s) A	1132996 See Note(s) A	1132997 See Note(s) A	1132998 See Note(s) A
22" W	N/A	N/A	1132999 See Note(s) A	1133000 See Note(s) A	1133001 See Note(s) A	1133002 See Note(s) A	1133003 See Note(s) A
24" W	N/A	N/A	1133004 See Note(s) A	1133005 See Note(s) A	1133006 See Note(s) A	1133007 See Note(s) A	1133008 See Note(s) A

NOTE: A - Cushion Foam is not available separately.

#2 Contoura Seat Cushion Cover

Chair Width	16" Deep	17" Deep	18" Deep	19" Deep	20" Deep	21" Deep	22" Deep
16" W	1132953	1132954	1132955	1132956	1132957	N/A	N/A
18" W	1132958	1132959	1132960	1132961	1132962	N/A	N/A
20" W	1132963	1132964	1132965	1132966	1132967	1132968	1132969
22" W	N/A	N/A	1132970	1132971	1132972	1132973	1132974
24" W	N/A	N/A	1132975	1132976	1132977	1132978	1132979

Contoura Back without Mounting Hardware



Contoura Back without Mounting Hardware

#1 Back Assembly without Hardware 16", 18", 20", 22", 24" Wide

Overall Back Height	Material Back Height	16" Wide	18" Wide	20" Wide	22" Wide	24" Wide
25"	20"	1132828	1132829	1132830	1132831	1132832
29"	24"	1132825	1124733	1124734	1132826	1132827

#2 Back Pan with Vinyl Edge Trim 16", 18", 20", 22", 24" Wide

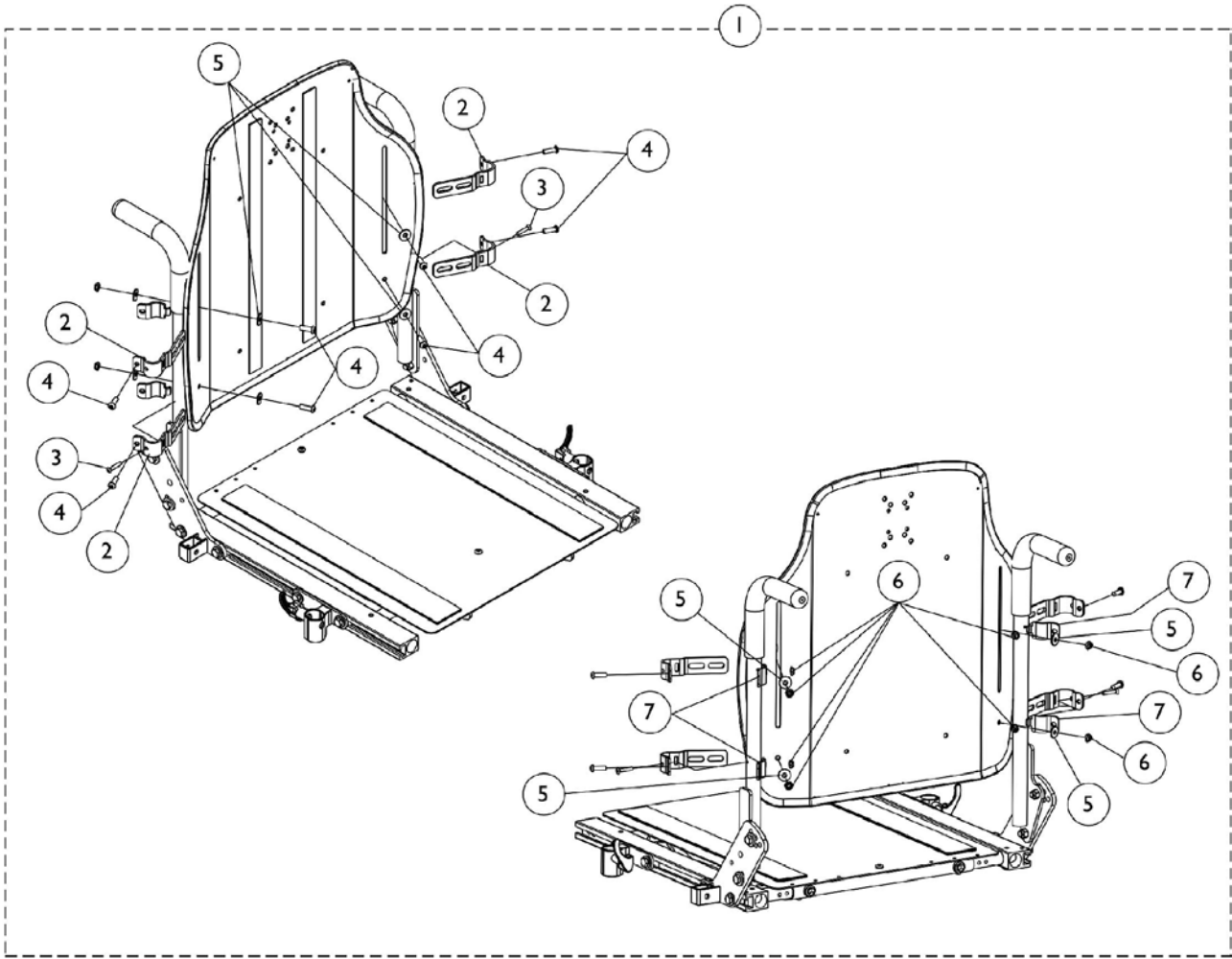
Overall Back Height	Material Back Height	16" Wide	18" Wide	20" Wide	22" Wide	24" Wide
25"	20"	1131405	1131406	1131407	1131408	1131409
29"	24"	1131410	1122454	1122453	1131411	1131412

#3 Back Cushion Assembly 16", 18", 20", 22", 24" Wide

Overall Back Height	Material Back Height	16" Wide	18" Wide	20" Wide	22" Wide	24" Wide
25"	20"	1132820	1132821	1132822	1132823	1132824
29"	24"	1132817	1125641	1125642	1132818	1132819

Item Number	Note	Part Number	Description	Quantity Per	
				Package	Assembly
1		See Chart	#1 Back Assembly without Hardware 16", 18", 20", 22", 24" Wide	1	1
2		See Chart	#2 Back Pan with Vinyl Edge Trim 16", 18", 20", 22", 24" Wide	1	1
3		See Chart	#3 Back Cushion Assembly 16", 18", 20", 22", 24" Wide	1	1
4		1125725	Hook Fastener w/ Adhesive Back (1" Wide x 48" Long)	1	1
5		1125724	Edge Trim, Vinyl Black (96" Long) Cut-To-Length	1	1

Contoura Back Mounting Hardware ADJASBA Only



Contoura Back Mounting Hardware ADJASBA Only

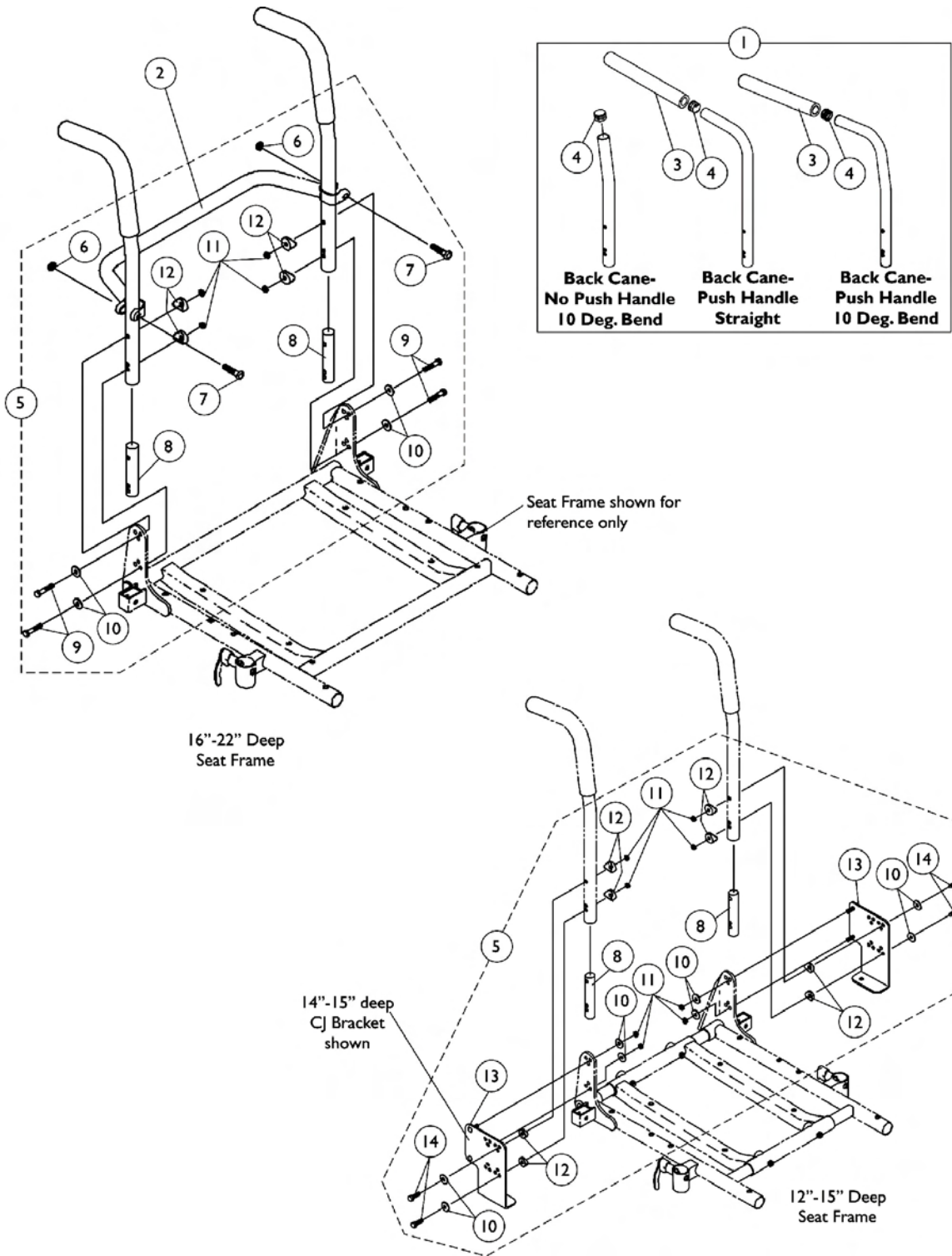
Item Number	Note	Part Number	Description	Quantity Per	
				Package	Assembly
1	A	1140945	Kit, Contoura Back Mounting Hdwr. - Round Canes	1	1
2			Bracket, Back Mounting, Front, Black	1	4
3			Screw, Phillips Oval Head Countersunk (#10-16 x 7/8")	1	2
4			Screw, Socket Head (1/4-20 x 3/4")	1	8
5			Washer (1/4 x 23/32 x 1/16")	1	8
6			Locknut (1/4-20)	1	8
7			Bracket, Back Mounting, Rear, Black	1	4

NOTE: A - Includes items 2-7

Back Canes, Spreader Bars and Attaching Hardware

For ASBA Seats (12"-24" Wide) (Before 7/5/05)

NOTE: Chairs manufactured with a seat width, seat depth or back height of 20" and greater including all heavy duty packages will be equipped with a spreader bar standard.



Back Canes, Spreader Bars and Attaching Hardware For ASBA Seats (12"-24" Wide) (Before 7/5/05)

NOTE: Chairs manufactured with a seat width, seat depth or back height of 20" and greater including all heavy duty packages will be equipped with a spreader bar standard.

Item Number	Note	Part Number	Description	Quantity Per	
				Package	Assembly
1		See Chart	#1 Back Cane Assemblies	1	2
2		See Chart	#2 Spreader Bar	1	1
3		1135506	Package, Foam Hand Grips (9" Long)	10	1
4		1134426	Package, Plug Buttons, Black (3/4")	10	1
5	A,E	1070499	Kit, Back Cane Attaching Hardware, For CJ Bracket 12-13" Deep Seat	2	1
8			Insert, Non-Threaded Back Cane (For Back Heights 20" and Lower)	1	2
10			Washer (1/4 x 23/32 x 1/16")	1	8
11			Locknut (1/4-20)	1	8
12			Spacer, Coved (1/4 x 11/16 x 1/2")	1	8
13			Bracket, Back Mounting, Black - Right	1	1
13			Bracket, Back Mounting, Black - Left	1	1
14			Screw, Hex Head (1/4-20 x 1-5/8")	1	4
5	A,E	1070500	Kit, Back Cane Attaching Hardware, For CJ Bracket 14-15" Deep Seat	2	1
8			Insert, Non-Threaded Back Cane (For Back Heights 20" and Lower)	1	2
10			Washer (1/4 x 23/32 x 1/16")	1	8
11			Locknut (1/4-20)	1	8
12			Spacer, Coved (1/4 x 11/16 x 1/2")	1	8
13			Bracket, Back Mounting, Black - Right	1	1
13			Bracket, Back Mounting, Black - Left	1	1
14			Screw, Hex Head (1/4-20 x 1-5/8")	1	4
5	B,C	1070457	Kit, Back Cane Attaching Hardware	2	1
6			Locknut (5/16-24)	1	2
7			Screw w/ Lug (5/16-24 x 1-3/8")	1	2
8			Insert, Non-Threaded Back Cane (For Back Heights 20" and Lower)	1	2
9			Screw, Hex Head (1/4-20 x 1-5/8")	1	4
10			Washer (1/4 x 23/32 x 1/16")	1	4
11			Locknut (1/4-20)	1	4
12			Spacer, Coved (1/4 x 11/16 x 1/2")	1	4
5	B,D	1070458	Kit, Back Cane Attaching Hardware	2	1
6			Locknut (5/16-24)	1	2
7			Screw w/ Lug (5/16-24 x 1-3/8")	1	2
8			Insert, Non-Threaded Back Cane (For Back Heights 21" and Higher)	1	2
9			Screw, Hex Head (1/4-20 x 1-5/8")	1	4
10			Washer (1/4 x 23/32 x 1/16")	1	4
11			Locknut (1/4-20)	1	4
12			Spacer, Coved (1/4 x 11/16 x 1/2")	1	4

Back Canes, Spreader Bars and Attaching Hardware For ASBA Seats (12"-24" Wide) (Before 7/5/05)

NOTE: Chairs manufactured with a seat width, seat depth or back height of 20" and greater including all heavy duty packages will be equipped with a spreader bar standard.

NOTE: A - Includes items 8 and 10-14
B - Includes items 6-12
C - Used for 12"-20" high back canes
D - Used for 21"-24" high back canes
E - Prior to 7/9/04 new back cane attaching hardware must be ordered for 12"-15" deep seats that use CJ brackets. The threaded insert was replaced with a non-threaded insert for 12"-20" high back canes.

Back Canes, Spreader Bars and Attaching Hardware For ASBA Seats (12"-24" Wide) (Before 7/5/05)

NOTE: Chairs manufactured with a seat width, seat depth or back height of 20" and greater including all heavy duty packages will be equipped with a spreader bar standard.

#1 Back Cane Assemblies

Back Height	Back Cane- No Push Handle 10 Deg. Bend	Back Cane- Push Handle Straight	Back Cane- Push Handle 10 Deg. Bend
12"	1045241	1045253	1049955
13"	1045242	1045254	1049956
14"	1045243	1045255	1049957
15"	1045244	1045256	1049958
16"	1048992	1048558	1045575
17"	1048993	1048559	1045576
18"	1048994	1048560	1045577
19"	1048995	1048561	1045578
20"	1048996	1048562	1045579
21"	N/A	N/A	1052227
22"	N/A	N/A	1052230
23"	N/A	N/A	1054521
24"	N/A	N/A	1054524

NOTE: Back Cane Assemblies include Foam Grips and Plug Buttons where shown

Back Canes, Spreader Bars and Attaching Hardware For ASBA Seats (12"-24" Wide) (Before 7/5/05)

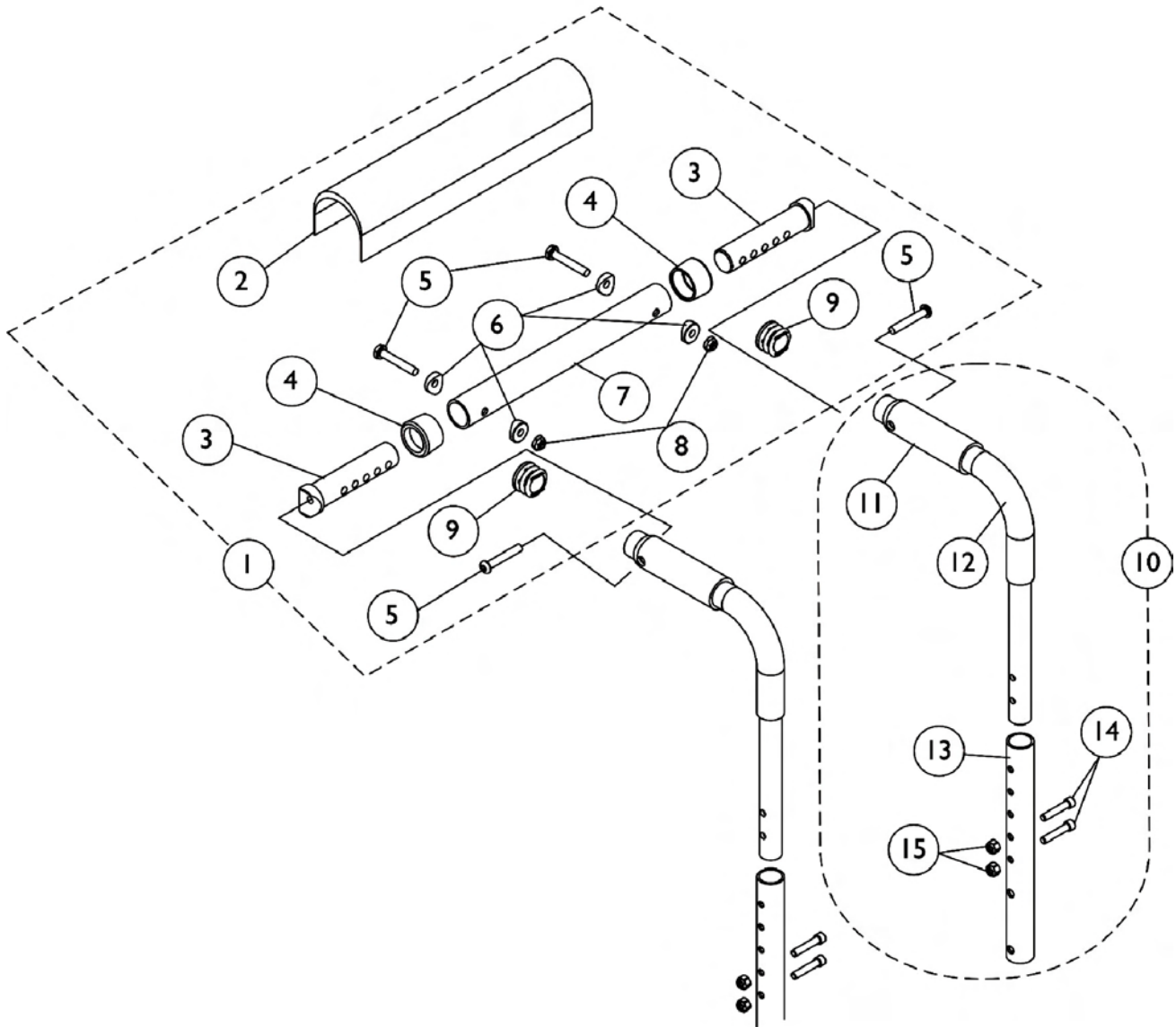
NOTE: Chairs manufactured with a seat width, seat depth or back height of 20" and greater including all heavy duty packages will be equipped with a spreader bar standard.

#2 Spreader Bar

Chair Width	Part Number
14"	1043871
15"	1043872
16"	1043873
17"	1043874
18"	1043875
19"	1043876
20"	1043877
21"	1043878
22"	1043879
23"	1043880
24"	1043881

Back Canes and Spreader Bars

For ADJASBA Seat (12"-16" Wide) (After 7/4/05)



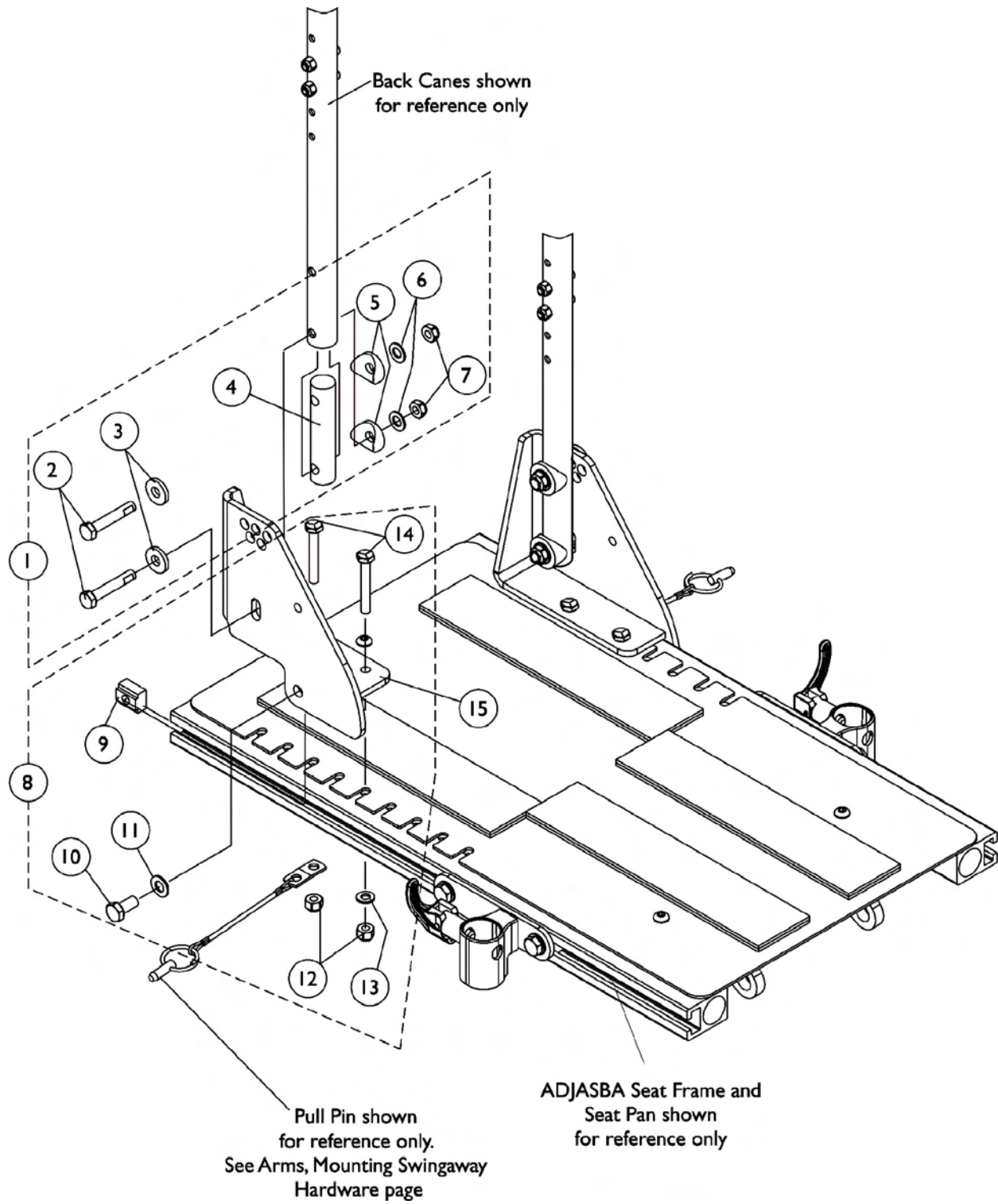
Back Canes and Spreader Bars

For ADJASBA Seat (12"-16" Wide) (After 7/4/05)

Item Number	Note	Part Number	Description	Quantity Per	
				Package	Assembly
1	A	1126147	Kit, Spreader Bar Assembly (12"-16" Wide)	1	1
2			Cover, Spreader Bar	1	1
3			Insert, Spreader Bar Connector	1	2
4			Anti-Rattle (1")	1	2
5			Screw, Socket Button Head (1/4-20 x 1-1/2")	1	4
6			Spacer, Coved (1/4 x 11/16 x 1/2")	1	4
7			Tube, Spreader Bar	1	1
8			Locknut (1/4-20)	1	2
9			Plug Button, Black (1")	1	2
10	B	1127154	Kit, Back Cane Assembly with Hardware (12"-15" Back Height)	1	1
11			Grip, Foam (4")	1	1
12			Handle, Push	1	1
13			Cane, Lower - 12"-15" Back Height	1	1
14			Screw, Socket Head (1/4-20 x 1-1/4")	1	2
15			Locknut (1/4-20)	1	2
10	B	1127155	Kit, Back Cane Assembly with Hardware (16"-19" Back Height)	1	1
11			Grip, Foam (4")	1	1
12			Handle, Push	1	1
13			Cane, Lower - 16"-19" Back Height	1	1
14			Screw, Socket Head (1/4-20 x 1-1/4")	1	2
15			Locknut (1/4-20)	1	2
10	B	1127156	Kit, Back Cane Assembly with Hardware (20"-22" Back Height)	1	1
11			Grip, Foam (4")	1	1
12			Handle, Push	1	1
13			Cane, Lower - 20"-22" Back Height	1	1
14			Screw, Socket Head (1/4-20 x 1-1/4")	1	2
15			Locknut (1/4-20)	1	2
11		1135505	Package, Foam Hand Grips (4" Long)	10	1
NOTE: A - Includes items 2-9 B - Includes items 11-15					

Back Cane Attaching Hardware

For ADJASBA Seat (12"-16" Wide) (After 7/4/05)

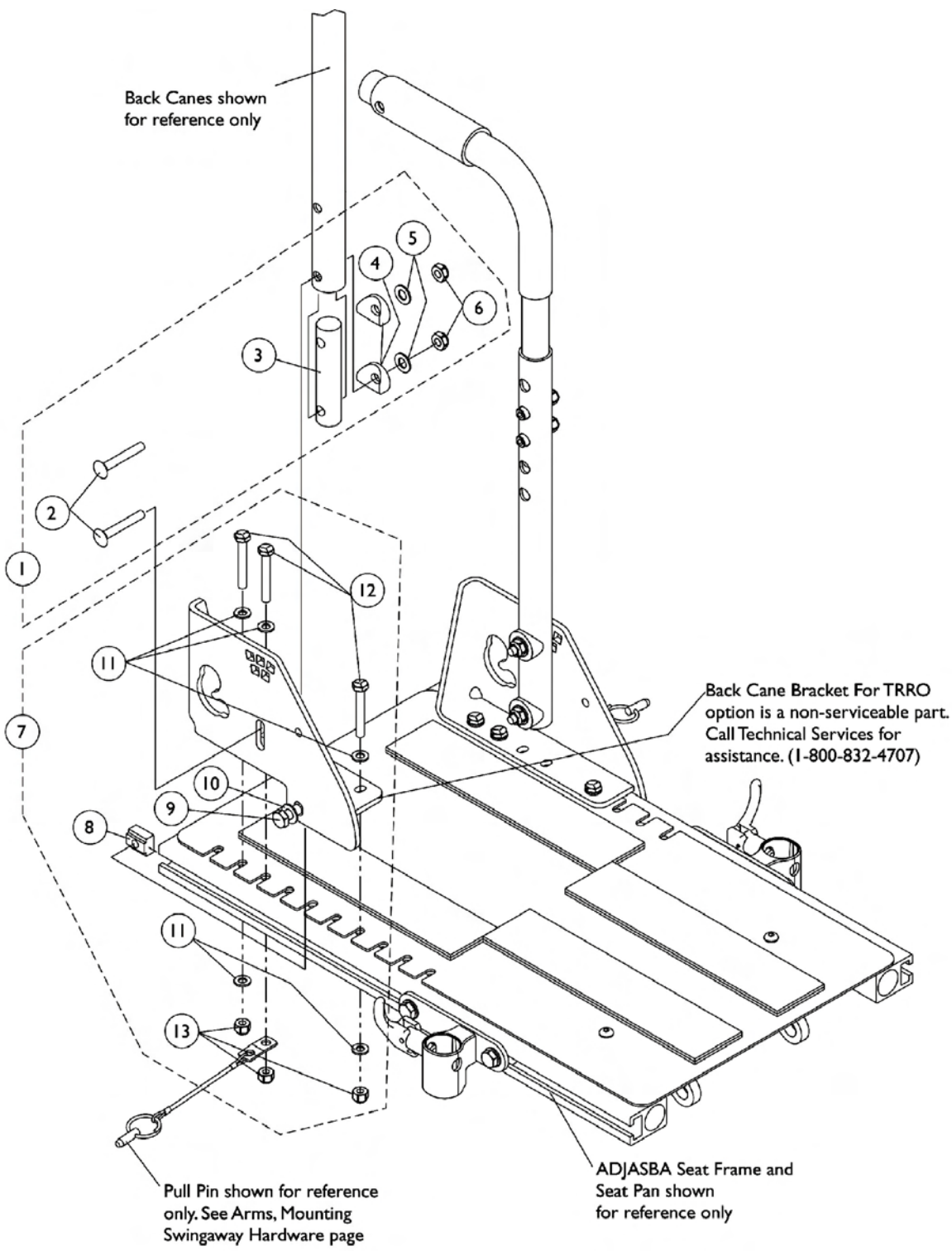


Back Cane Attaching Hardware For ADJASBA Seat (12"-16" Wide) (After 7/4/05)

Item Number	Note	Part Number	Description	Quantity Per	
				Package	Assembly
1	A	1126146	Kit, Back Cane Attaching Hardware	2	1
2			Screw, Hex Head Cap with Patch (5/16-18 x 1-3/4")	1	4
3			Washer, Flat (21/64 x 53/64 x 7/64")	1	4
4			Insert, Back Cane	1	2
5			Spacer, Coved (3/4 x 1 x 1/2")	1	4
6			Washer, Flat (5/16 x 5/8 x 1/16")	1	4
7			Locknut (5/16-18)	1	4
8	B	1135499	Kit, Back Cane Bracket Mounting Hardware	2	1
9			T-Nut (5/16-18)	1	2
10			Screw, Hex Head (5/16-18 x 5/8")	1	2
11			Washer, Flat (5/16 x 5/8 x 1/16")	1	2
12			Locknut (1/4-20)	1	4
13			Washer (1/4 x 1/2 x 1/16")	1	2
14			Screw, Hex Head (1/4-20 x 1-3/4")	1	4
15		1133597	Bracket, Back Cane Mounting, Black - Right	1	1
15		1133598	Bracket, Back Cane Mounting, Black - Left	1	1
NOTE: A - Includes items 2-7 B - Includes items 9-14					

Back Cane Attaching Hardware

For ADJASBA Seats (12"-16" W x 12"-15" D) TRRO Option



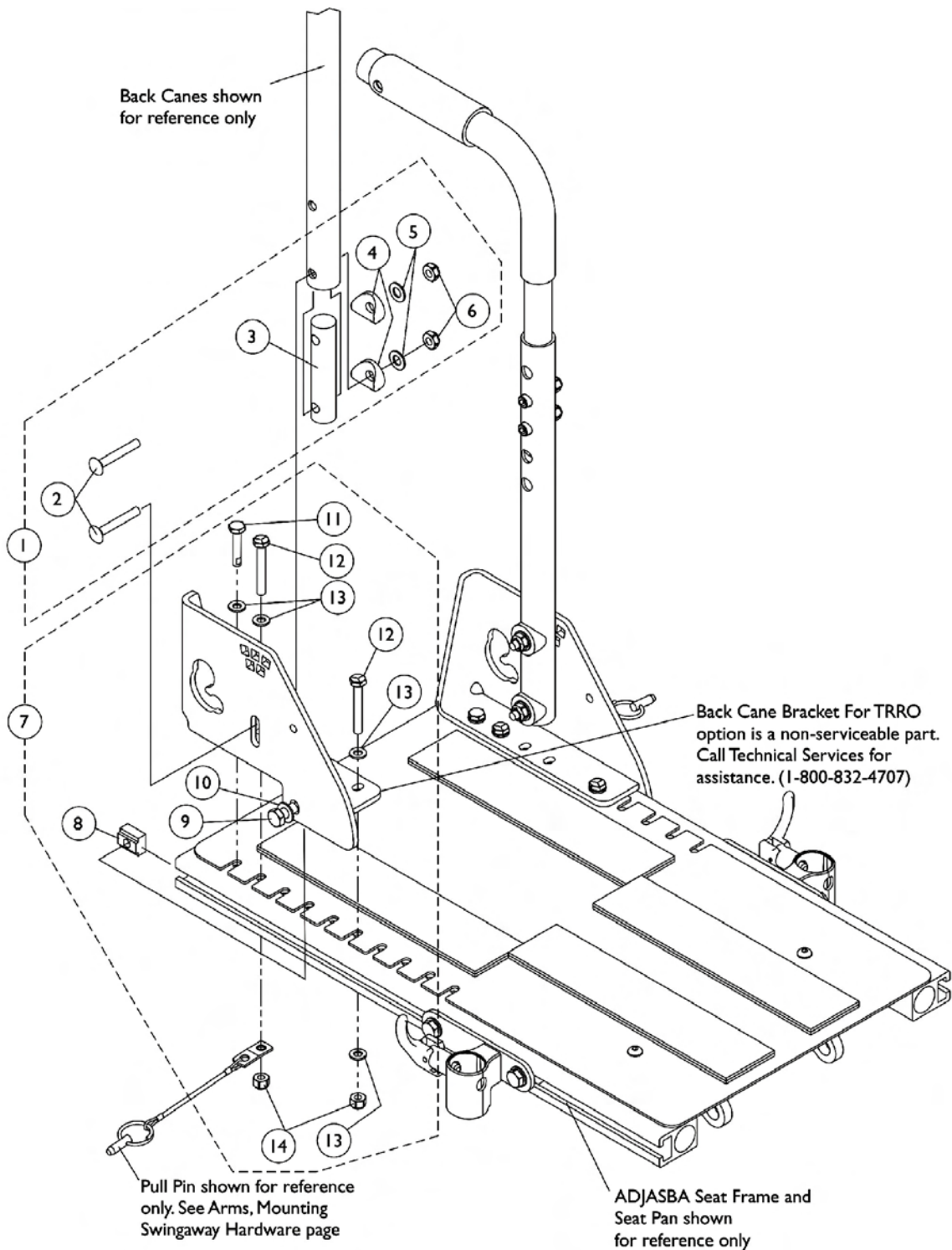
Back Cane Attaching Hardware

For ADJASBA Seats (12"-16" W x 12"-15" D) TRRO Option

Item Number	Note	Part Number	Description	Quantity Per	
				Package	Assembly
1	A	1139553	Kit, Back Cane Attaching Hardware For TRRO Option	2	1
2			Bolt, Round Head Square Neck (5/16-18 x 1-3/4")	1	4
3			Insert, Back Cane	1	2
4			Spacer, Coved (3/4 x 1 x 1/2")	1	4
5			Washer, Flat (5/16 x 5/8 x 1/16")	1	4
6			Locknut (5/16-18)	1	4
7	B	1136026	Kit, Back Cane Bracket Mounting Hardware For TRRO Option (12"-15" Deep)	2	1
8			T-Nut (5/16-18)	1	2
9			Screw, Hex Head (5/16-18 x 5/8")	1	2
10			Washer, Flat (5/16 x 5/8 x 1/16")	1	2
11			Washer (1/4 x 1/2 x 1/16")	1	10
12			Screw, Hex Head (1/4-20 x 1-3/4")	1	6
13			Locknut (1/4-20)	1	6
NOTE: A - Includes items 2-6 B - Includes items 8-13					

Back Cane Attaching Hardware

For ADJASBA Seats (12"-16" W x 16"-18" D) TRRO Option



Back Cane Attaching Hardware

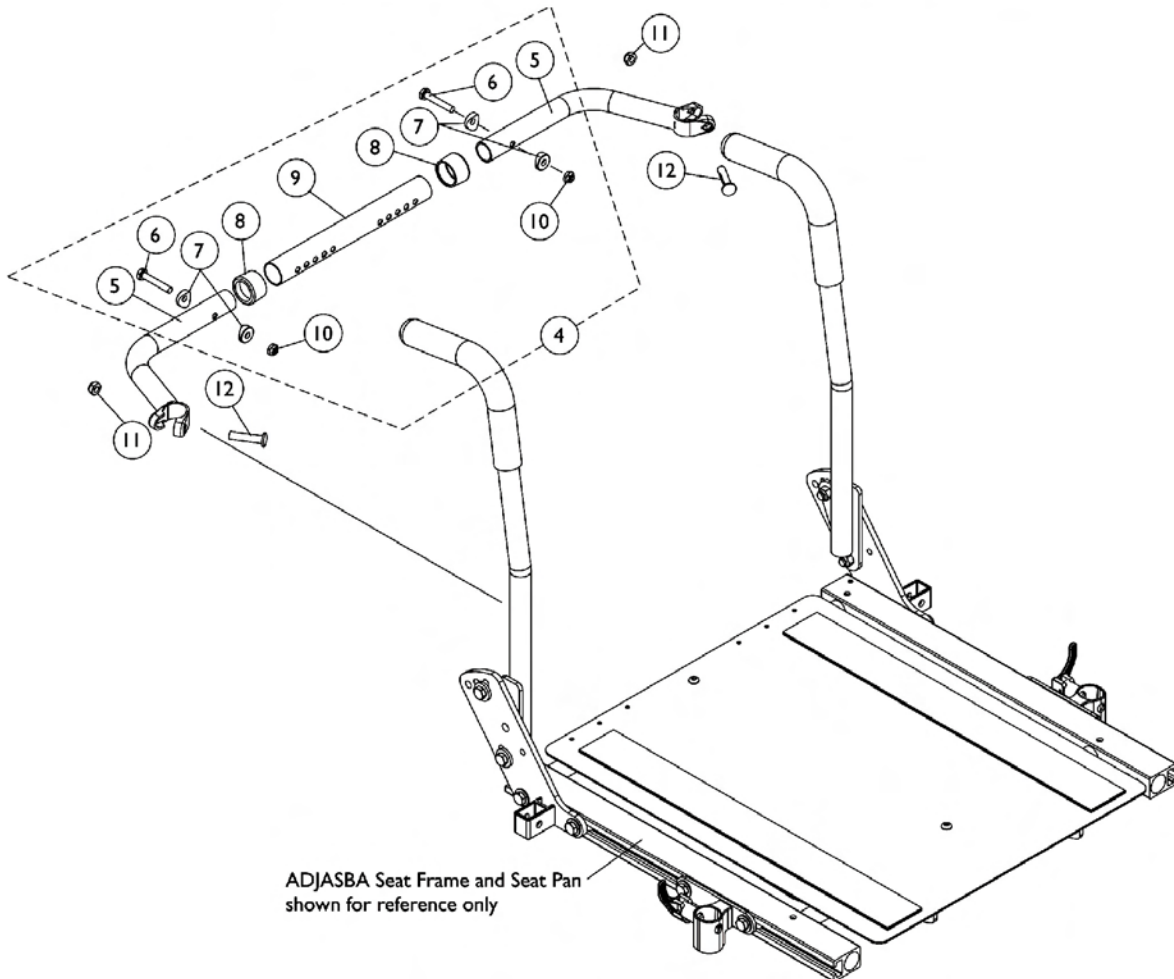
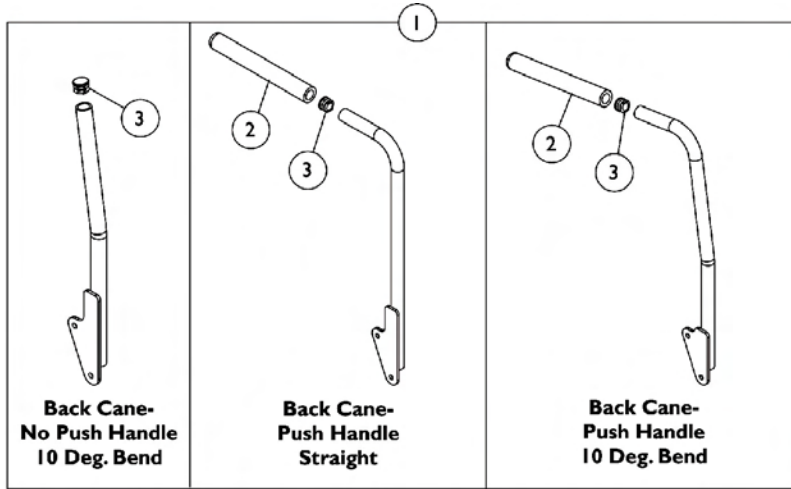
For ADJASBA Seats (12"-16" W x 16"-18" D) TRRO Option

Item Number	Note	Part Number	Description	Quantity Per	
				Package	Assembly
1	A	1139553	Kit, Back Cane Attaching Hardware For TRRO Option	2	1
2			Bolt, Round Head Square Neck (5/16-18 x 1-3/4")	1	4
3			Insert, Back Cane	1	2
4			Spacer, Coved (3/4 x 1 x 1/2")	1	4
5			Washer, Flat (5/16 x 5/8 x 1/16")	1	4
6			Locknut (5/16-18)	1	4
7	B	1136027	Kit, Back Cane Bracket Mounting Hardware For TRRO Option (16"-18" Deep)	2	1
8			T-Nut (5/16-18)	1	2
9			Screw, Hex Head (5/16-18 x 5/8")	1	2
10			Washer, Flat (5/16 x 5/8 x 1/16")	1	2
11			Screw, Hex Head (1/4-20 x 1-1/4")	1	2
12			Screw, Hex Head (1/4-20 x 1-3/4")	1	4
13			Washer (1/4 x 1/2 x 1/16")	1	8
14			Locknut (1/4-20)	1	4
NOTE: A - Includes items 2-6 B - Includes items 8-14					

Back Canes and Spreader Bars

For ADJASBA Seat (16"-24" Wide) (After 7/4/05)

Contoura Backs for ADJASBA Seating do not utilize a Spreader Bar Assembly.



Back Canes and Spreader Bars

For ADJASBA Seat (16"-24" Wide) (After 7/4/05)

Contoura Backs for ADJASBA Seating do not utilize a Spreader Bar Assembly.

Item Number	Note	Part Number	Description	Quantity Per	
				Package	Assembly
1		See Chart	#1 Back Cane Assemblies	1	1
2		1135506	Package, Foam Hand Grips (9" Long)	10	1
3		1134426	Package, Plug Buttons, Black (3/4")	10	1
4	A	1125709	Kit, Spreader Bar Assembly (16"-20" Wide)	1	1
5			Handle, Spreader Bar	1	2
6			Screw, Hex Head (1/4-20 x 1-1/2")	1	2
7			Spacer, Coved (1/4 x 11/16 x 1/2")	1	4
8			Anti-Rattle (1")	1	2
9			Tube, Spreader Bar Adjustable (16"-20" Wide)	1	1
10			Locknut (1/4-20)	1	2
4	A	1125710	Kit, Spreader Bar Assembly 20"-24" Wide	1	1
5			Handle, Spreader Bar	1	2
6			Screw, Hex Head (1/4-20 x 1-1/2")	1	2
7			Spacer, Coved (1/4 x 11/16 x 1/2")	1	4
8			Anti-Rattle (1")	1	2
9			Tube, Spreader Bar Adjustable (20"-24" Wide)	1	1
10			Locknut (1/4-20)	1	2
11		1025730	Locknut (5/16-24)	1	2
12		1031026	Screw w/ Lug (5/16-24 x 1-3/8")	1	2

NOTE: A - Includes items 5-10

#1 Back Cane Assemblies

Back Height	Back Cane- No Push Handle 10 Deg. Bend Right	Back Cane- No Push Handle 10 Deg. Bend Left	Back Cane- Push Handle Straight Right	Back Cane- Push Handle Straight Left	Back Cane- Push Handle 10 Deg. Bend Right	Back Cane- Push Handle 10 Deg. Bend Left
12"	1134058	1134059	1133785	1133786	1133814	1133815
13"	1134060	1134061	1133787	1133788	1133816	1133817
14"	1134062	1134063	1133789	1133790	1133818	1133819
15"	1134064	1134065	1133791	1133792	1133820	1133821
16"	1134066	1134067	1133793	1133794	1133822	1133823
17"	1134068	1134069	1133795	1133796	1133824	1133825
18"	1134070	1134071	1143334 See Note(s) C	1143335 See Note(s) B	1133826	1133827
19"	1134072	1134073	1133799	1133800	1133828	1133829
20"	1134074	1134075	1133801	1133802	1133830	1133831
21"	1134076	1134077	1136011 See Note(s) B	1136012 See Note(s) B	1133832	1133833
22"	1134078	1134079	1136013 See Note(s) B	1136014 See Note(s) B	1133834	1133835

Back Canes and Spreader Bars

For ADJASBA Seat (16"-24" Wide) (After 7/4/05)

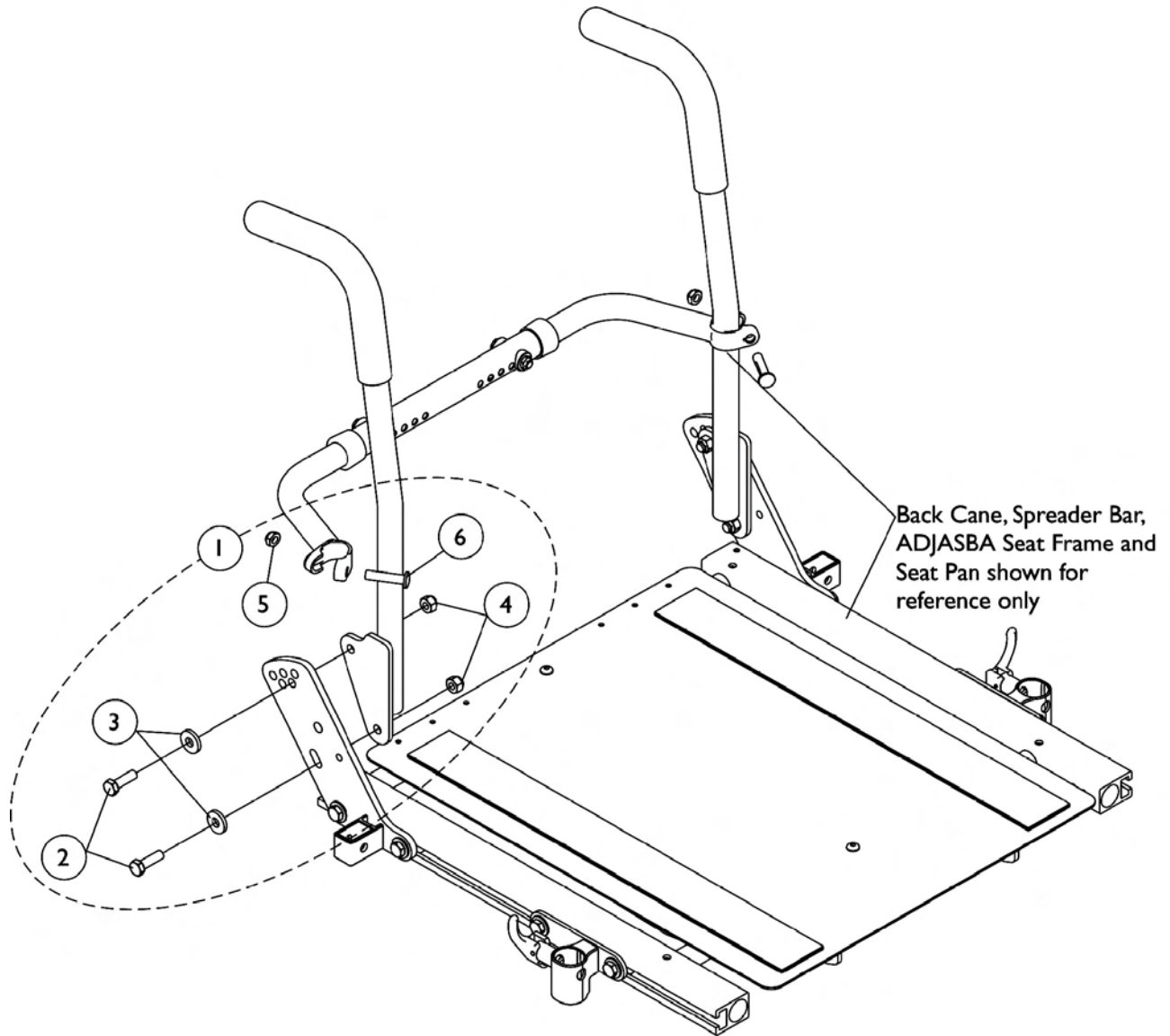
Contoura Backs for ADJASBA Seating do not utilize a Spreader Bar Assembly.

#1 Back Cane Assemblies

Back Height	Back Cane- No Push Handle 10 Deg. Bend Right	Back Cane- No Push Handle 10 Deg. Bend Left	Back Cane- Push Handle Straight Right	Back Cane- Push Handle Straight Left	Back Cane- Push Handle 10 Deg. Bend Right	Back Cane- Push Handle 10 Deg. Bend Left
23"	1134080	1134081	1136015 See Note(s) B	1136016 See Note(s) B	1133837	1133838
24"	1134082	1134083	1136017 See Note(s) B	1136018 See Note(s) B	1133839	1133840
NOTE: B - 21"-24" High Straight Back Canes with Push Handles are only offered On-Chair when the Back Upholstery is omitted C - Chairs with Contoura Backs use 18" high back canes only NOTE: Back Cane Assemblies include Foam Grips and Plug Buttons where shown						

Back Cane Attaching Hardware

For ADJASBA Seat (16"-24" Wide) (After 7/4/05)



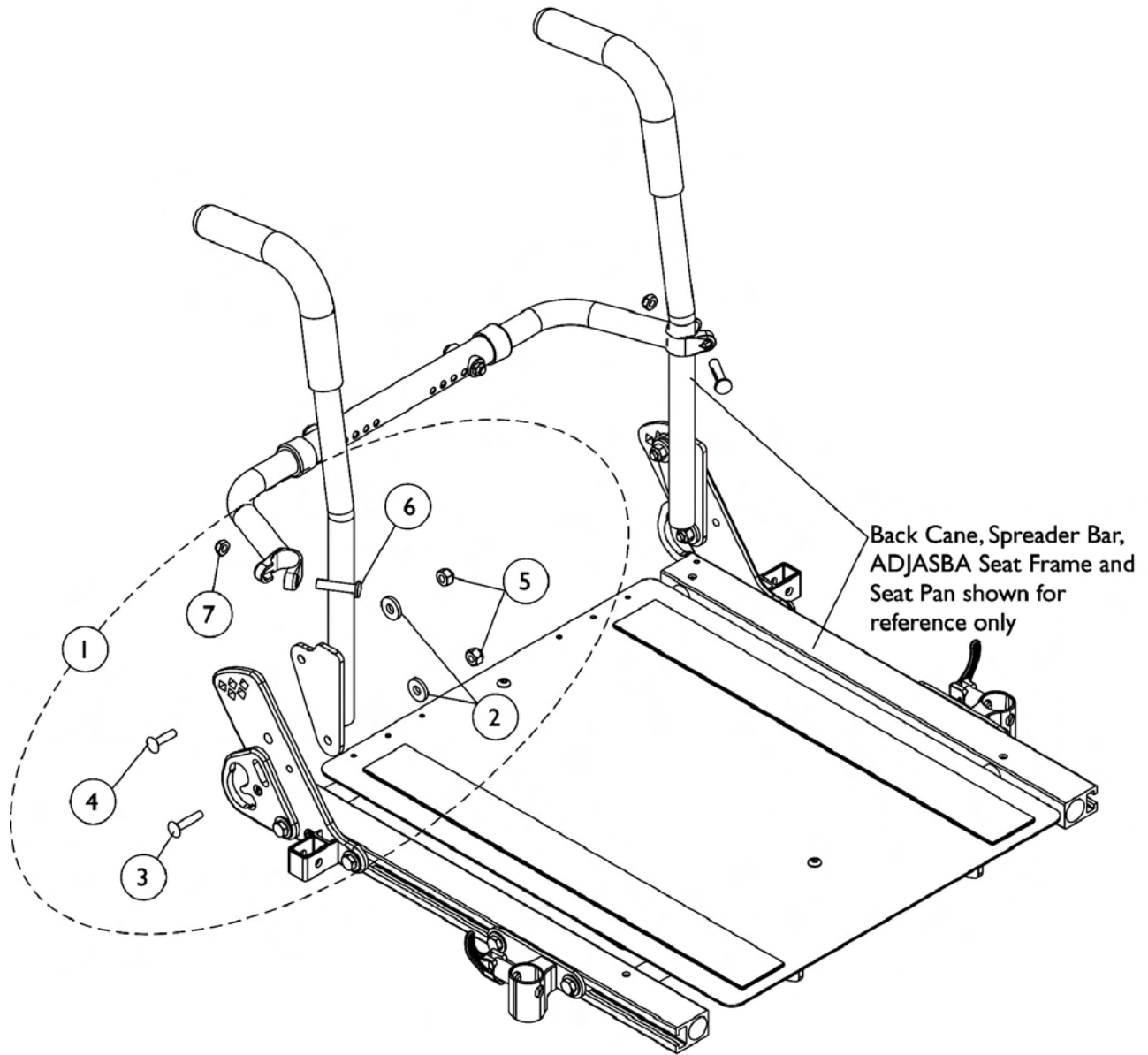
Back Cane Attaching Hardware For ADJASBA Seat (16"-24" Wide) (After 7/4/05)

Item Number	Note	Part Number	Description	Quantity Per	
				Package	Assembly
1	A	1133755	Kit, Back Cane Mounting Hardware (Pair)	2	1
2			Screw, Hex Head Cap (5/16-18 x 1")	1	4
3			Washer, Flat (21/64 x 53/64 x 7/64")	1	4
4			Locknut (5/16-18)	1	4
5			Locknut (5/16-24)	1	2
6			Screw w/ Lug (5/16-24 x 1-3/8")	1	2

NOTE: A - Includes items 2-6

Back Cane Attaching Hardware

For ADJASBA Seats (16"-24" Wide) with TRRO Option

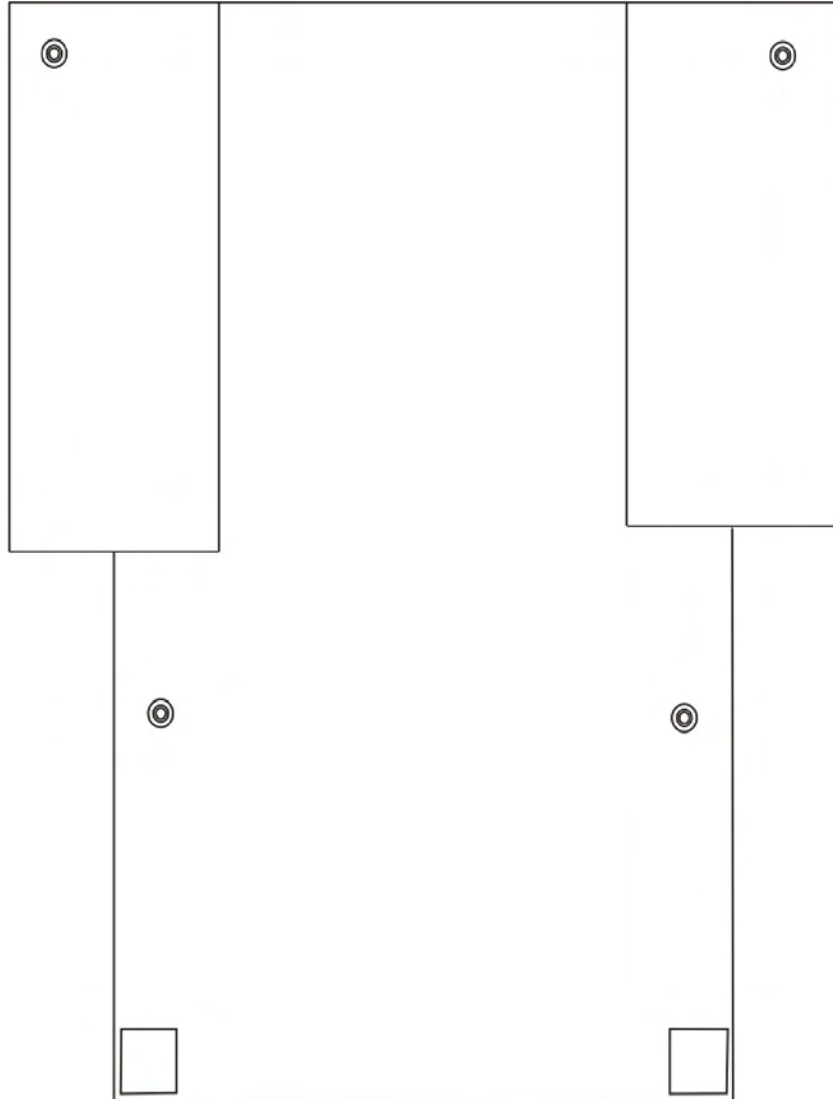


Back Cane Attaching Hardware

For ADJASBA Seats (16"-24" Wide) with TRRO Option

Item Number	Note	Part Number	Description	Quantity Per	
				Package	Assembly
1		1137234	Kit, Back Cane Mounting Hardware For TRRO Option (Pair)	2	1
2			Washer, Flat (21/64 x 53/64 x 7/64")	1	4
3			Bolt, Round Head Square Neck (5/16-18 x 1-1/4")	1	2
4			Bolt, Round Head Square Neck (5/16-18 x 1")	1	2
5			Locknut (5/16-18)	1	4
6			Screw w/ Lug (5/16-24 x 1-3/8")	1	2
7			Locknut (5/16-24)	1	2

Back Upholstery - Nylon Non-Recliner



Back Upholstery - Nylon Non-Recliner

Single Liners

Width	12"-13" High	14"-15" High	16"-17" High	18"-19" High	20" High	21"-22" High	23"-24" High
12" W	1045221	1045222	1045257	1045258	N/A	N/A	N/A
13" W	1045223	1045224	1045259	1045260	N/A	N/A	N/A
14" W	1049939	1049942	1045173	1045205	1068945	1045157	1054527
15" W	1049940	1049943	1045174	1045206	1068946	1045158	1054528
16" W	1049941	1045175	1045175	1045207	1068947	1045159	1054529
17" W	N/A	1049945	1045176	1045208	1068948	1045160	1054530
18" W	N/A	1049946	1045177	1045209	1068949	1045161	1054531

Dual Liners

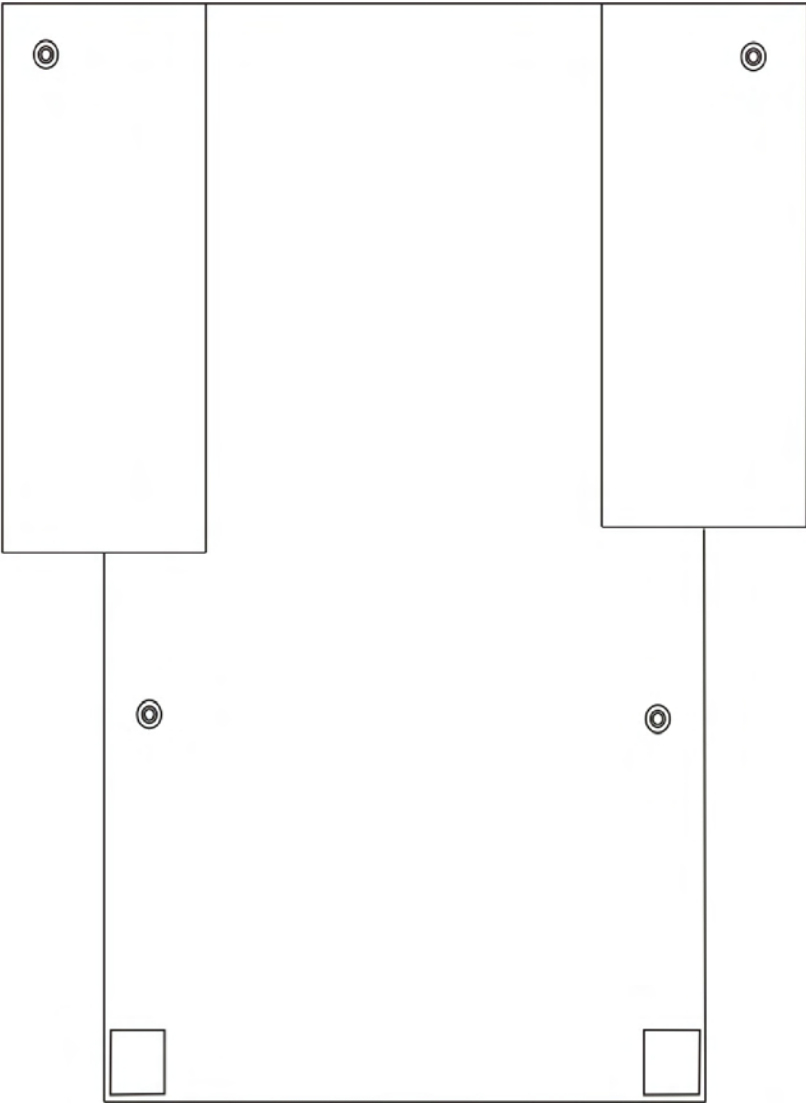
Width	16"-17" High	18" - 19" High	20" High	21" - 22" High	23" - 24" High
14" W	1045178	1045210	1068950	1045162	1054532
15" W	1045179	1045211	1068951	1045163	1054533
16" W	1045180	1045212	1068952	1045164	1054534
17" W	1045181	1045213	1068953	1045165	1054535
18" W	1045182	1045214	1068954	1045166	1054536
19" W	1045183	1045215	1068955	1045167	1054537
20" W	1045184	1045216	1068956	1045168	1054538
21" W	1045185	1045217	1068957	1045169	1054539
22" W	1045186	1045218	1068958	1045170	1054540
23" W	1045187	1045219	1068959	1045171	1054541
24" W	1045188	1045220	1068960	1045172	1054542

NOTE: Dual liner back upholstery is used with chairs that have a seat deeper than 17" or back wider than 18".

Back Upholstery - Nylon Non-Recliner

Back Upholstery Hardware	1026298
Consists of:	
2 each	Screw with Washer (10 x 7/8")
2 each	Cable Ties

Back Upholstery - Vinyl Non-Recliner



Back Upholstery - Vinyl Non-Recliner

Single Liners

Width	12"-13" High	14"-15" High	16"-17" High	18"-19" High	20" High	21"-22" High	23"-24" High
12" W	8881045225	8881045226	8881045261	8881045262	N/A	N/A	N/A
13" W	8881045227	8881045228	8881045263	8881045264	N/A	N/A	N/A
14" W	8881049947	8881049950	8881045076	8881045060	8881068961	8881045125	8881054543
15" W	8881049948	8881049951	8881045077	8881045061	8881068962	8881045126	8881054544
16" W	8881049949	8881049952	8881045078	8881045062	8881068963	8881045127	8881054545
17" W	N/A	8881049953	8881045079	8881045063	8881068964	8881045128	8881054546
18" W	N/A	8881049954	8881045080	8881045064	8881068965	8881045129	8881054547

NOTE: Specify upholstery color. See page titled Frame Finishes, Touch-Up Paints and Upholstery Options page.

Dual Liners

Width	16"-17" High	18"-19" High	20" High	21"-22" High	23"-24" High
14" W	8881045081	8881045065	8881068966	8881045130	8881054548
15" W	8881045082	8881045066	8881068967	8881045131	8881054549
16" W	8881045083	8881045067	8881068968	8881045132	8881054550
17" W	8881045084	8881045068	8881068969	8881045133	8881054551
18" W	8881045085	8881045069	8881068970	8881045134	8881054552
19" W	8881045086	8881045070	8881068971	8881045135	8881054553
20" W	8881045087	8881045071	8881068972	8881045136	8881054554
21" W	8881045088	8881045072	8881068973	8881045137	8881054555
22" W	8881045089	8881045073	8881068974	8881045138	8881054556
23" W	8881045090	8881045074	8881068975	8881045139	8881054557
24" W	8881045091	8881045075	8881068976	8881045140	8881054558

NOTE: Dual liner back upholstery is used with chairs that have a seat deeper than 17" or back wider than 18".

NOTE: Specify upholstery color. See page titled Frame Finishes, Touch-Up Paints and Upholstery Options page.

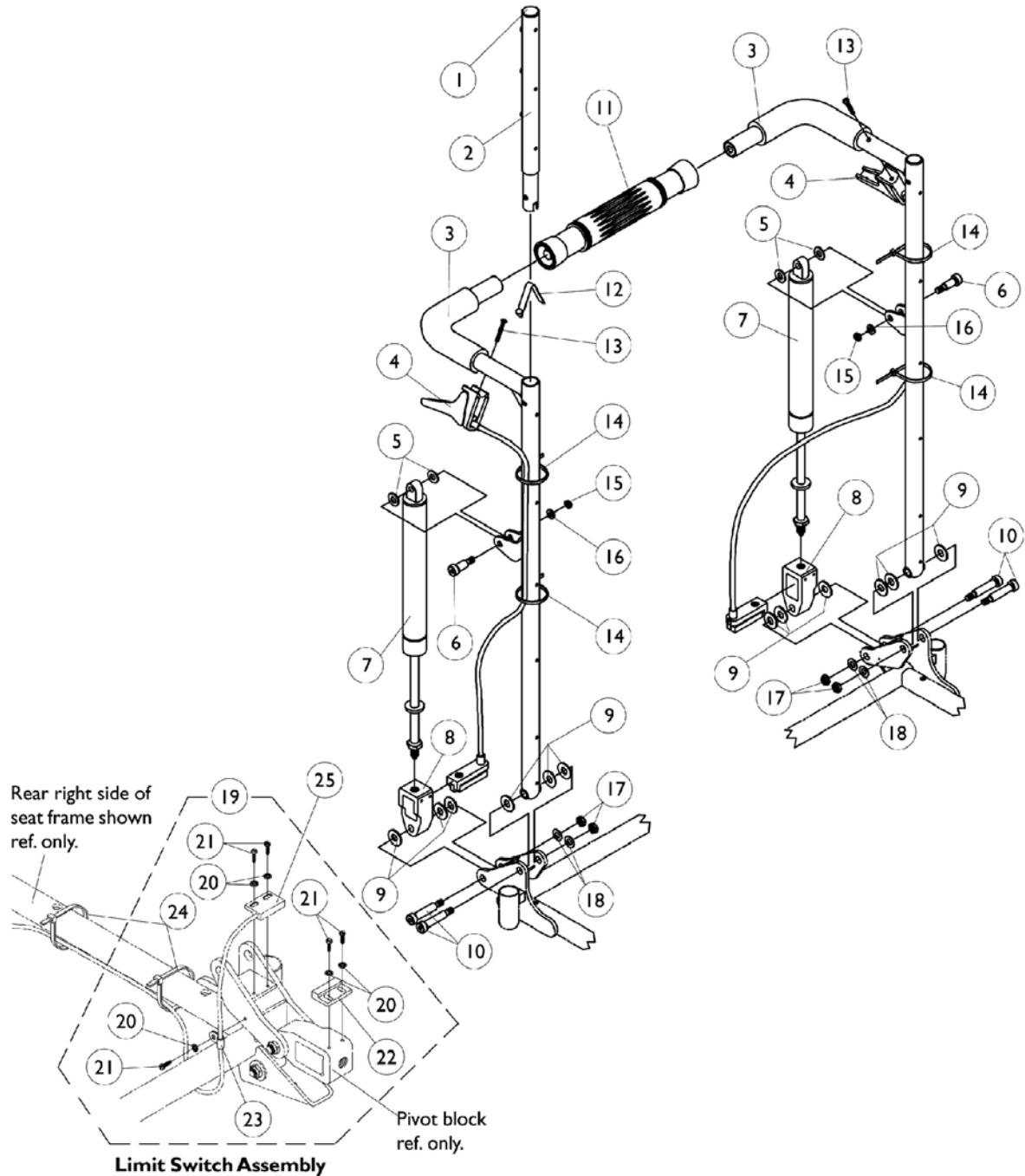
Back Upholstery - Vinyl Non-Recliner

Hardware

Back Upholstery Hardware	1026298
Consists of:	
2 each	Screw with Washer (10 x 7/8")
2 each	Cable Ties

Recliner Back Assembly

For ASBA Seat Frames (Before 7/5/05)



NOTE: Sensor actuator used with a recliner harness and sensor cable to serve as a drive lockout safety feature.

Recliner Back Assembly

For ASBA Seat Frames (Before 7/5/05)

#3 Back Cane with Grip

Back Height	16"-17" Wide Rt.	16"-17" Wide Lt.	18"-24" Wide Rt.	18"-24" Wide Lt.
18" H	1052079	1052080	1052089	1052090
20" H	1052081	1052082	1052091	1052092
22" H	1052083	1052084	1052093	1052094
24" H	1052085	1052086	1052095	1052096
26" H	1052087	1052088	1052097	1052098
NOTE: When converting a non-recliner to a manual recline, a recline wire harness must be ordered as well. See Battery Charger and Harness page.				

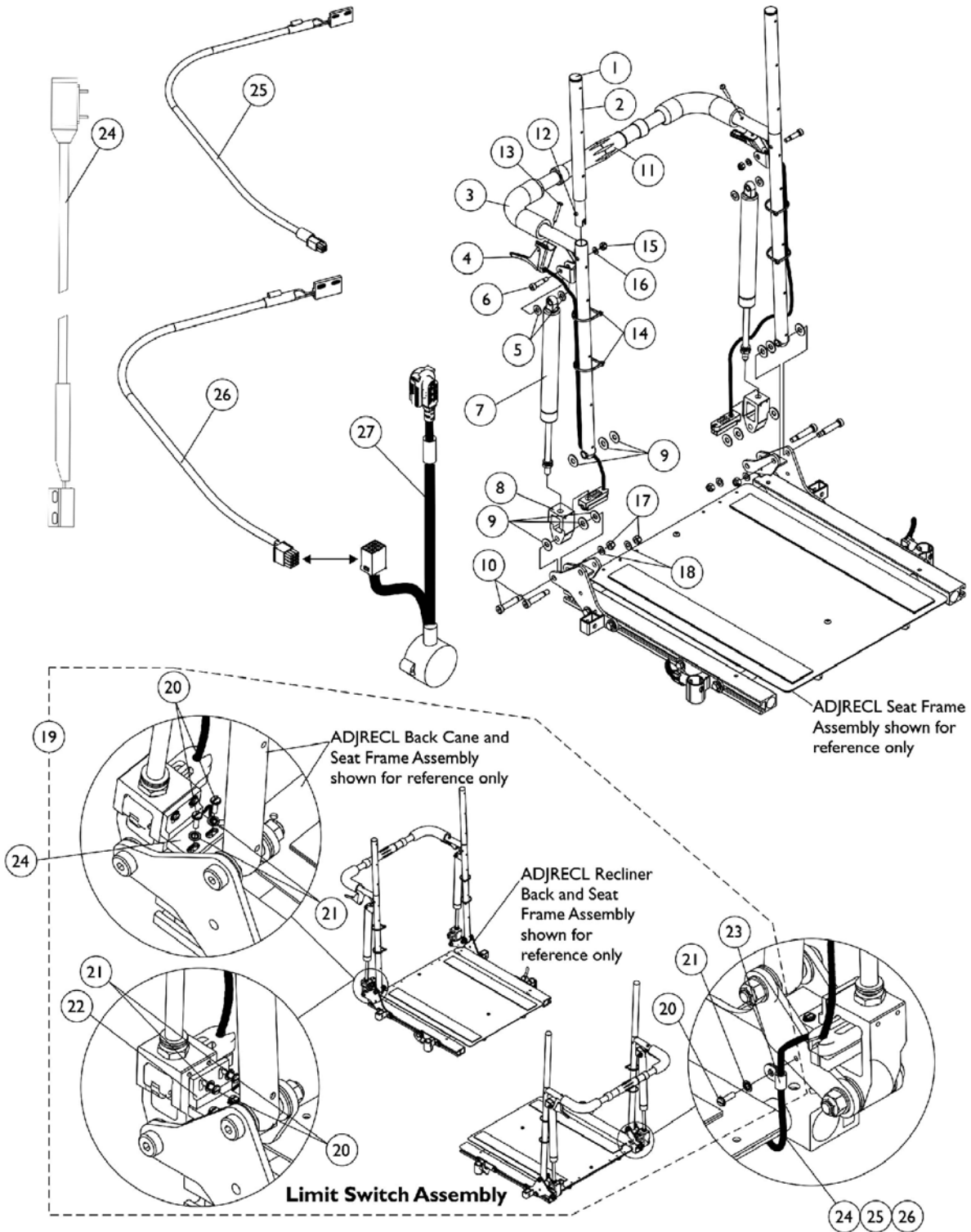
Recliner Back Assembly For ASBA Seat Frames (Before 7/5/05)

Item Number	Note	Part Number	Description	Quantity Per	
				Package	Assembly
1		1027095	Plug Button, Black (7/8")	1	2
2		1052997	Tube, Headrest with Plug Button, without Snap Buttons - Right	1	1
2		1052998	Tube, Headrest with Plug Button, without Snap Buttons - Left	1	1
3		See Chart	#3 Back Cane with Grip	1	1
4	B	1050214	Cable with Trigger	1	2
4	C	1050215	Cable with Trigger	1	2
4	D	1050216	Cable with Trigger	1	2
5		1026032	Washer, Nylon (11/32 x 11/16 x 1/16")	1	4
6		1050153	Screw, Socket Head Shoulder (5/16 x 7/8")	1	2
7	E	1050154	Lock Cylinder, Recline	1	2
7	F	1050306	Lock Cylinder	1	2
8		1050136	Pivot Block	1	2
9		1012371	Washer, Nylon (3/8 x 7/8 x 1/16")	1	12
10		1031665	Screw, Socket Head Shoulder (3/8 x 1-1/2")	1	4
11	G	1050293	Bar, Spreader, Black (14-20")	1	1
11	H	1050294	Bar, Spreader, Black (21-24")	1	1
12		1024713	Spring, Torsion w/ Button	1	2
13		1091417	Screw, Phillips Pan Head (#10-24 x 1-1/4")	1	2
14		1095503	Package, Cable Ties (5-5/8" Long)	10	1
15		1025736	Locknut (1/4-20)	1	2
16		1026907	Washer (1/4 x 1/2 x 1/16")	1	2
17		1026158	Locknut (5/16-18)	1	4
18		1025704	Washer, Flat (5/16 x 5/8 x 1/16")	1	4
19	A	1053178	Switch Assembly, Limit	1	1
20		1008525	Washer, Internal Tooth Lock (#4-40)	1	5
21		1025116	Screw, Slotted Hex Head (#4-3/8")	1	5
22		1024001	Sensor, Actuator Switch	1	1
23		1050310	Clamp, Cable	1	1
24		1095503	Package, Cable Ties (5-5/8" Long)	10	1
25		1092913	Cable, Drive Lockout Sensor	1	1

NOTE: A - Includes items 20-24. Sensor cable is not included, see item 25
 B - 26" high back canes
 C - 22-24" high back canes
 D - 18-20" high back canes
 E - 250 lb. weight limit
 F - 251-400 lb. weight limit
 G - 16-17" wide
 H - 18-24" wide

Recliner Back Assembly

For ADJRECL Seat Frames (After 7/4/05)



Recliner Back Assembly

For ADJRECL Seat Frames (After 7/4/05)

#3 Back Cane with Grip

Back Height	16"-17" Wide Rt.	16"-17" Wide Lt.	18"-24" Wide Rt.	18"-24" Wide Lt.
18" H	1052079	1052080	1052089	1052090
20" H	1052081	1052082	1052091	1052092
22" H	1052083	1052084	1052093	1052094
24" H	1052085	1052086	1052095	1052096
26" H	1052087	1052088	1052097	1052098

Recliner Back Assembly

For ADJRECL Seat Frames (After 7/4/05)

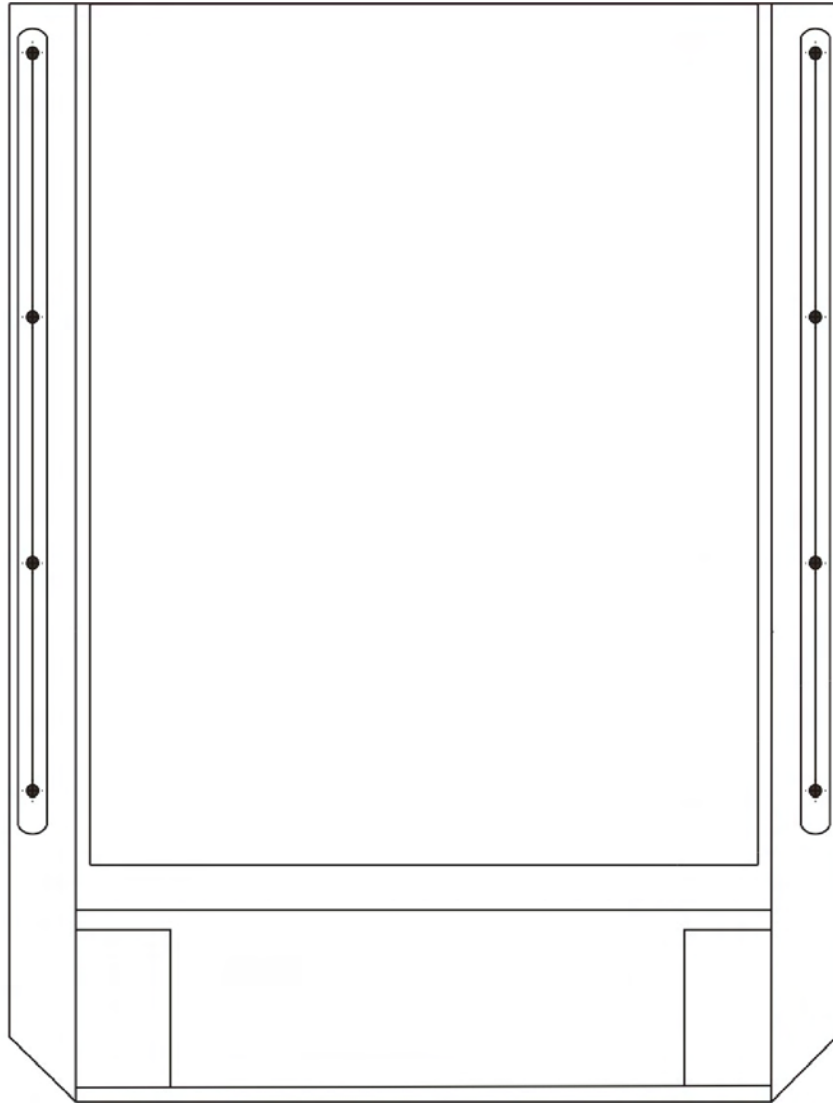
Item Number	Note	Part Number	Description	Quantity Per	
				Package	Assembly
1		1027095	Plug Button, Black (7/8")	1	2
2		1052997	Tube, Headrest with Plug Button, without Snap Buttons - Right	1	1
2		1052998	Tube, Headrest with Plug Button, without Snap Buttons - Left	1	1
3		See Chart	#3 Back Cane with Grip	1	1
4	B	1050214	Cable with Trigger	1	2
4	C	1050215	Cable with Trigger	1	2
4	D	1050216	Cable with Trigger	1	2
5		1026032	Washer, Nylon (11/32 x 11/16 x 1/16")	1	4
6		1050153	Screw, Socket Head Shoulder (5/16 x 7/8")	1	2
7	E	1050154	Lock Cylinder, Recline	1	2
7	F	1050306	Lock Cylinder	1	2
8		1050136	Pivot Block	1	2
9		1012371	Washer, Nylon (3/8 x 7/8 x 1/16")	1	12
10		1031665	Screw, Socket Head Shoulder (3/8 x 1-1/2")	1	4
11	G	1050293	Bar, Spreader, Black (14-20")	1	1
11	H	1050294	Bar, Spreader, Black (21-24")	1	1
12		1024713	Spring, Torsion w/ Button	1	2
13		1091417	Screw, Phillips Pan Head (#10-24 x 1-1/4")	1	2
14		1095503	Package, Cable Ties (5-5/8" Long)	10	1
15		1025736	Locknut (1/4-20)	1	2
16		1026907	Washer (1/4 x 1/2 x 1/16")	1	2
17		1026158	Locknut (5/16-18)	1	4
18		1025704	Washer, Flat (5/16 x 5/8 x 1/16")	1	4
19	A	1134498	Kit, Limit Switch Assembly	1	1
20			Screw, Slotted Hex Head (#4-3/8")	1	5
21			Washer, Internal Tooth Lock (#4-40)	1	5
22			Sensor, Actuator Switch	1	1
23			Clamp, Cable	1	1
24		1092913	Cable, Drive Lockout Sensor	1	1
25	I	1146573	Cable, Drive Lockout Sensor (MK6i)	1	1
26	J	1144926	Cable, Drive Lockout Sensor (MK6i)	1	1
27	K	1142231	Cable, GB TT Interface	1	1

Recliner Back Assembly

For ADJRECL Seat Frames (After 7/4/05)

NOTE: A - Includes items 20-23. Cable sensor is not included, see item 24, 25 or 26
B - 26" high back canes
C - 22-24" high back canes
D - 18-20" high back canes
E - 250 lb. weight limit
F - 251-400 lb. weight limit
G - 16-17" wide
H - 18-24" wide
I - Sensor Cable used for chairs manufactured with MK6i electronics and 4-Pole Motors only.
J - Sensor Cable used with item 27 GB TT Interface Cable for chairs manufactured with MK6i Electronics and GB TT Motors
K - Interface Cable used with item 26 Sensor Cable for chairs manufactured with MK6i Electronics and GB TT Motors

Back Upholstery - Nylon Recliner



Single Liners

Width	18" High	20" High	22" High	24" High	26" High
16" W	1050314	1050319	1050324	1050329	1050334
17" W	1050315	1050320	1050325	1050330	1050335
18" W	1050316	1050321	1050326	1050331	1050336

Back Upholstery - Nylon Recliner

Dual Liners

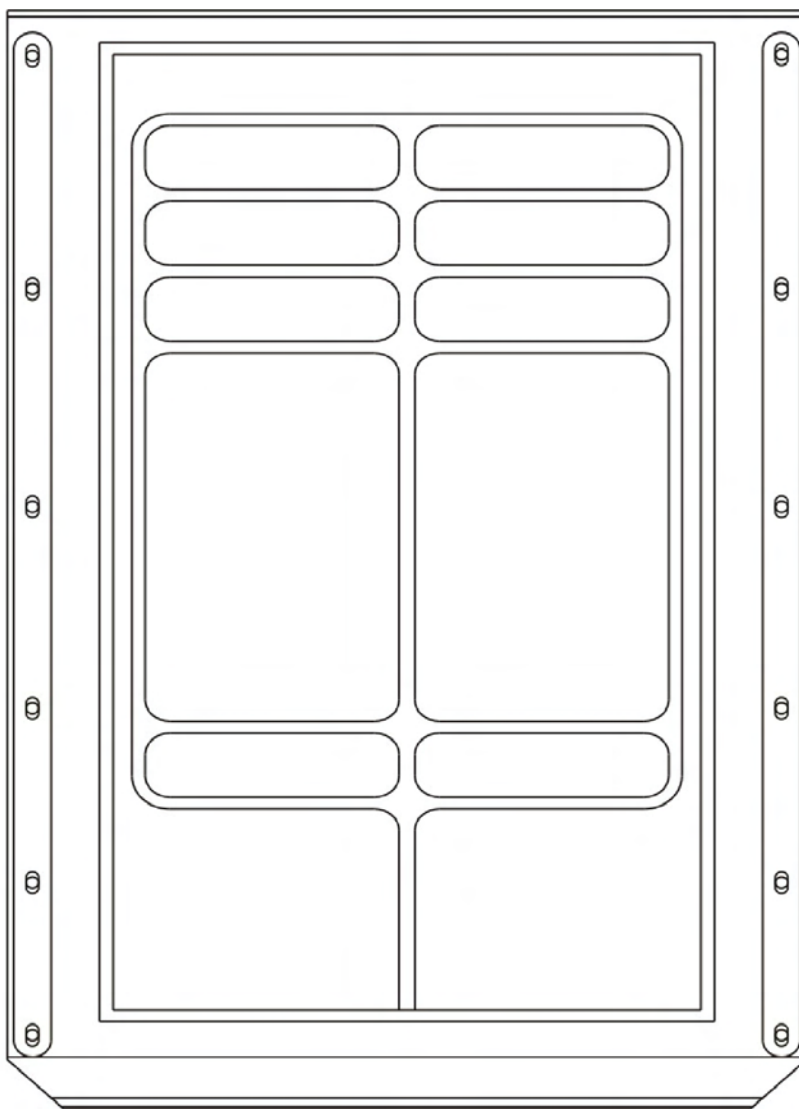
Width	18" High	20" High	22" High	24" High	26" High
16" W	1050339	1050350	1050361	1050372	1050383
17" W	1050340	1050351	1050362	1050373	1050384
18" W	1050341	1050352	1050363	1050374	1050385
19" W	1050342	1050353	1050364	1050375	1050386
20" W	1050343	1050354	1050365	1050376	1050387
21" W	1050344	1050355	1050366	1050377	1050388
22" W	1050345	1050356	1050367	1050378	1050389
23" W	1050346	1050357	1050368	1050379	1050390
24" W	1050347	1050358	1050369	1050380	1050391

NOTE: Dual liner back upholstery is used with chairs that have a seat deeper than 17" or back wider than 18".

Hardware

Back Upholstery Hardware	1027059
Consists of:	
10 each	Screw with Washer (10 x 7/8")

Back Upholstery - Vinyl Recliner



Single Liners

Width	18" High	20" High	22" High	24" High	26" High
16" W	8881050563	8881050568	8881050573	8881050578	8881050583
17" W	8881050564	8881050569	8881050574	8881050579	8881050584
18" W	8881050565	8881050570	8881050575	8881050580	8881050585

NOTE: Specify upholstery color. See page titled Frame Finishes, Touch-Up Paints and Upholstery Options page.

Back Upholstery - Vinyl Recliner

Dual Liners

Width	18" High	20" High	22" High	24" High	26" High
16" W	8881050588	8881050599	8881050610	8881050621	8881050632
17" W	8881050589	8881050600	8881050611	8881050622	8881050633
18" W	8881050590	8881050601	8881050612	8881050623	8881050634
19" W	8881050591	8881050602	8881050613	8881050624	8881050635
20" W	8881050592	8881050603	8881050614	8881050625	8881050636
21" W	8881050593	8881050604	8881050615	8881050626	8881050637
22" W	8881050594	8881050605	8881050616	8881050627	8881050638
23" W	8881050595	8881050606	8881050617	8881050628	8881050639
24" W	8881050596	8881050607	8881050618	8881050629	8881050640

NOTE: Dual liner back upholstery is used with chairs that have a seat deeper than 17" or back wider than 18".

NOTE: Specify upholstery color. See page titled Frame Finishes, Touch-Up Paints and Upholstery Options page.

Back Upholstery Hardware	1027059
Consists of:	
10 each	Screw with Washer (10 x 7/8")

Headrest Upholstery and Pillows

Recliner

Nylon Headrest

Chair Width	Part Number
16" W	1054628
17" W	1055281
18" W	1054629
19" W	1055282
20" W	1055283
21" W	1055284
22" W	1055285
23" W	1055286
24" W	1055287

Vinyl Headrest

Chair Width	Part Number
16" W	8881054631
17" W	8881055289
18" W	8881054632
19" W	8881055290
20" W	8881055291
21" W	8881055292
22" W	8881055293
23" W	8881055294
24" W	8881055295

NOTE: Specify upholstery color when ordering. See page titled Frame Finishes, Touch-Up Paints and Upholstery Options

Headrest Upholstery and Pillows Recliner

Back Upholstery Hardware	1030441
Consists of:	
6 each	Screw with Washer (10 x 7/8")

Headrest Pillows - Nylon

Chair Width	16"-18" W	19"-22" W	23"-24" W
Part Number	1054896	1054598	1055274

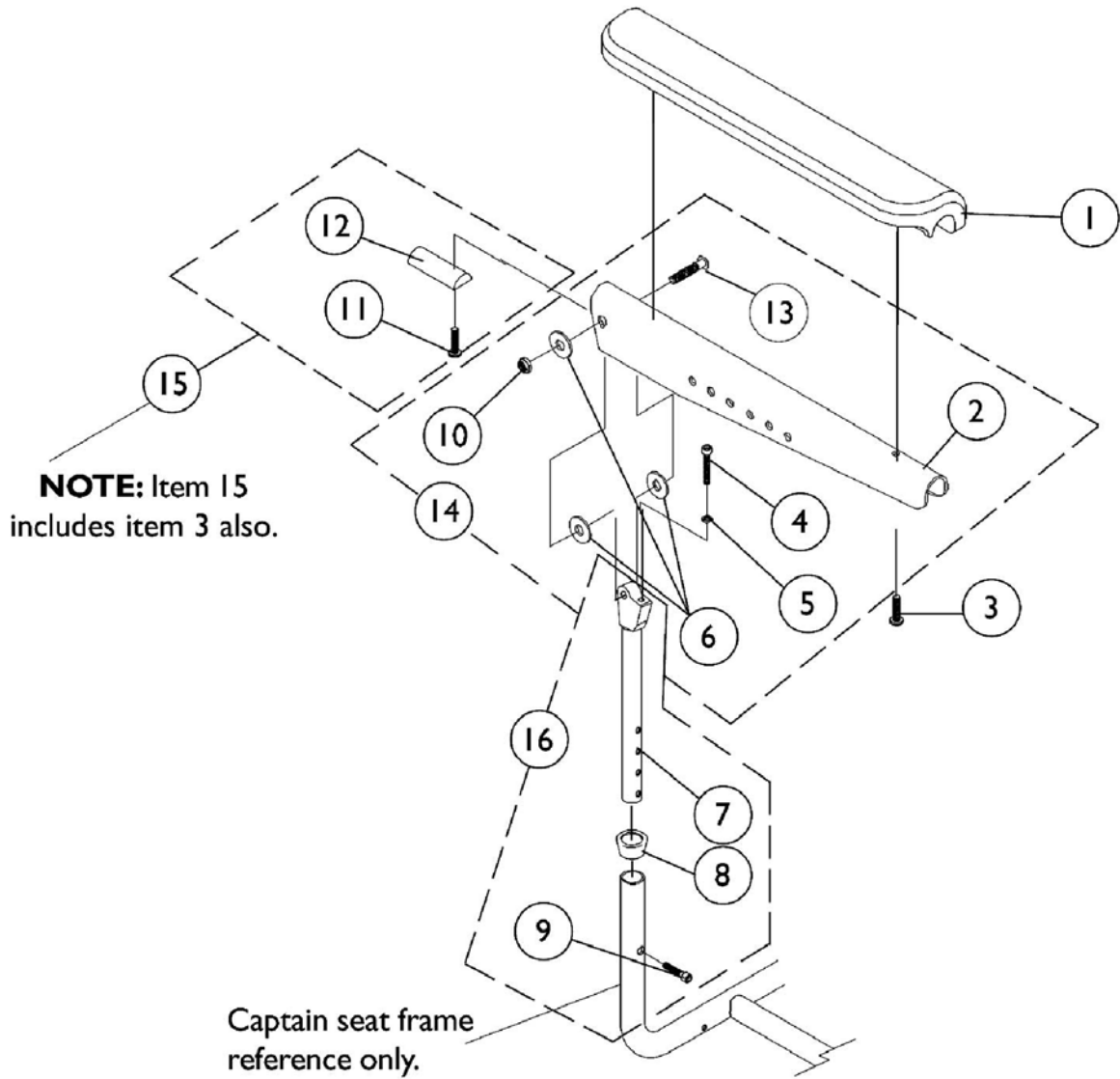
Headrest Pillows - Vinyl

Chair Width	16"-18" W	19"-22" W	23"-24" W
Part Number	8881054619	8881054623	8881055277

NOTE: Specify upholstery color when ordering. See page titled Frame Finishes, Touch-Up Paints and Upholstery Options

Captain Seat Arms and Hardware

18" Wide Models



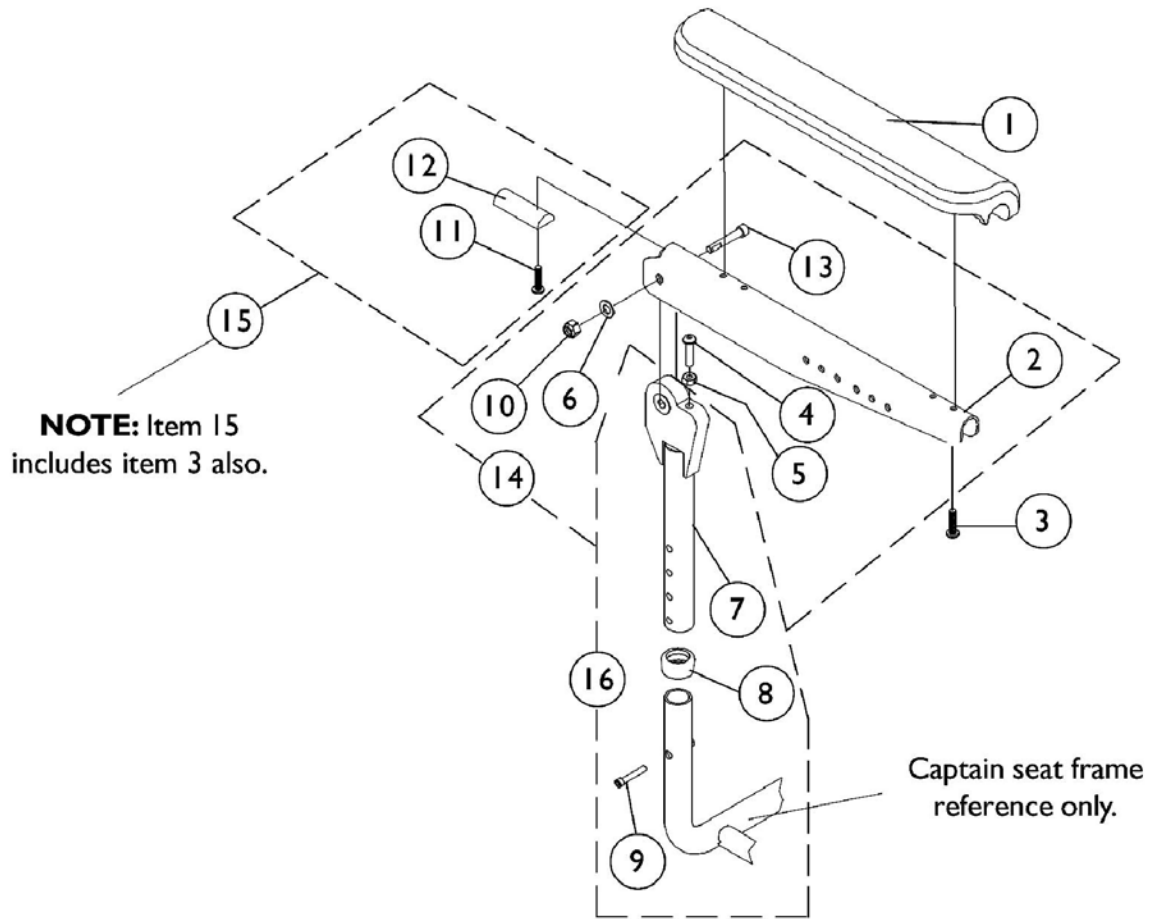
Captain Seat Arms and Hardware 18" Wide Models

Item Number	Note	Part Number	Description	Quantity Per	
				Package	Assembly
1	A,E	1117328	Arm Pad, Full Length, Urethane Waterfall with Screws, Black (13" L x 2-5/8" W)	1	2
2		1071359	Plate, Armrest (Black)	1	2
3		1028755	Screw, Phillips Pan Head (#10-32 x 5/8")	1	4
4		1009837	Screw, Socket Button Head (1/4-20 x 1")	1	2
5		1025711	Nut, Hex (1/4-20)	1	2
6		1025704	Washer, Flat (5/16 x 5/8 x 1/16")	1	6
7		1070928	Arm Tube, Upper Height and Width Adjustable (Black)	1	2
8		15680X013	Anti-Rattle (1")	1	2
9		7930304	Screw, Socket Head (1/4-20 x 1-1/4")	25	2
10		1026906	Locknut (5/16-24)	1	2
11		1102546	Screw, Phillips Pan Head (#10-32 x 7/8")	1	2
12		1070106	Insert, Armrest	1	2
13		1031026	Screw w/ Lug (5/16-24 x 1-3/8")	1	2
14	B	1074120	Kit, Armrest Attaching Hardware (Pair)	2	1
15	C	1073378	Kit, Arm Pad Attaching Hardware	2	1
16	D	1070756	Arm Tube Assembly, Upper Adjustable (Pair)	2	1

NOTE: A - As of 1/3/02 upholstered waterfall armpads were replaced with black urethane waterfall armpads. Order in pairs for chairs manufactured before 1/3/02.
 B - Includes items 2, 4, 5, 6, 10, 13
 C - Includes items 3, 11, 12
 D - Includes items 7-9
 E - After 7/9/07 Invacare recommends ordering armpads in pairs to assure uniform appearance on chair

Captain Seat Arms and Hardware

20" and 22" Wide Models



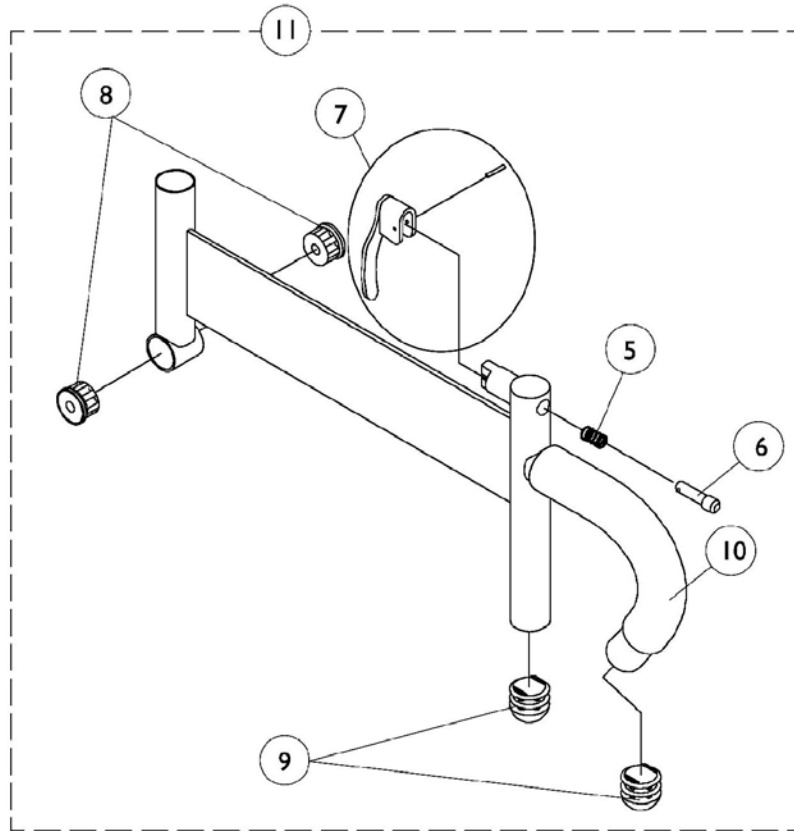
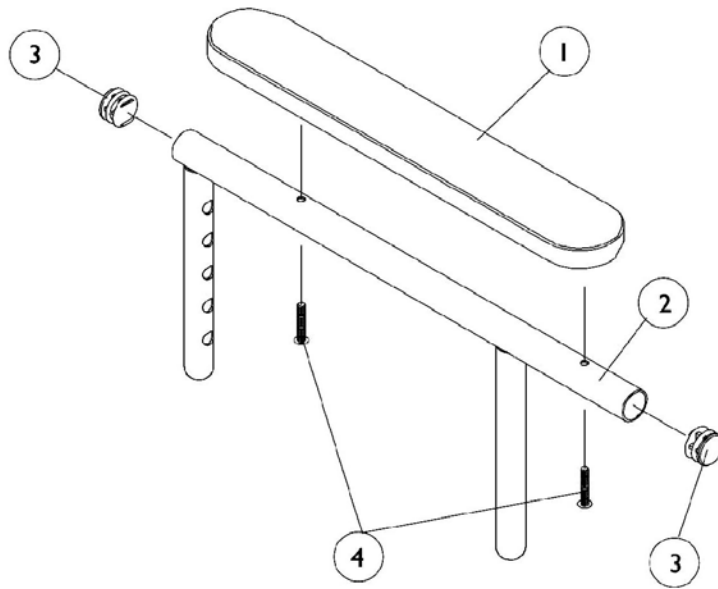
Captain Seat Arms and Hardware 20" and 22" Wide Models

Item Number	Note	Part Number	Description	Quantity Per	
				Package	Assembly
1	A,E	1117328	Arm Pad, Full Length, Urethane Waterfall with Screws, Black (13" L x 2-5/8" W)	1	2
2		1101912	Plate, Armrest	1	2
3		1028755	Screw, Phillips Pan Head (#10-32 x 5/8")	1	2
4		1009837	Screw, Socket Button Head (1/4-20 x 1")	1	2
5		1025711	Nut, Hex (1/4-20)	1	2
6		1025704	Washer, Flat (5/16 x 5/8 x 1/16")	1	2
7		1101914	Arm Tube, Upper Adjustable	1	2
8		1101110	Anti-Rattle	1	2
9		1038379	Screw, Socket Head Cap w/ Patch (1/4-20 x 1-1/2")	1	2
10		1026906	Locknut (5/16-24)	1	2
11		1102546	Screw, Phillips Pan Head (#10-32 x 7/8")	1	2
12		1101634	Insert, Armrest	1	2
13		1031026	Screw w/ Lug (5/16-24 x 1-3/8")	1	2
14	B	1101917	Hardware, Armrest Attaching (Pair)	2	1
15	C	1101916	Hardware, Arm Pad Attaching (Pair)	2	1
16	D	1101915	Arm Tube Assembly, Upper Adjustable (Pair)	2	1

NOTE: A - As of 1/3/02 upholstered waterfall armpads were replaced with black urethane waterfall armpads. Order in pairs for chairs manufactured before 1/3/02.
 B - Includes items 2, 4, 5, 6, 10, 13
 C - Includes items 3, 11, 12
 D - Includes items 7-9
 E - After 7/9/07 Invacare recommends ordering armpads in pairs to assure uniform appearance on chair

Arms, Adjustable Height

(12-13" W x 12-15" D)/(14-15" W x 12-22" D) ASBA Seats & (12-16" W x 12-18" D) ADJASBA Seats

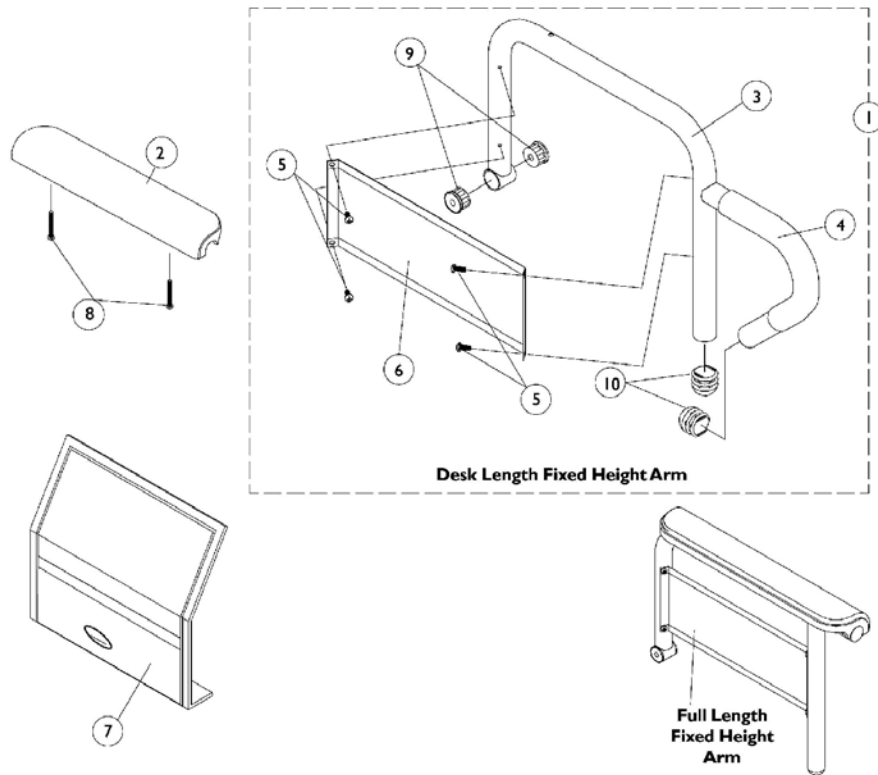


Arms, Adjustable Height (12-13" W x 12-15" D)/(14-15" W x 12-22" D) ASBA Seats & (12-16" W x 12-18" D) ADJASBA Seats

Item Number	Note	Part Number	Description	Quantity Per	
				Package	Assembly
1	A	8881015932	Arm Pad, Vinyl, Full Length (14" L x 2" W) - Right	1	1
1	A	8881015933	Arm Pad, Vinyl, Full Length (14" L x 2" W) - Left	1	1
1	A	8881053577	Arm Pads, Vinyl, Full Length with Screws (14" L x 2" W)	2	1
1	A	8881011811	Arm Pad, Vinyl, Desk Length (9" L x 2" W)	1	1
1	A	8881053578	Arm Pads, Vinyl, Desk Length with Screws (9" L x 2" W)	2	1
2		1071263	Upper Arm Assembly, Adjustable Height with Plug Buttons - Full Length	1	1
2		1071259	Upper Arm Assembly, Adjustable Height with Plug Buttons - Desk Length	1	1
3		1027095	Plug Button, Black (7/8")	1	2
4		1055949	Screws, Phillips Pan Head (#10-32 x 1-1/8")	2	1
5		47471X074	Spring, Arm Lock	1	1
6		1028594	Pin, Arm Lock	1	1
7		1090768	Kit, Lock Handle w/Rivets (both LT & RT side)	2	1
8		1065936	Plug, Pivot	1	2
9		1067734	Plug Button, Black (5/8")	1	2
10		1016298	Grip, Push Handle	1	1
11		1068585	Arm Base Assembly, Adjustable Height - Right (Black)	1	1
11		1068586	Arm Base Assembly, Adjustable Height - Left (Black)	1	1

NOTE: A - Specify upholstery color when ordering. See page titled Frame Finishes, Touch-Up Paints and Upholstery Options

Arms, Fixed Height (16"-24" Wide) x (16"-22" Deep) Seat Frames



#1 Arms Less Pad

16"-19" Deep Seat Frames

Arm Style	Right	Left
Desk Length	1068566	1068567
Full Length	1068559	1068560

Arms, Fixed Height (16"-24" Wide) x (16"-22" Deep) Seat Frames

#1 Arms Less Pad

20" and Deeper Seat Frames

Arm Style	Right	Left
Desk Length See Note(s) A	1068540	1068541 See Note(s) A
Full Length	1068528 See Note(s) A	1068529 See Note(s) A
NOTE: A - The ADJASBA seat frame for 19-22" depths must use the 16-19" deep arms only.		

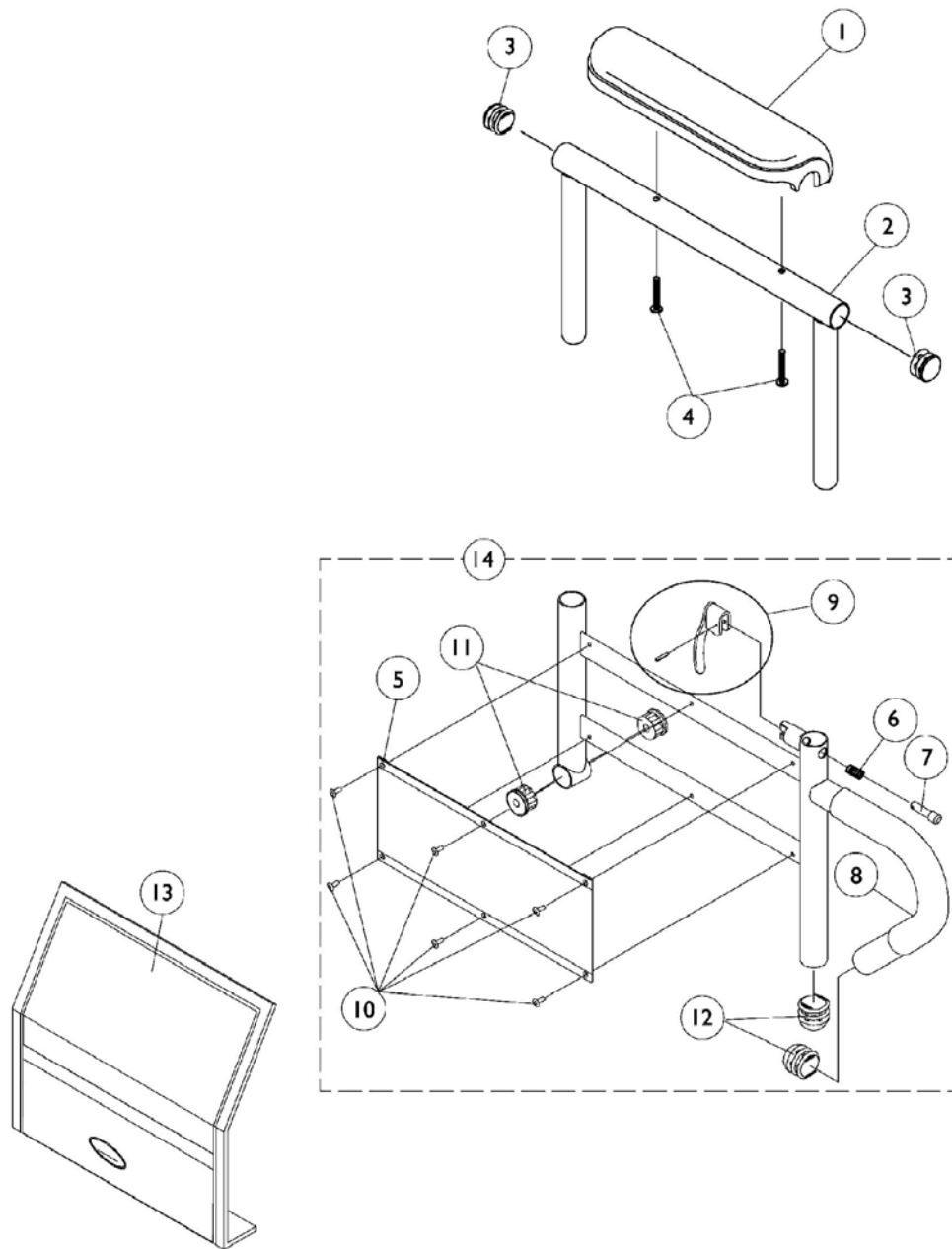
Arms, Fixed Height (16"-24" Wide) x (16"-22" Deep) Seat Frames

Item Number	Note	Part Number	Description	Quantity Per	
				Package	Assembly
1		See Chart	#1 Arms Less Pad - 16"-19" Deep Seat Frames	1	1
1	C	See Chart	#1 Arms Less Pad - 20" and Deeper Seat Frames	1	1
2	A,D	1117328	Arm Pad, Full Length, Urethane Waterfall with Screws, Black (13" L x 2-5/8" W)	1	1
2		1110818	Arm Pads, Full Length, Urethane Waterfall with Screws, Black (13" L x 2-5/8" W) (Pair)	2	1
2	A,D	1117327	Arm Pad, Desk Length, Urethane Waterfall with Screws, Black (9" L x 2-5/8" W)	1	1
2		1110817	Arm Pads, Desk Length, Urethane Waterfall with Screws, Black (9" L x 2-5/8" W) (Pair)	2	1
3		1068564	Arm Tube, Desk Length 16-19" Deep - Right (Black)	1	1
3		1068565	Arm Tube, Desk Length 16-19" Deep - Left (Black)	1	1
3	C	1068414	Arm Tube, Desk Length Long 20" and Deeper - Right (Black)	1	1
3	C	1068415	Arm Tube, Desk Length Long 20" and Deeper - Left (Black)	1	1
3		1068490	Arm Tube, Full Length Standard 16-19" Deep - Right (Black)	1	1
3		1068491	Arm Tube, Full Length Standard 16-19" Deep - Left (Black)	1	1
3	C	1068473	Arm Tube, Full Length Long 20" and Deeper - Right (Black)	1	1
3	C	1068474	Arm Tube, Full Length Long 20" and Deeper - Left (Black)	1	1
4		1032244	Grip, Foam Hand (9" Long)	1	1
4		1135508	Package, Foam Hand Grips (9" Long)	10	1
5		1025729	Screw, Self Tapping Pan Head (#8-32 x 3/8")	1	4
6		1035472	Clothing Guard, Desk Length	1	1
6		1044572	Clothing Guard, Full Length 16-19" Deep	1	1
6	C	1044005	Clothing Guard, Full Length 20" and Deeper	1	1
7		1035065	Cover, Clothing Guard with Pocket - For Fixed Height Desk Length & Adjustable Height Full/Desk Length	1	1
7		1044588	Cover, Clothing Guard with Pocket For Fixed Height Full Length - 20" and Deeper	1	1
8		1055949	Screws, Phillips Pan Head (#10-32 x 1-1/8")	2	1
8	B	1094270	Screw, Phillips Pan Head (#10-32 x 1-1/4") (Pair)	2	1
9		1065936	Plug, Pivot	1	2
10		1067734	Plug Button, Black (5/8")	1	2

Arms, Fixed Height (16"-24" Wide) x (16"-22" Deep) Seat Frames

NOTE: A - As of 1/3/02 upholstered waterfall arm pads were replaced with black urethane waterfall arm pads. Order in pairs with screws for chairs manufactured before 1/3/02.
B - For Black Urethane Waterfall Arm pads only.
C - The ADJASBA seat frame for 19-22" depths must use the 16-19" deep arms only.
D - After 7/9/07 Invacare recommends ordering armpads in pairs to assure uniform appearance on chair

Arms, Adjustable Height (16"-24" Wide) x (16"- 22" Deep) Seat Frames



Arms, Adjustable Height (16"-24" Wide) x (16"- 22" Deep) Seat Frames

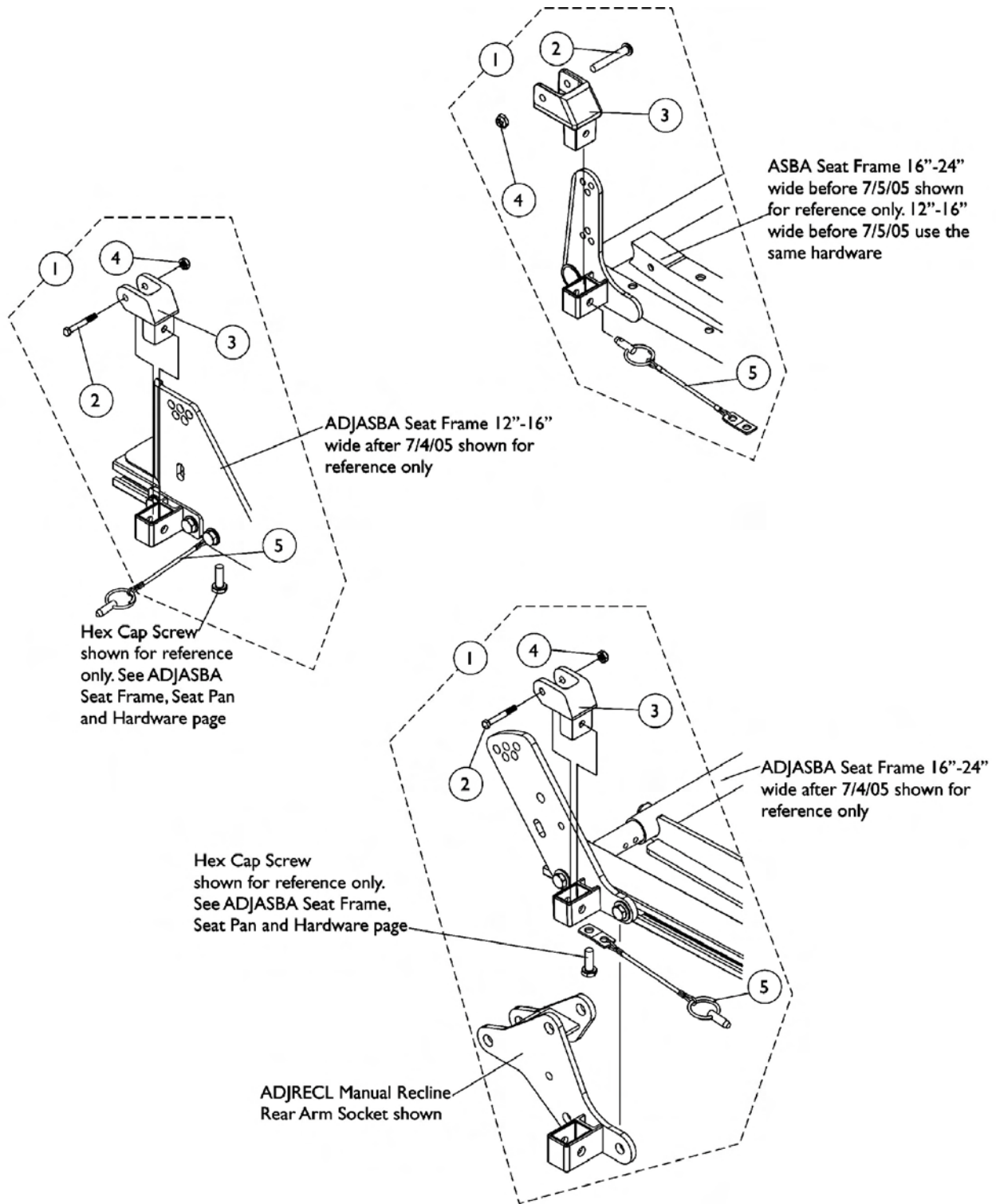
Item Number	Note	Part Number	Description	Quantity Per	
				Package	Assembly
1	A,D	1117328	Arm Pad, Full Length, Urethane Waterfall with Screws, Black (13" L x 2-5/8" W)	1	1
1		1110818	Arm Pads, Full Length, Urethane Waterfall with Screws, Black (13" L x 2-5/8" W) (Pair)	2	1
1	A,D	1117327	Arm Pad, Desk Length, Urethane Waterfall with Screws, Black (9" L x 2-5/8" W)	1	1
1		1110817	Arm Pads, Desk Length, Urethane Waterfall with Screws, Black (9" L x 2-5/8" W) (Pair)	2	1
2		1071253	Arm Top, Adjustable Height with Plug Buttons - Full Length (Black)	1	1
2		1070859	Arm Tube, Upper with Plug Buttons (Black) - Desk Length	1	1
3		1027095	Plug Button, Black (7/8")	1	2
4		1055949	Screws, Phillips Pan Head (#10-32 x 1-1/8")	2	1
4	B	1094270	Screw, Phillips Pan Head (#10-32 x 1-1/4") (Pair)	2	1
5		1064130	Clothing Guard	1	1
6		47471X074	Spring, Arm Lock	1	1
7		1028594	Pin, Arm Lock	1	1
8		1032244	Grip, Foam Hand (9" Long)	1	1
8		1135508	Package, Foam Hand Grips (9" Long)	10	1
9		1090768	Kit, Lock Handle w/Rivets (both LT & RT side)	2	1
10		1028645	Rivet	1	6
11		1065936	Plug, Pivot	1	2
12		1067734	Plug Button, Black (5/8")	1	2
13		1035065	Cover, Clothing Guard with Pocket - For Fixed Height Desk Length & Adjustable Height Full/Desk Length	1	1
14		1068416	Arm Base, Adjustable Height 16-19" Deep - Right (Black)	1	1
14		1068417	Arm Base, Adjustable Height 16-19" Deep - Left (Black)	1	1
14	C	1068418	Arm Base, Adjustable Height 20" and Deeper - Right (Black)	1	1
14	C	1068419	Arm Base, Adjustable Height 20" and Deeper - Left (Black)	1	1
14		1067761	Arm Base, 1" Lower, Adjustable Height 16-19" Deep - Right (Black)	1	1
14		1067762	Arm Base, 1" Lower, Adjustable Height 16-19" Deep - Left (Black)	1	1
14	C	1067755	Arm Base, 1" Lower, Adjustable Height 20" and Deeper - Right (Black)	1	1
14	C	1067756	Arm Base, 1" Lower, Adjustable Height 20" and Deeper - Left (Black)	1	1

Arms, Adjustable Height (16"-24" Wide) x (16"- 22" Deep) Seat Frames

NOTE: A - As of 1/3/02 upholstered waterfall armpads were replaced with black urethane waterfall armpads. Order in pairs with screws for chairs manufactured before 1/3/02.
B - For Black Urethane Waterfall Armpads only
C - The ADJASBA seat frame for 19-22" depths must use the 16-19" deep arms only.
D - After 7/9/07 Invacare recommends ordering armpads in pairs to assure uniform appearance on chair

Arm Mounting Swingaway Hardware

ASBA and ADJASBA/ADJRECL Seats



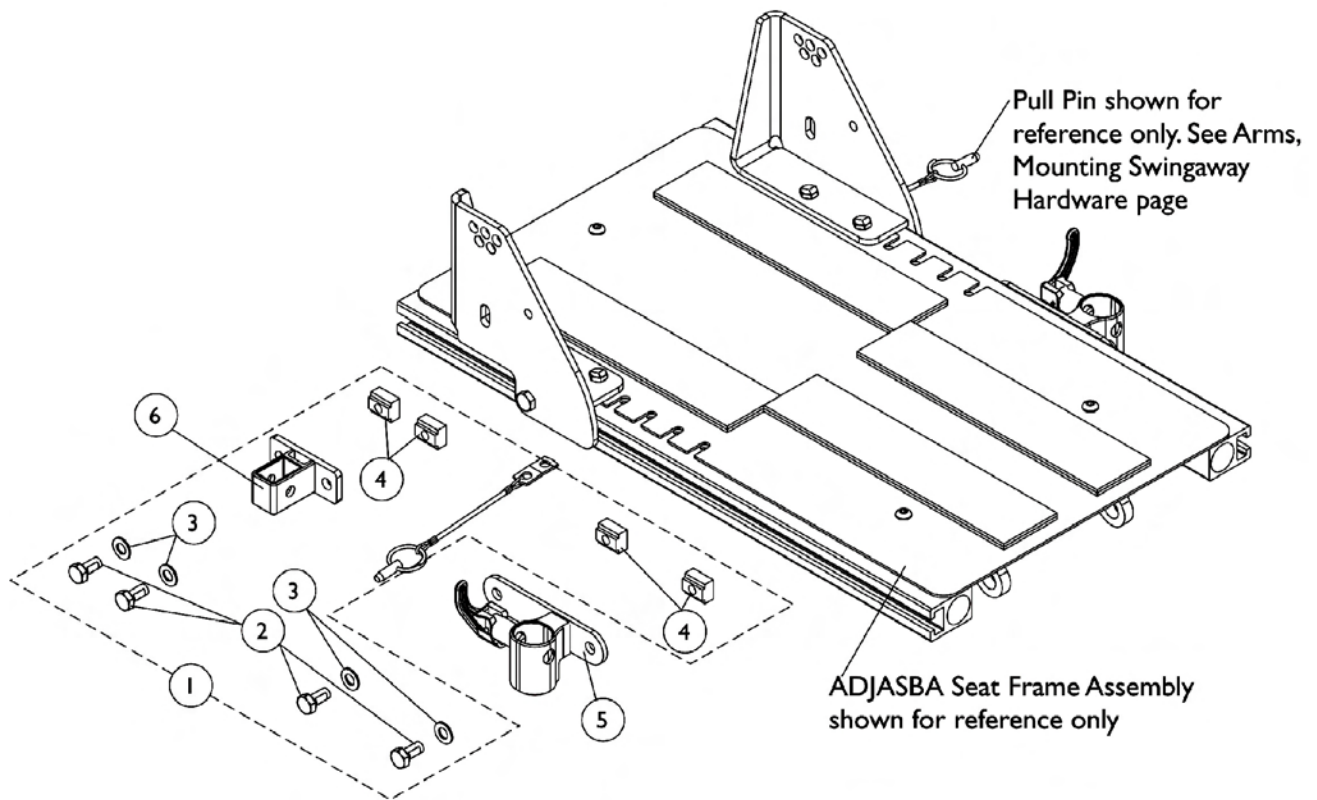
Arm Mounting Swingaway Hardware ASBA and ADJASBA/ADJRECL Seats

Item Number	Note	Part Number	Description	Quantity Per	
				Package	Assembly
1	A	1068488	Kit, Swingaway Armrest Mounting Hardware	1	1
2		1019590	Screw, Socket Button Head (1/4-20 x 1-5/8")	1	1
3		1068025	Clevis, Pivot	1	1
4		1025195	Locknut (1/4-20)	1	1
5		1068039	Pin, Pull	1	1

NOTE: A - Includes items 2-5

Front/Rear Arm Socket Assembly and Hardware

ADJASBA Seat (12"-16" Wide) (After 7/4/05)



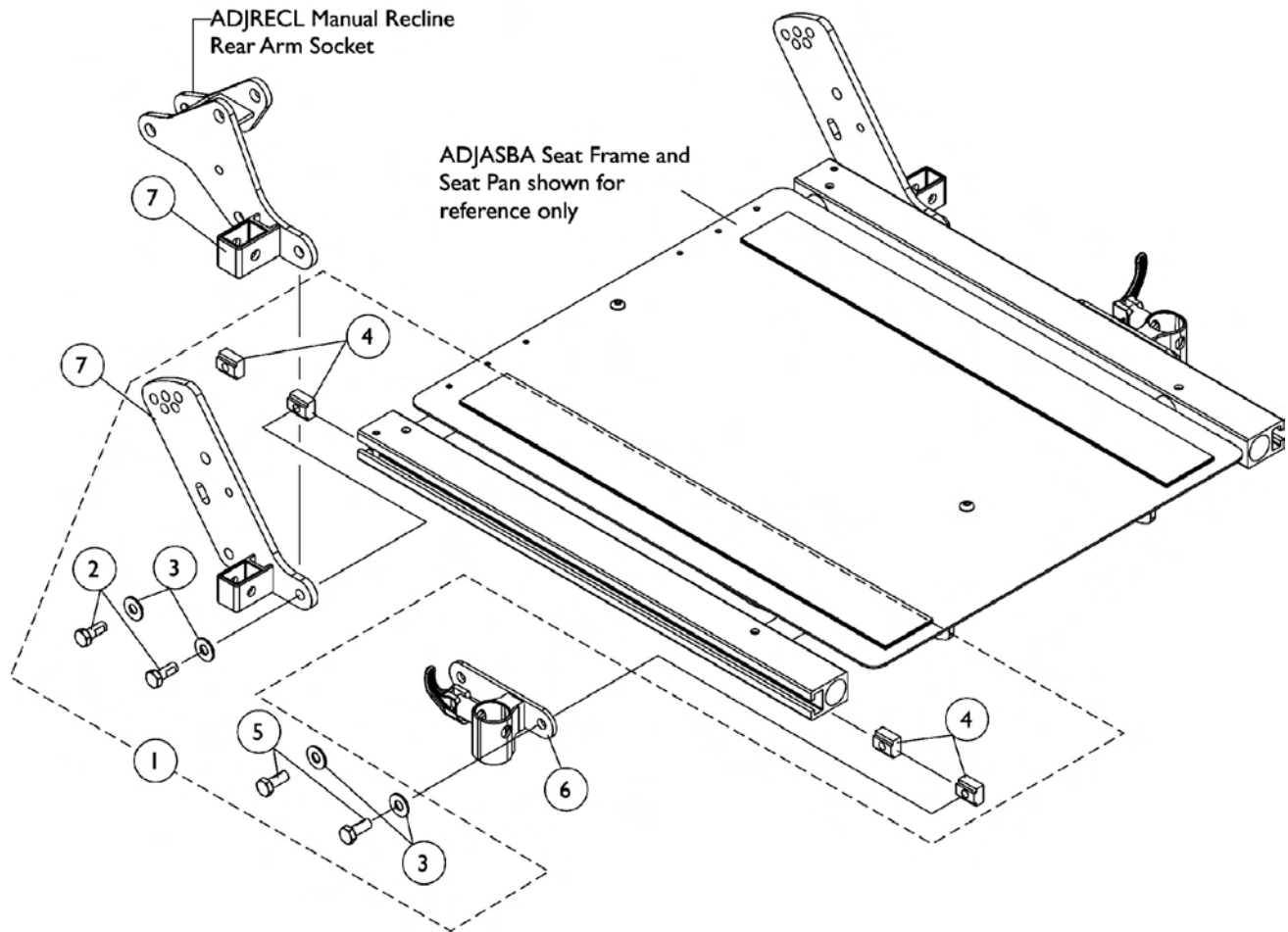
Front/Rear Arm Socket Assembly and Hardware ADJASBA Seat (12"-16" Wide) (After 7/4/05)

Item Number	Note	Part Number	Description	Quantity Per	
				Package	Assembly
1	A	1135502	Kit, Front/Rear Arm Socket Assembly Mounting Hardware	1	1
2			Screw, Hex Head (5/16-18 x 5/8")	1	4
3			Washer, Flat (5/16 x 5/8 x 1/16")	1	4
4			T-Nut (5/16-18)	1	4
5		1122619	Socket, Front Arm - Right	1	1
5		1122620	Socket, Front Arm - Left	1	1
6		1126142	Socket, Rear Arm	1	1

NOTE: A - Includes items 2-4

Front/Rear Arm Socket Assembly and Hardware

ADJASBA/ADJRECL Seats (16"-24" Wide) (After 7/4/05)



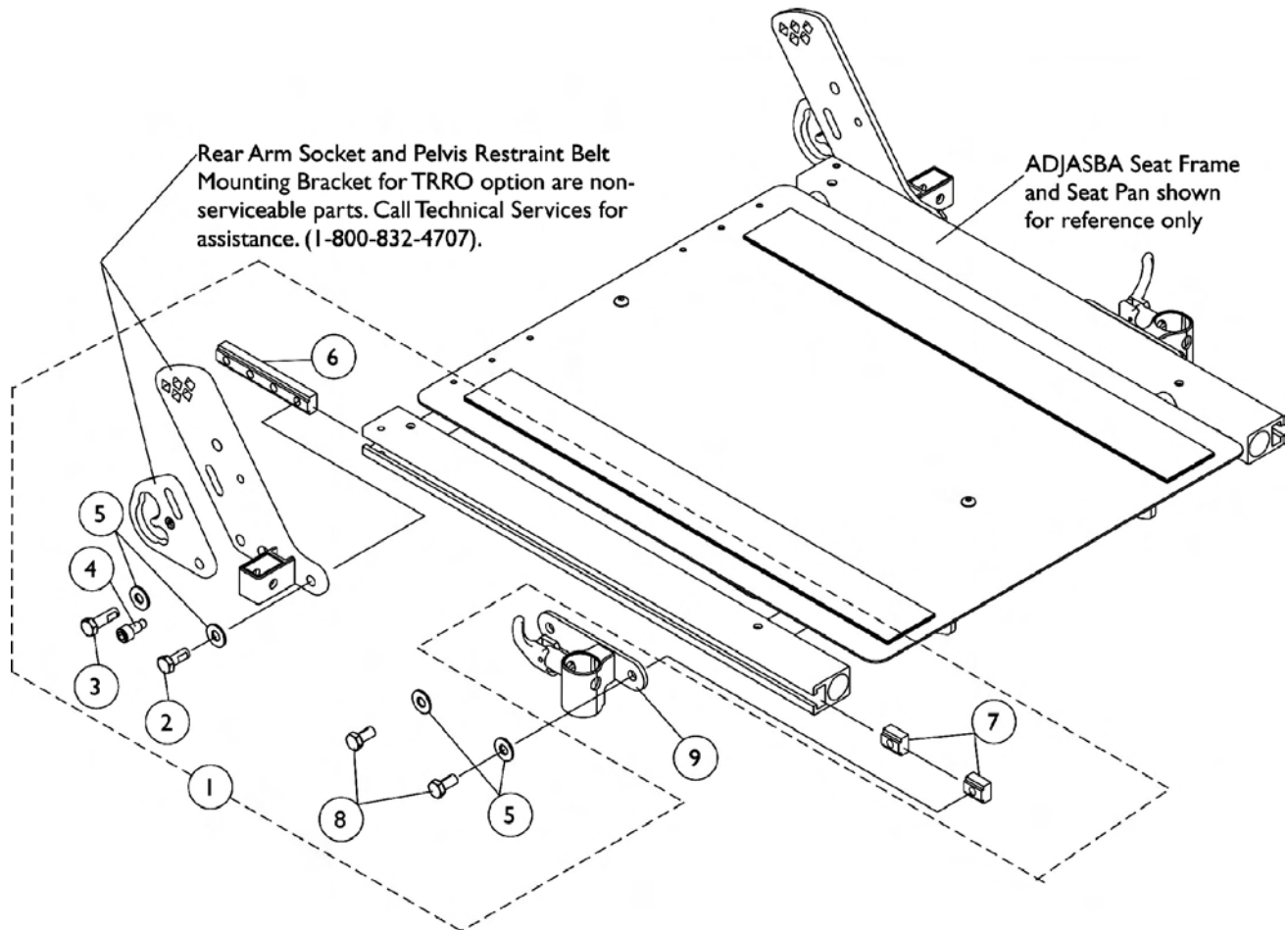
Front/Rear Arm Socket Assembly and Hardware ADJASBA/ADJRECL Seats (16"-24" Wide) (After 7/4/05)

Item Number	Note	Part Number	Description	Quantity Per	
				Package	Assembly
1	A	1125734	Kit, Front/Rear Arm Socket Assembly Mounting Hardware	1	1
2			Screw, Hex Head Cap with Patch (5/16-18 x 3/4")	1	2
3			Washer (5/16 x 3/4 x 1/16")	1	4
4			T-Nut (5/16-18)	1	4
5			Screw, Hex Head (5/16-18 x 5/8")	1	2
6		1122619	Socket, Front Arm - Right	1	1
6		1122620	Socket, Front Arm - Left	1	1
7		1125478	Socket, Rear Arm - Right	1	1
7		1125479	Socket, Rear Arm - Left	1	1
7		1134481	Socket, ADJRECL Rear Arm - Right	1	1
7		1134482	Socket, ADJRECL Rear Arm - Left	1	1

NOTE: A - Includes items 2-5

Front/Rear Arm Socket Assembly and Hardware

ADJASBA Seats with TRRO Option (16"-24" Wide)



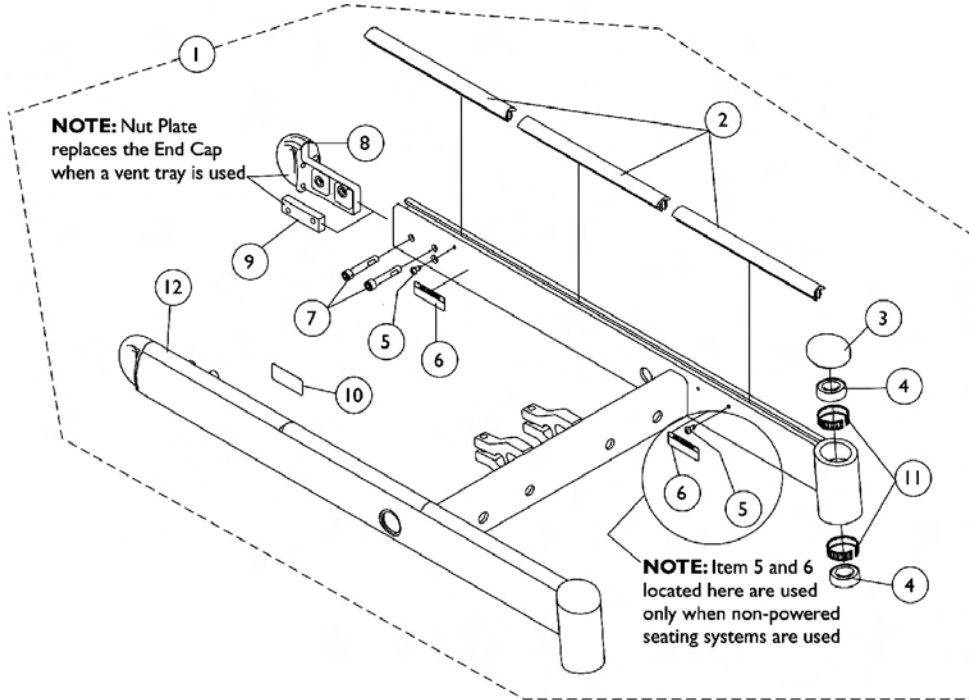
Front/Rear Arm Socket Assembly and Hardware ADJASBA Seats with TRRO Option (16"-24" Wide)

Item Number	Note	Part Number	Description	Quantity Per	
				Package	Assembly
1		1136025	Kit, Front/Rear Arm Socket Assembly Mounting Hardware For TRRO Option	1	1
2			Screw, Hex Head Cap with Patch (5/16-18 x 3/4")	1	1
3			Screw, Hex Head Cap with Patch (5/16-18 x 1")	1	1
4			Screw, Socket Head Cap (5/16-18 x 3/4")	1	1
5			Washer (5/16 x 3/4 x 1/16")	1	4
6			T-Nut (5/16-18)	1	1
7			T-Nut (5/16-18)	1	2
8			Screw, Hex Head (5/16-18 x 5/8")	1	2
9		1122619	Socket, Front Arm - Right	1	1
9		1122620	Socket, Front Arm - Left	1	1

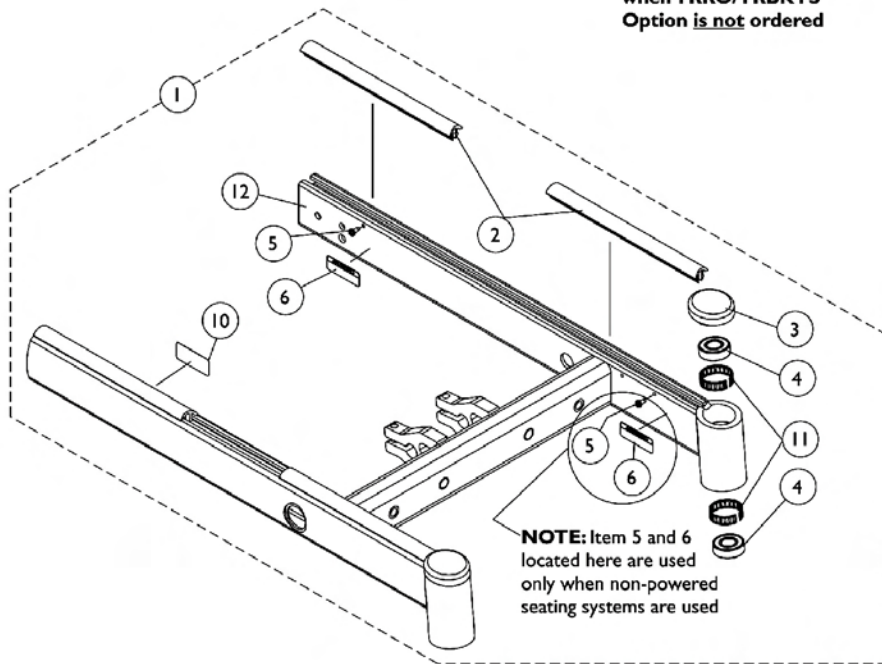
Base Frame Assembly

NOTE: "Base Frames are not available as a service part."

Wheelchair must be returned to Invacare when Base Frame needs replacement. Contact Invacare Customer Service for more information.



Base Frame Assembly when TRRO/TRBKTS Option is not ordered



Base Frame Assembly when TRRO/TRBKTS Option is ordered

Base Frame Assembly

NOTE: "Base Frames are not available as a service part."

Wheelchair must be returned to Invacare when Base Frame needs replacement. Contact Invacare Customer Service for more information.

Item Number	Note	Part Number	Description	Quantity Per	
				Package	Assembly
2	A	1104863	Cover Package, Frame Rail (Right/Left)	1	1
3		1101737	Cap	1	2
4		40117X006	Bearing (5/8")	1	4
5		1025729	Screw, Self Tapping Pan Head (#8-32 x 3/8")	1	1
6		1070497	Label, Caution	1	1
7		1104845	Screw, Socket Head Cap with Patch (5/16-18 x 1-3/4")	1	4
8		1101719	Cap, Tube End - Right	1	1
8		1101720	Cap, Tube End - Left	1	1
9		1104762	Plate, Nut	1	2
10		1053056	Decal, Warning	1	1
11		1110717	Ring, Tolerance	1	4

NOTE: A - Frame Rail Cover Package includes (3) Right and (3) Left Rail Covers. Short bases use only 2 per side.

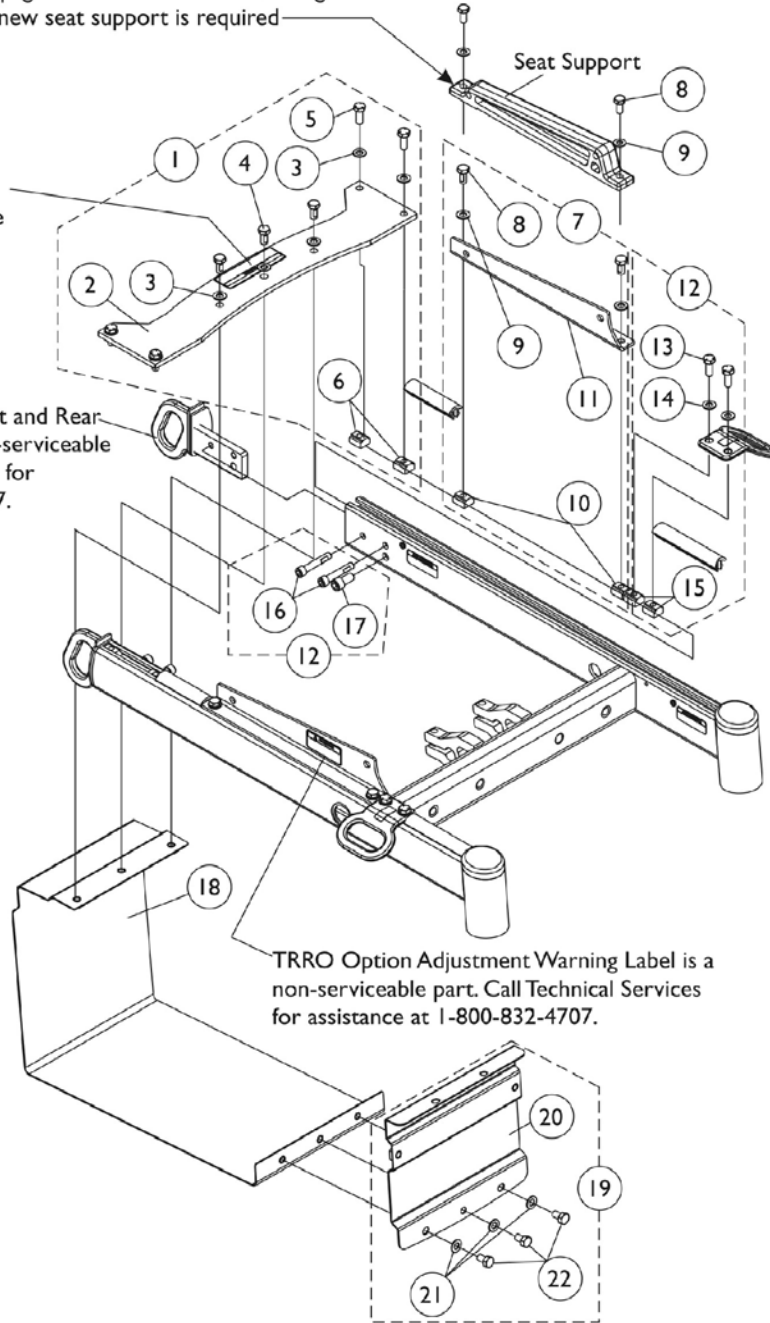
Base Frame Interface Hardware For ADJASBA Seat with TRRO/TRBKTS Option

NOTE: The Seat Support shown replaces item #11 Seat Support Bracket for TRBKTS applications. See page titled "Seat Frame Mounting Hardware" page for TRBKTS when a new seat support is required

TRRO option WC/19 Compliance Warning Label is a non-serviceable part. Call Technical Services for assistance at 1-800-832-4707.

TRRO/TRBKTS option Front and Rear Tie-Down Brackets are non-serviceable parts. Call Technical Services for assistance at 1-800-832-4707.

TRRO Option Adjustment Warning Label is a non-serviceable part. Call Technical Services for assistance at 1-800-832-4707.



Base Frame Interface Hardware For ADJASBA Seat with TRRO/TRBKTS Option

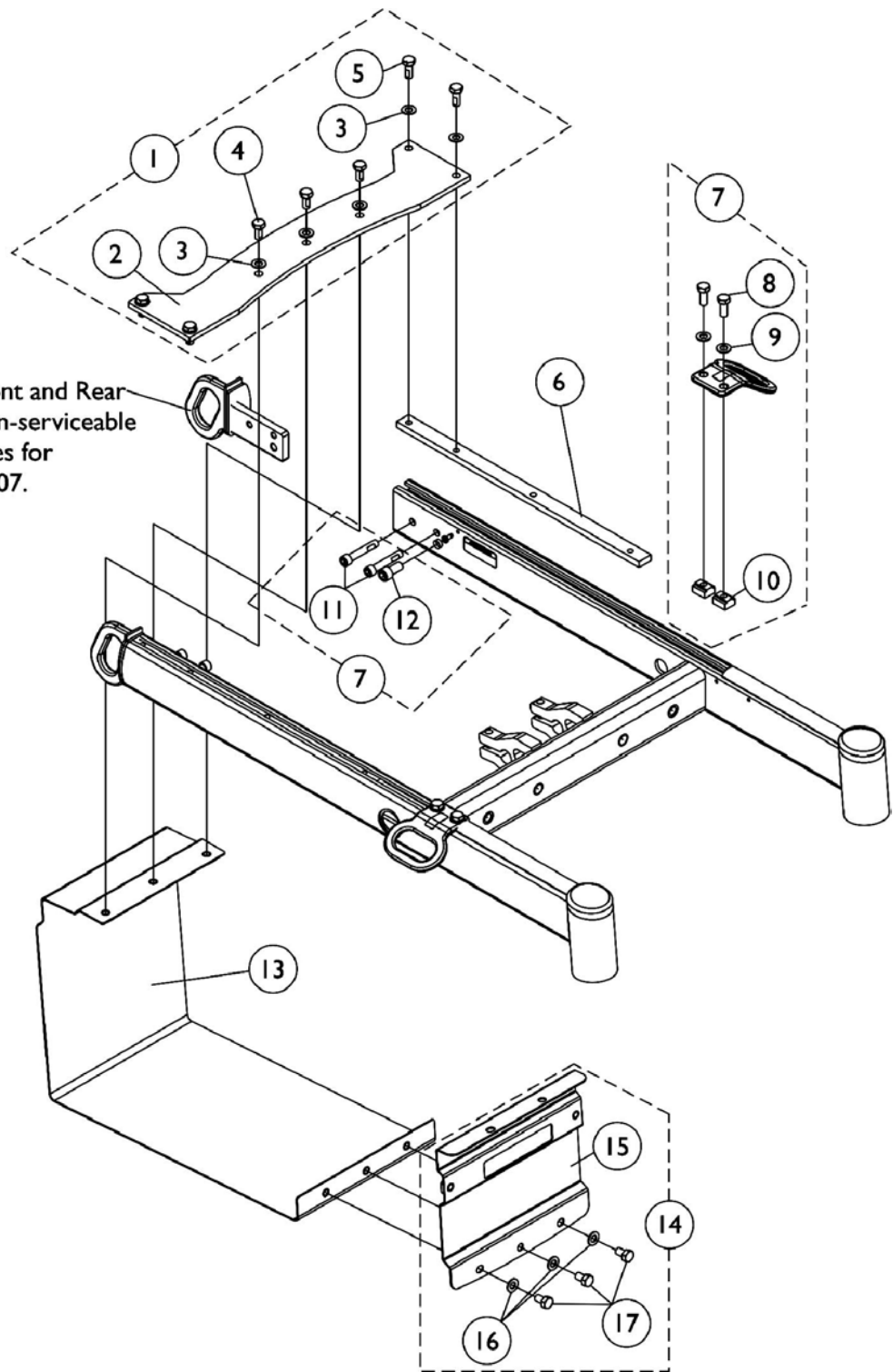
Item Number	Note	Part Number	Description	Quantity Per	
				Package	Assembly
1	A	1140263	Kit, Top Battery Support Bracket and Mounting Hardware	1	1
2			Bracket, Top Battery Support	1	1
3			Washer, Flat (5/16 x 5/8 x 1/16")	1	7
4			Screw, Hex Head (5/16-18 x 5/8")	1	3
5			Screw, Hex Head Cap with Patch (5/16-18 x 3/4")	1	4
6			T-Nut (5/16-18)	1	4
7	B	1140257	Kit, Seat Support Bracket w/ Mounting Hardware - Right	1	1
8			Screw, Hex Head (5/16-18 x 5/8")	1	2
9			Washer, Flat (5/16 x 5/8 x 1/16")	1	2
10			T-Nut (5/16-18)	1	2
11			Bracket, Seat Support - Right	1	1
7	B	1140258	Kit, Seat Support Bracket w/ Mounting Hardware - Left	1	1
8			Screw, Hex Head (5/16-18 x 5/8")	1	2
9			Washer, Flat (5/16 x 5/8 x 1/16")	1	2
10			T-Nut (5/16-18)	1	2
11			Bracket, Seat Support - Left	1	1
12	C	1140259	Kit, Front/Rear Tie-Down Brackets Mounting Hardware	2	1
13			Screw, Hex Head (5/16-18 x 3/4")	1	4
14			Washer, Flat (5/16 x 5/8 x 1/16")	1	4
15			T-Nut (5/16-18)	1	4
16			Screw, Socket Head Cap with Patch (5/16-18 x 1-3/4")	1	4
17			Screw, Socket Head Cap (3/8-16 x 3/4")	1	2
18		1135963	Bracket, Battery Support, Black	1	1
19	D	1140260	Kit, Front Battery Support Bracket with Mounting Hardware	1	1
20			Bracket, Battery Support, Front, Black	1	1
21			Washer, Flat (5/16 x 5/8 x 1/16")	1	3
22			Screw, Hex Head Cap w/ Patch (5/16-18 x 1/2")	1	3

NOTE: A - Includes items 2-6. This kit used when TRBKTS option is ordered. TRRO option uses the same retainer bracket with the addition of the WC/19 Compliance Warning Label attached
B - Includes items 8-11
C - Includes items 13-17
D - Includes items 20-22

Base Frame Interface Hardware

Formula CG Powered Seating w/ TRBKTS Option

TRRO/TRBKTS option Front and Rear Tie-Down Brackets are non-serviceable parts. Call Technical Services for assistance at 1-800-832-4707.

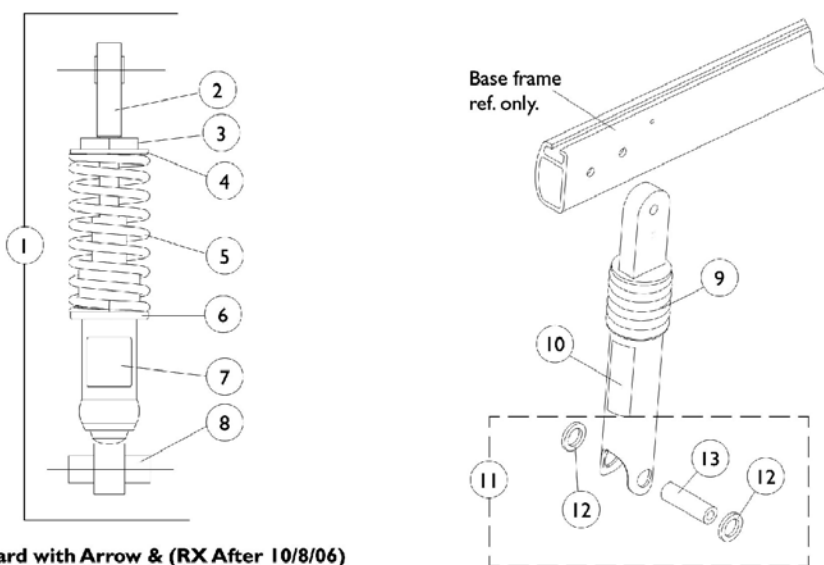


Base Frame Interface Hardware

Formula CG Powered Seating w/ TRBKTS Option

Item Number	Note	Part Number	Description	Quantity Per	
				Package	Assembly
1	D,A	1140263	Kit, Top Battery Support Bracket and Mounting Hardware	1	1
2			Bracket, Top Battery Support	1	1
3			Washer, Flat (5/16 x 5/8 x 1/16")	1	7
4			Screw, Hex Head (5/16-18 x 5/8")	1	3
5			Screw, Hex Head Cap with Patch (5/16-18 x 3/4")	1	4
			T-Nut (5/16-18)	1	4
6		1144766	Bar, Clamping	1	2
7	B	1140259	Kit, Front/Rear Tie-Down Brackets Mounting Hardware	2	1
8			Screw, Hex Head (5/16-18 x 3/4")	1	4
9			Washer, Flat (5/16 x 5/8 x 1/16")	1	4
10			T-Nut (5/16-18)	1	4
11			Screw, Socket Head Cap with Patch (5/16-18 x 1-3/4")	1	4
12			Screw, Socket Head Cap (3/8-16 x 3/4")	1	2
13		1135963	Bracket, Battery Support, Black	1	1
14	C	1140260	Kit, Front Battery Support Bracket with Mounting Hardware	1	1
15			Bracket, Battery Support, Front, Black	1	1
16			Washer, Flat (5/16 x 5/8 x 1/16")	1	3
17			Screw, Hex Head Cap w/ Patch (5/16-18 x 1/2")	1	3
<p>NOTE: A - Includes items 2-5. This kit is used for TRBKTS option for ADJASBA Non-Powered Seating and Formula CG Powered Seating Systems. Disregard the T-nuts contained in the kit when using for the Formula CG Systems.</p> <p>B - Includes items 8-12</p> <p>C - Includes items 15-17</p> <p>D - T-Nut not shown for a Formula CG System application.</p>					

Shock Absorbers



Standard with Arrow & (RX After 10/8/06)
and
Optional with
Torque SP, Torque SE, Torque 3
And (RX Before 10/9/06)

Standard with
Torque SP, Torque SE, Torque 3
And (RX Before 10/9/06)

Item Number	Note	Part Number	Description	Quantity Per	
				Package	Assembly
1	A,C	1104420	Shock Assembly, Non-Heavy Duty	1	1
1	A,D	1104421	Shock Assembly, Heavy Duty	1	1
2		1041431	Shock Eyelet Assembly	1	1
3		1054481	Retainer, Shock, Spring (Upper)	1	1
4		1104415	Retainer, Shock Spring (Upper)	1	1
5		1104413	Spring, Yellow Non-Heavy Duty	1	1
5		1104414	Spring, Yellow Heavy Duty	1	1
6		1104416	Retainer, Shock Spring (Lower)	1	1
7		1104800	Decal, SD 300 Non-Heavy Duty	1	1
7		1104801	Decal, HD 400 Heavy Duty	1	1
8		1039659	Shock Absorber	1	1
9		1104817	Shock Assembly, Rubber Element	1	1
10		1104812	Decal, SD 300 Large	1	1
11	B	1104827	Rubber Element Shock Hardware	2	1
12		1104445	Washer, Nylon (5/8 x 1 x 1/8")	1	4
13		1104847	Spacer (5/16 x 5/8 x 2")	1	2

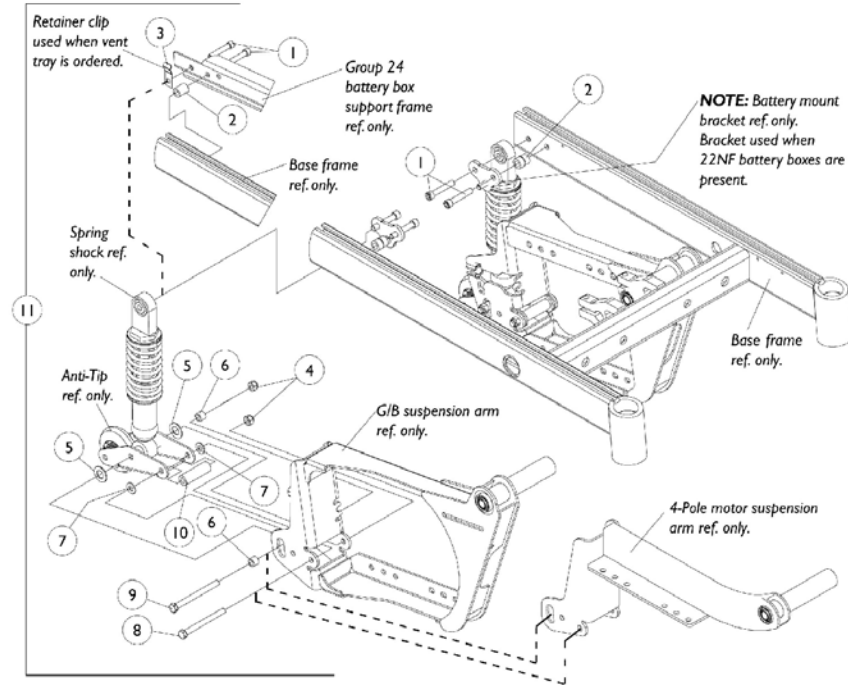
NOTE: A - Includes items 2-8
B - Includes items 12-13 (Pair)
C - (300 Lb. Limit For Arrow), (300 Lb. Limit For RX and Torque SP Before 10/9/06) (300 Lb. Limit For Torque SE & Torque 3)
D - (400 Lb. Limit For Arrow), (400 Lb. Limit For RX After 10/8/06) and (300 Lb. Limit For Torque SP After 10/8/06)

NOTE: See shock suspension mounting hardware page to find shock absorber attaching hardware.

Shock Suspension Mounting Hardware

All Shock Absorbers

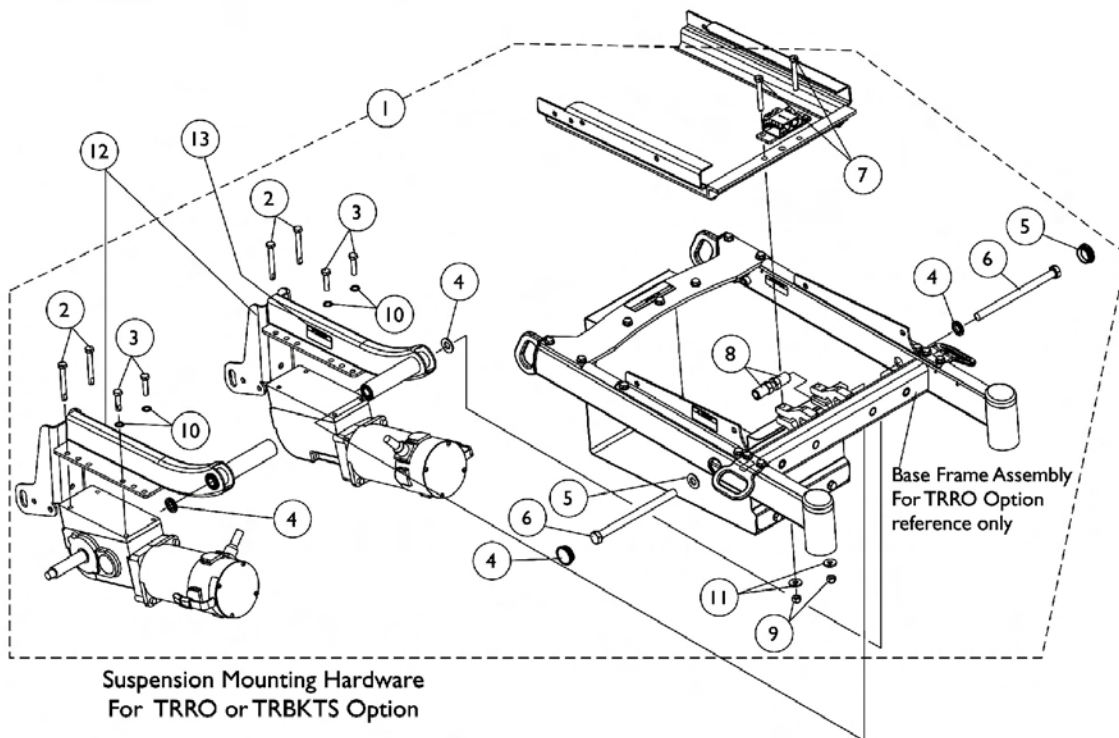
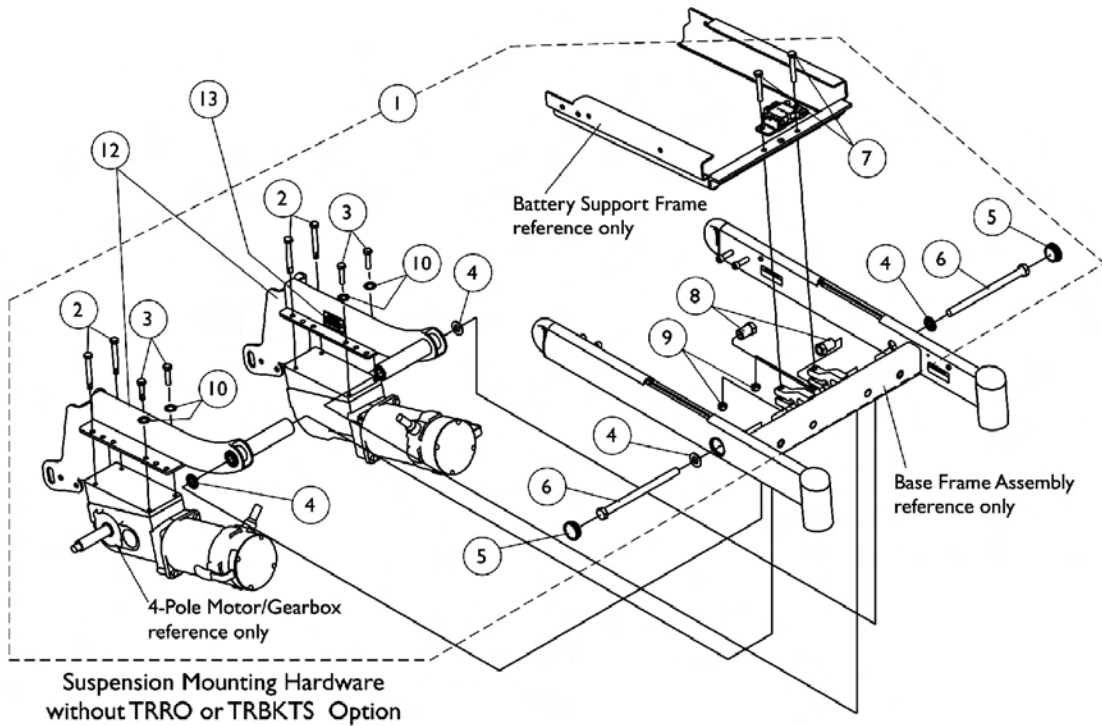
NOTE: Gearless/Brushless and 4-pole motor suspension arms use the same shock suspension mounting hardware.



Item Number	Note	Part Number	Description	Quantity Per	
				Package	Assembly
1		1104845	Screw, Socket Head Cap with Patch (5/16-18 x 1-3/4")	1	4
2	C	1104881	Spacer (3/8 x 5/8 x 3/4")	1	2
2	D	1039649	Spacer (3/8 x 5/8 x 25/32")	1	2
3		1049550	Retainer Clip	1	2
4		1026158	Locknut (5/16-18)	1	4
5		1031673	Washer, Nylon (35/64 x 1 x 1/16")	1	4
6		1104856	Spacer (5/16 x 1/2 x 3/8")	1	4
7		1026032	Washer, Nylon (11/32 x 11/16 x 1/16")	1	4
8		1070397	Screw, Hex Head (5/16-18 x 3-1/4")	1	2
9		1105474	Screw, Hex Head (5/16-18 x 3-1/2)	1	2
10		1104847	Spacer (5/16 x 5/8 x 2")	1	2
11	A,C	1104868	Hardware, Shock Mounting	2	1
11	B,D	1105546	Hardware, Shock Mounting	2	1

NOTE: A - Includes items 1, 2 and 4-10 (Pair)
 B - Includes items 1-10 (Pair)
 C - For 22NF batteries and (Group 24 batteries without a vent tray)
 D - Group 24 batteries with a vent tray that is ordered with a Tarsys 2G Powered Seating System. Does not apply to Formula CG Powered Seating System

Suspension Arm and Mounting Hardware 4-Pole Motors



Suspension Arm and Mounting Hardware 4-Pole Motors

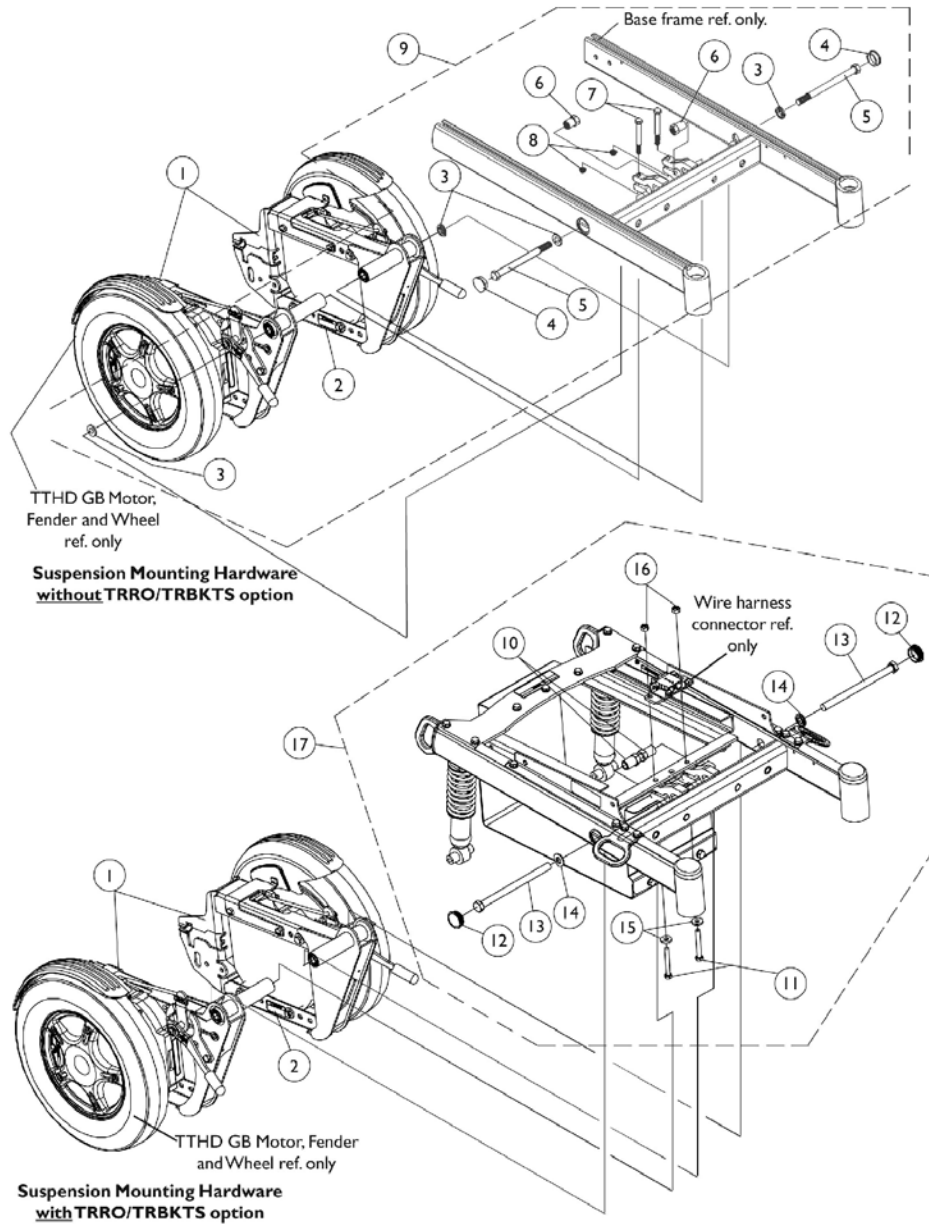
Item Number	Note	Part Number	Description	Quantity Per	
				Package	Assembly
1	A	1104828	Kit, Suspension Arm Mounting Hardware	2	1
2			Screw, Hex Head (5/16-18 x 2-1/2")	1	4
3			Screw, Hex Head Cap with Patch (5/16-18 x 1-1/4")	1	4
4			Washer (1/2" I.D. x 7/8" O.D.)	1	4
5			Cap, Caster Headtube	1	2
6			Screw, Hex Head (1/2-20 x 7")	1	2
7			Screw, Hex Head (5/16-18 x 2")	1	2
8			Nut, Shoulder (1/2-20)	1	2
9			Locknut (5/16-18)	1	2
10			Washer, Internal Tooth (M8)	1	4
1	B	1139435	Kit, Suspension Arm Mounting Hardware For TRRO/TRBKTS Option	2	1
2			Screw, Hex Head (5/16-18 x 2-1/2")	1	4
3			Screw, Hex Head Cap with Patch (5/16-18 x 1-1/4")	1	4
4			Washer (1/2" I.D. x 7/8" O.D.)	1	4
5			Cap, Caster Headtube	1	2
6			Screw, Hex Head (1/2-20 x 7")	1	2
7			Screw, Hex Head (5/16-18 x 2-1/4")	1	2
8			Nut, Shoulder (1/2-20)	1	2
9			Locknut (5/16-18)	1	2
10			Washer, Internal Tooth (M8)	1	4
11			Washer (11/32 x 13/16 x 1/8")	1	2
12		1104887	Suspension Arm w/ Warning Decal, Right	1	1
12		1104888	Suspension Arm w/ Warning Decal, Left	1	1
13		1053056	Decal, Warning	1	2
8	C	1142012	Nut, Hex Head Cap Shoulder (1/2-20)	1	2

NOTE: A - Includes items 2-10
B - Includes items 2-11 and used for TRRO/TRBKTS options
C - Hex Head Cap Shoulder Nut part number 1142012 is used only when a Formula CG Elevate is ordered

Suspension Arm and Mounting Hardware

Gearless/ Brushless

NOTE: TrueTrack Heavy Duty (TTHD) Gearless/Brushless motors were introduced ON-chair to Storm Arrow models 2/6/03.



Suspension Arm and Mounting Hardware Gearless/ Brushless

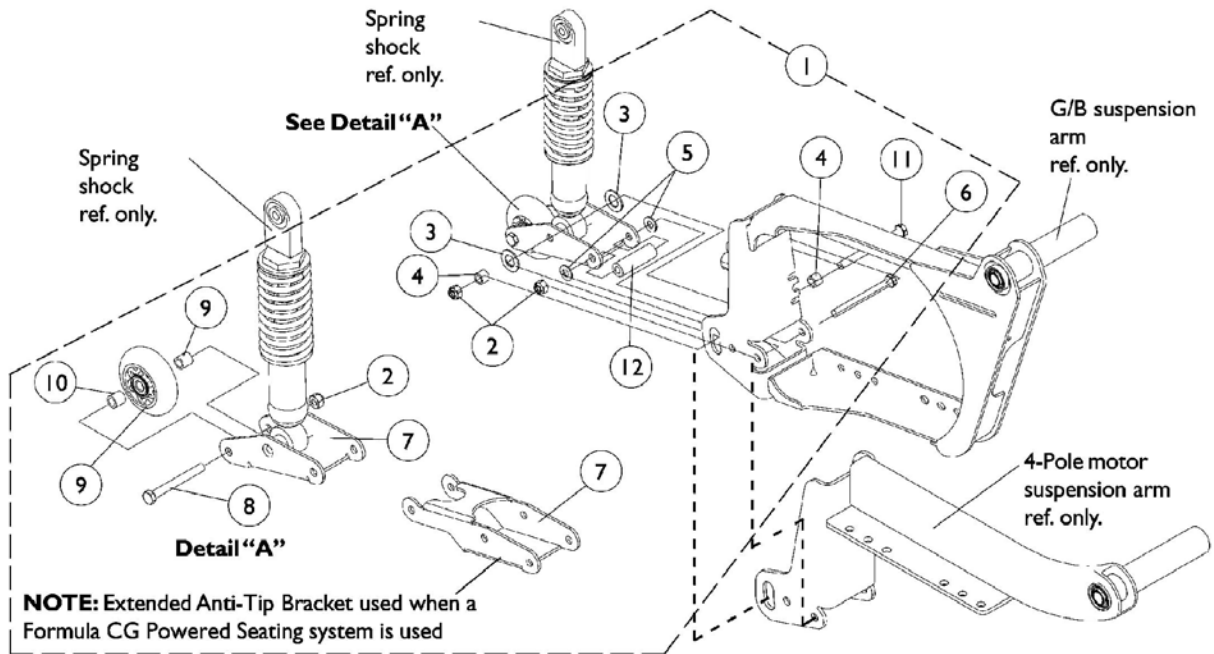
NOTE: TrueTrack Heavy Duty (TTHD) Gearless/Brushless motors were introduced ON-chair to Storm Arrow models 2/6/03.

Item Number	Note	Part Number	Description	Quantity Per	
				Package	Assembly
1		1115486	Suspension Arm with Warning Decal, Right	1	1
1		1115487	Suspension Arm with Warning Decal, Left	1	1
2		1053056	Decal, Warning	1	1
9	A	1078243	Kit, Suspension Arm Mounting Hardware	2	1
3			Washer (1/2" I.D. x 7/8" O.D.)	1	4
4			Cap, Caster Headtube	1	2
5			Screw, Hex Head (1/2-20 x 7")	1	2
6			Nut, Shoulder (1/2-20)	1	2
7			Screw, Hex Head (5/16-18 x 2")	1	2
8			Locknut (5/16-18)	1	2
17	B	1135971	Kit, Suspension Mounting Hardware For TRRO/TRBKTS Option	2	1
10			Nut, Shoulder (1/2-20)	1	2
11			Screw, Hex Head (5/16-18 x 2-1/4")	1	2
12			Cap, Caster Headtube	1	2
13			Screw, Hex Head (1/2-20 x 7")	1	2
14			Washer (1/2" I.D. x 7/8" O.D.)	1	2
15			Washer (11/32 x 13/16 x 1/8")	1	2
16			Locknut (5/16-18)	1	2

NOTE: A - Includes items 3-8
B - Includes items 10-16

3" Anti-Tip Wheel Assembly

All Models



3" Anti-Tip Wheel Assembly All Models

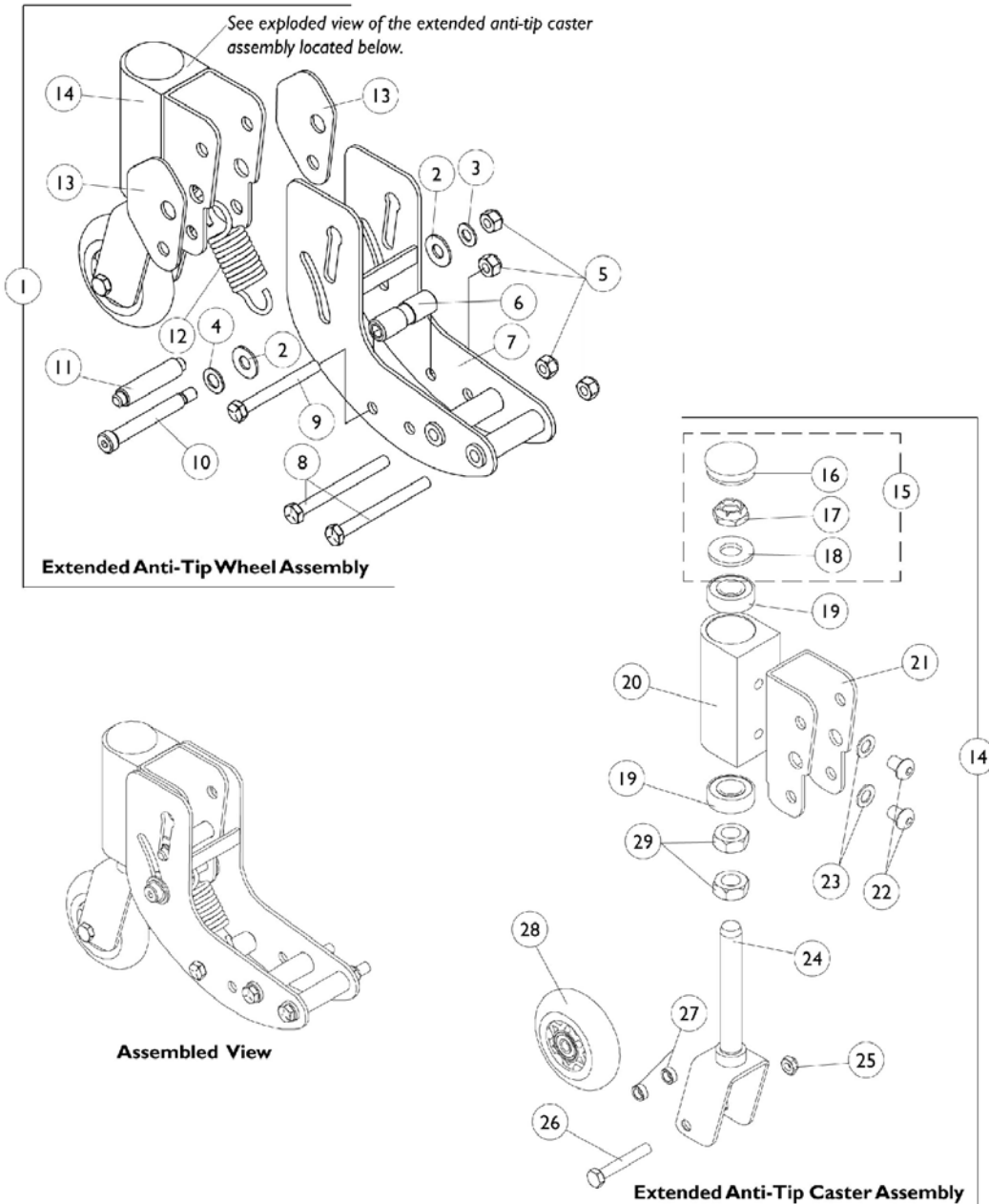
Item Number	Note	Part Number	Description	Quantity Per	
				Package	Assembly
1	A	1104811	Anti-Tip Wheel Assembly (Pair)	2	1
2			Locknut (5/16-18)	1	6
3			Washer, Nylon (35/64 x 1 x 1/16")	1	4
4			Spacer (5/16 x 1/2 x 3/8")	1	4
5			Washer, Nylon (11/32 x 11/16 x 1/16")	1	4
6			Screw, Hex Head (5/16-18 x 3-1/4")	1	2
7			Bracket, Anti-Tipper, Black	1	2
8			Screw, Hex Head (5/16-18 x 2-3/4")	1	2
9			Wheel, 3"	1	2
10			Spacer (5/16 x 9/16 x 1/2")	1	4
11			Screw, Hex Head (5/16-18 x 3-1/2)	1	2
12			Spacer (5/16 x 5/8 x 2")	1	2
1	A	1143792	Kit, Anti-Tip Wheel Assembly (Pair) (For Formula CG Powered Seating Only)	2	1
2			Locknut (5/16-18)	1	6
3			Washer, Nylon (35/64 x 1 x 1/16")	1	4
4			Spacer (5/16 x 1/2 x 3/8")	1	4
5			Washer, Nylon (11/32 x 11/16 x 1/16")	1	4
6			Screw, Hex Head (5/16-18 x 3-1/4")	1	2
7			Bracket, Anti-Tipper Extension, Black	1	2
8			Screw, Hex Head (5/16-18 x 2-3/4")	1	2
9			Wheel, 3"	1	2
10			Spacer (5/16 x 9/16 x 1/2")	1	4
11			Screw, Hex Head (5/16-18 x 3-1/2)	1	2
12			Spacer (5/16 x 5/8 x 2")	1	2
9		1101757	Wheel, 3"	1	2

NOTE: A - Includes items 2-12 (Pair)

Extended Anti-Tip Wheel Assembly

NOTE: Extended anti-tip wheels are standard on all 2nd Generation Powered Seating Systems ordered with a vent tray and optional for all other configurations. Extended Anti-Tippers are optional for all Formula CG Powered Seating including when a vent tray is ordered. Field retrofitable to spring shock suspension systems only.

NOTE: Extended anti-tip wheel assembly components made for 3G storm bases ordered with vent trays and Gearless/Brushless motors between 3/01/01 - 04/14/02 are NLA, see item 1 for an extended anti-tip wheel assembly kit.



Extended Anti-Tip Wheel Assembly

NOTE: Extended anti-tip wheels are standard on all 2nd Generation Powered Seating Systems ordered with a vent tray and optional for all other configurations. Extended Anti-Tippers are optional for all Formula CG Powered Seating including when a vent tray is ordered. Field retrofitable to spring shock suspension systems only.

NOTE: Extended anti-tip wheel assembly components made for 3G storm bases ordered with vent trays and Gearless/Brushless motors between 3/01/01 - 04/14/02 are NLA, see item 1 for an extended anti-tip wheel assembly kit.

Item Number	Note	Part Number	Description	Quantity Per	
				Package	Assembly
1	A	1110930	Extended Anti-Tip Assembly Kit w/ Instruction Sheet (Pair)	2	1
2		1012371	Washer, Nylon (3/8 x 7/8 x 1/16")	1	2
3		1025704	Washer, Flat (5/16 x 5/8 x 1/16")	1	1
4		1065214	Washer, Flat (3/8 x 11/16 x 1/16")	1	1
5		1026158	Locknut (5/16-18)	1	4
6		1109184	Spacer, Grooved (5/16 x 5/8 x 2")	1	1
7		1108575	Bracket, 3G Anti-Tip, Black	1	1
8		1070397	Screw, Hex Head (5/16-18 x 3-1/4")	1	2
9		1042486	Screw, Hex Head (5/16-18 x 2-3/4")	1	1
10		1070411	Bolt, Shoulder (3/8 x 2-1/2")	1	1
11		1111713	Pin, Idle	1	1
12		1108574	Spring, Extension	1	1
13		1111866	Spacer, Anti-Tip	1	2
14	B	1108578	Extended Anti-Tip Caster Assembly	1	1
15		1057949	Fork Stem Hardware	1	1
16		1056739	Cap, Head Tube	1	1
17		1028550	Locknut (5/8-18)	1	1
18		1041444	Washer (5/8 x 1-5/16 x 1/8")	1	1
19		40117X006	Bearing (5/8")	1	2
20		1108583	Headtube, Anti-tip	1	1
21		1109185	Bracket, Headtube Mounting	1	1
22		1104748	Screw, Socket Button Head (3/8-16 x 1/2")	1	2
23		1065214	Washer, Flat (3/8 x 11/16 x 1/16")	1	2
24		1109186	Fork, 3" Caster	1	1
25		1025730	Locknut (5/16-24)	1	1
26		1031891	Screw, Hex Head (5/16-24 x 2")	1	1
27		47183X047	Spacer (5/16 x 1/2 x 3/16")	1	2
28		1101757	Wheel, 3"	1	1
29		1109558	Nut, Hex Jam (5/8-18)	1	2
	C	1110515	Instruction Sheet, Extended Anti-Tip Assembly Kit	1	1

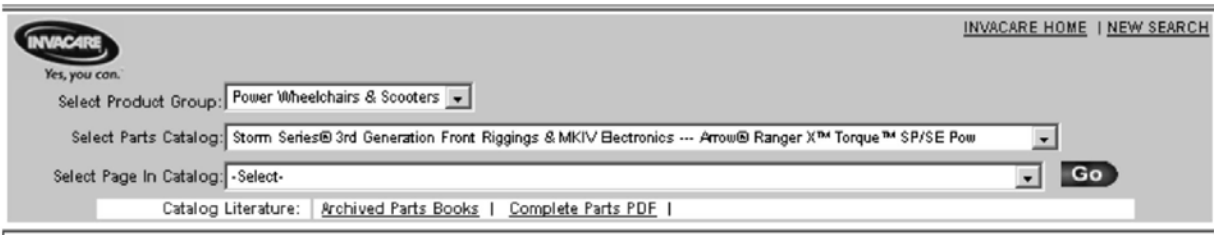
NOTE: A - Includes items 2-14
 B - Includes items 16-29 (Per Side)
 C - Not Shown

Front Rigging

If you are looking for **Front Riggings** in the Storm Series® Arrow®, Ranger X™ and Torque™ SP/SE/3 3rd Generation Parts Catalog,
The parts catalog information is now divided into three separate catalogs.

Web Page

The Front Rigging information can be found on the Invacare web page by selecting “Storm Series® 3rd Generation Front Riggings & MKIV Electronics” in the “Select Parts Catalog” drop down



The screenshot shows the Invacare website search interface. At the top left is the Invacare logo with the tagline "Yes, you can." At the top right are links for "INVACARE HOME" and "NEW SEARCH". Below the logo is a search form with three dropdown menus: "Select Product Group:" (set to "Power Wheelchairs & Scooters"), "Select Parts Catalog:" (set to "Storm Series® 3rd Generation Front Riggings & MKIV Electronics --- Arrow® Ranger X™ Torque™ SP/SE Pow"), and "Select Page In Catalog:" (set to "-Select-"). A "Go" button is to the right of the third dropdown. Below the search form is a "Catalog Literature:" section with links for "Archived Parts Books" and "Complete Parts PDF".

Printed Catalog

The Front Riggings information can be found in printed copy at our Literature Fulfillment Center listed under form # 06-100 and titled “Storm Series® 3rd Generation Front Riggings & MKIV Electronics”.

Motor/Gearbox Assembly Reference Chart

MKIV Electronics (4-Pole Before 10/9/06) & (GB Before 5/22/07)

4-Pole Motor and Gearbox Assemblies

Model and Side	Before 2/6/03	2/6/03-1/25/04 and (2/6/03-3/14/04 For VA Gov't Orders)	1/26/04-10/8/06 and (3/15/04-10/8/06 For VA Gov't Orders)
Storm Arrow (HD) (4-Pole Motor/Gearbox)	Optional	Optional	N/A
-Right	1104825 <small>See Note(s) E, A</small>	1104825 <small>See Note(s) E, A</small>	N/A
-Left	1104826 <small>See Note(s) E, A</small>	1104826 <small>See Note(s) E, A</small>	N/A
Storm RX (4-Pole Motor/Gearbox)	Standard	Standard	Standard
-Right	1104823 <small>See Note(s) E, C</small>	1104823 <small>See Note(s) E, C</small>	1104823 <small>See Note(s) E, C</small>
-Left	1104824 <small>See Note(s) E, C</small>	1104824 <small>See Note(s) E, C</small>	1104824 <small>See Note(s) E, C</small>
"ALL" Torque SP's without (PERF) (4-Pole Motor/Gearbox)	Standard	Standard	Standard
-Right	1104825 <small>See Note(s) E, C</small>	1104825 <small>See Note(s) E, C</small>	1104825 <small>See Note(s) E, C</small>
-Left	1104826 <small>See Note(s) E, C</small>	1104826 <small>See Note(s) E, C</small>	1104826 <small>See Note(s) E, C</small>
Torque SP with (PERF) (4-Pole Motor/Gearbox)	Optional	Optional	Optional
-Right	1104823 <small>See Note(s) E, B</small>	1104823 <small>See Note(s) E, B</small>	1104823 <small>See Note(s) E, B</small>
-Left	1104824 <small>See Note(s) E, B</small>	1104824 <small>See Note(s) E, B</small>	1104824 <small>See Note(s) E, B</small>
NOTE: A - Used for (301-400HD) weight limits B - Performance package (PERF) offered on a Torque SP provides a 6.5 MPH rating and 300 lb. weight limit C - Used for (U300) weight limit models E - As of May 2008, the Metal Motor End Cap will be replaced with a Composite Motor End Cap. The change does not affect form, fit, function or aesthetics.			

Motor/Gearbox Assembly Reference Chart

MKIV Electronics (4-Pole Before 10/9/06) & (GB Before 5/22/07)

New - GB Non-Heavy Duty & Heavy Duty (HD) TrueTrack Motors

Model Number and Side	Before 2/6/03	2/6/03-1/25/04 and (2/6/03-3/14/04 For VA Gov't Orders)	1/26/04-5/21/07 and (3/15/04-5/21/07 For VA Gov't Orders)
Storm Arrow	TRUTK (Non-Heavy Duty) Standard	TRUTK (Non-Heavy Duty) Standard	TTHD (Heavy Duty) Standard
-Right	1115508	1115508	1153335 See Note(s) C, A1, A
-Right w/ Wheel Lock	N/A	N/A	1153648 See Note(s) B, B1
-Left	1115508	1115508	1153336 See Note(s) D, A, A1
-Left w/ Wheel Lock	N/A	N/A	1153649 See Note(s) B, B1
Storm Arrow	N/A	TTHD (Heavy Duty) Optional	N/A
-Right	N/A	1153335 See Note(s) C, A, A1	N/A
-Right w/ Wheel Lock	N/A	1153648 See Note(s) B, B1	N/A
-Left	N/A	1153336 See Note(s) D, A1, A	N/A
-Left w/ Wheel Lock	N/A	1153649 See Note(s) B, B1	N/A
Storm RX	TRUTK (Non-Heavy Duty) Optional	TRUTK (Non-Heavy Duty) Optional	TRUTK (Heavy Duty) Optional
-Right	1115508	1115508	1153335 See Note(s) C, A, A1
-Right w/ Wheel Lock	N/A	N/A	1153648 See Note(s) B, B1
-Left	1115508	1115508	1153336 See Note(s) D, A, A1
-Left w/ Wheel Lock	N/A	N/A	1153649 See Note(s) B1, B
Torque SP	TRUTK (Non-Heavy Duty) Optional	TRUTK (Non-Heavy Duty) Optional	TRUTK (Heavy Duty) Optional
-Right	1115508	1115508	1153335 See Note(s) C, A, A1
-Right w/ Wheel Lock	N/A	N/A	1153648 See Note(s) B, B1
-Left	1115508	1115508	1153336 See Note(s) D, A, A1
-Left w/ Wheel Lock	N/A	N/A	1153649 See Note(s) B, B1

Motor/Gearbox Assembly Reference Chart

MKIV Electronics (4-Pole Before 10/9/06) & (GB Before 5/22/07)

NOTE: A - Part #'s 1153335/6 and refurbished #'s are Kits including a GB HD Motor, Brake Lever Hardware and (Controller Gasket Connector kit). The brake release mechanism was revised 10/29/07 eliminating the torsion spring, adding a bellville washer and A1 - stop plate to limit travel of the brake lever to prevent permanent damage to the motor. The Controller Gasket Connector was introduced 10/26/07 and attaches to the controller motor cables. Instruction sheets included also.

B - Part #'s 1153648/9 and refurbished #'s are Kits including a GB HD Motor, Brake Lever Hardware, (Controller Gasket Connector kit) and

B1 - a revised Wheel Lock with longer mounting screws. Revised Wheel Lock used for chairs made before 10/29/07 equipped with Wheel Locks. The new Stop Plate and revised Wheel Lock now share the same mounting holes on the Suspension Arm

C - For chairs manufactured before 1/1/06 a RT. Suspension Arm Kit part #1153679 is required in addition to a motor assembly. Refer to the Suspension Arm Kits chart

D - For chairs manufactured before 1/1/06 a LT. Suspension Arm Kit part #1153680 is required in addition to a motor assembly. Refer to the Suspension Arm Kits chart

NOTE: GB motors were not available with the Arrow (301-401HD) user weight selection until 1/26/04 when the TTHD GB motors covered all Arrow user weight limits STANDARD. NOTE: GB motors were not available with the Torque SP (301-351 TQHD) user weight selection until 1/26/04 when the user weight limit was raised to 400 Lbs.

Motor/Gearbox Assembly Reference Chart

MKIV Electronics (4-Pole Before 10/9/06) & (GB Before 5/22/07)

Warranty/Refurbished - GB Non-Heavy Duty & Heavy Duty (HD) TrueTrack Motors

NOTE: Part #'s 1153335E, 1153336E, 1153648E, 1153649E are currently not available. Refer to part #'s 1123235E Right or 1123234E Left as replacements. Additional hardware is not required. Motors include a Controller Gasket Connector Kit and instruction sheets.

Model Number and Side	Before 2/6/03	2/6/03-1/25/04 and (2/6/03-3/14/04 For VA Gov't Orders)	1/26/04-5/21/07 and (3/15/04-5/21/07 For VA Gov't Orders)
Storm Arrow	TRUTK (Non-Heavy Duty) Standard	TRUTK (Non-Heavy Duty) Standard	TTHD (Heavy Duty) Standard
-Right (Refurbished)	N/A	N/A	1123235E
-Right (Refurbished) See Note(s) E	1115509	1115509	1153335E See Note(s) E, A2, A1, A, C
-Right (Refurbished) w/ Wheel Lock	N/A	N/A	1153648E See Note(s) E, B1, B, A2
-Left (Refurbished)	N/A	N/A	1123234E
-Left (Refurbished)	1115509	1115509	1153336E See Note(s) E, A1, A, A2, D
-Left (Refurbished) w/ Wheel Lock	N/A	N/A	1153649E See Note(s) E, B1, A2, B
Storm Arrow	N/A	TTHD (Heavy Duty) Optional	N/A
-Right (Refurbished)	N/A	1123235E	N/A
-Right (Refurbished)	N/A	1153335E See Note(s) E, C, A2, A1, A	N/A
-Right (Refurbished) w/ Wheel Lock	N/A	1153648E See Note(s) E, A2, B, B1	N/A
-Left (Refurbished)	N/A	1123234E	N/A
-Left (Refurbished)	N/A	1153336E See Note(s) E, D, A2, A, A1	N/A
-Left (Refurbished) w/ Wheel Lock	N/A	1153649E See Note(s) E, A2, B1, B	N/A
Storm RX	TRUTK (Non-Heavy Duty) Optional	TRUTK (Non-Heavy Duty) Optional	TRUTK (Heavy Duty) Optional
-Right (Refurbished)	N/A	N/A	1123235E
-Right (Refurbished)	1115509	1115509	1153335E See Note(s) E, A2, A, A1, C
-Right (Refurbished) w/ Wheel Lock	N/A	N/A	1153648E See Note(s) E, A2, B, B1
-Left (Refurbished)	N/A	N/A	1123234E
-Left (Refurbished)	1115509	1115509	1153336E See Note(s) E, A, A2, A1, D
-Left (Refurbished) w/ Wheel Lock	N/A	N/A	1153649E See Note(s) E, A2, B1, B
Torque SP	TRUTK (Non-Heavy Duty) Optional	TRUTK (Non-Heavy Duty) Optional	TRUTK (Heavy Duty) Optional
-Right (Refurbished)	N/A	N/A	1123235E
-Right (Refurbished)	1115509	1115509	1153335E See Note(s) E, A2, A, A1, C

Motor/Gearbox Assembly Reference Chart

MKIV Electronics (4-Pole Before 10/9/06) & (GB Before 5/22/07)

Warranty/Refurbished - GB Non-Heavy Duty & Heavy Duty (HD) TrueTrack Motors

NOTE: Part #'s 1153335E, 1153336E, 1153648E, 1153649E are currently not available. Refer to part #'s 1123235E Right or 1123234E Left as replacements. Additional hardware is not required. Motors include a Controller Gasket Connector Kit and instruction sheets.

Model Number and Side	Before 2/6/03	2/6/03-1/25/04 and (2/6/03-3/14/04 For VA Gov't Orders)	1/26/04-5/21/07 and (3/15/04-5/21/07 For VA Gov't Orders)
-Right (Refurbished) w/ Wheel Lock	N/A	N/A	1153648E See Note(s) E, A2, B, B1
-Left (Refurbished)	N/A	N/A	1123234E
-Left (Refurbished)	1115509	1115509	1153336E See Note(s) E, D, A2, A, A1
-Left (Refurbished) w/ Wheel Lock	N/A	N/A	1153649E See Note(s) E, B1, A2, B

NOTE: A - Part #'s 1153335/6 and refurbished #'s are Kits including a GB HD Motor, Brake Lever Hardware and (Controller Gasket Connector kit). The brake release mechanism was revised 10/29/07 eliminating the torsion spring, adding a bellville washer and A1 - stop plate to limit travel of the brake lever to prevent permanent damage to the motor. The Controller Gasket Connector was introduced 10/26/07 and attaches to the controller motor cables. Instruction sheets included also.
A2 - A Refurbished Motor is used for a warranty replacement
B - Part #'s 1153648/9 and refurbished #'s are Kits including a GB HD Motor, Brake Lever Hardware, (Controller Gasket Connector kit) and
B1 - a revised Wheel Lock with longer mounting screws. Revised Wheel Lock used for chairs made before 10/29/07 equipped with Wheel Locks. The new Stop Plate and revised Wheel Lock now share the same mounting holes on the Suspension Arm
C - For chairs manufactured before 1/1/06 a RT. Suspension Arm Kit part #1153679 is required in addition to a motor assembly. Refer to the Suspension Arm Kits chart
D - For chairs manufactured before 1/1/06 a LT. Suspension Arm Kit part #1153680 is required in addition to a motor assembly. Refer to the Suspension Arm Kits chart
E - Part #'s 1153335E, 1153336E, 1153648E, 1153649E are currently not available. Refer to part #'s 1123235E Right or 1123234E Left as replacements. Additional hardware is not required. Motors include a Controller Gasket Connector Kit and instruction sheets.

NOTE: GB motors were not available with the Arrow (301-401HD) user weight selection until 1/26/04 when the TTHD GB motors covered all Arrow user weight limits STANDARD. **NOTE:** GB motors were not available with the Torque SP (301-351 TQHD) user weight selection until 1/26/04 when the user weight limit was raised to 400 Lbs.

Motor/Gearbox Assembly Reference Chart

MKIV Electronics (4-Pole Before 10/9/06) & (GB Before 5/22/07)

Suspension Arm and Hardware Kits

Suspension Arm Kits are ordered in "addition" to Motor Kit part numbers 1153335, 1153335E, 1153336 or 1153336E for chairs manufactured before 1/1/06

Side	Part Number
-Right	1153679 See Note(s) A
-Left	1153680 See Note(s) A

NOTE: A - Suspension Arm Kits will include the suspension arm, instruction sheet and mounting hardware for the motor, wheel, brake lever and fender. The new suspension arm will have the holes necessary to accept the brake lever stop plate

Motor/Gearbox Assembly Reference Chart

For MK6i Electronics (4-Pole After 10/8/06) & (GB After 5/21/07)

4-Pole Motor and Gearbox Assemblies

Model and Side	Part Number
Storm RX & Torque SE (4-Pole Motor/Gearbox)	Storm RX (Std.) (400 Lb. Wgt. Limit) & Torque SE (Std. Thru 4/8/07, see PERF After 4/8/07) (300 Lb. Wgt. Limit)
-Right	1144777
-Right	1153667 See Note(s) B
-Left	1144778
-Left	1153668 See Note(s) B
Storm Torque 3 (4-Pole Motor/Gearbox)	Standard (300 Lb. Weight Limit)
-Right	1152617
-Right	1153669 See Note(s) B
-Left	1152618
-Left	1153670 See Note(s) B
Torque SP with (PERF) (4-Pole Motor/Gearbox)	Standard (300 Lb. Weight Limit)
-Right	1144775 See Note(s) A
-Right	1153665 See Note(s) B
-Left	1144776 See Note(s) A
-Left	1153666 See Note(s) B
Torque SE with (PERF) (4-Pole Motor/Gearbox)	(Optional Thru 4/8/07 & Std. After 4/8/07) (300 Lb. Weight Limit)
-Right	1144775 See Note(s) A
-Left	1144776 See Note(s) A
NOTE: A - Performance package (PERF) provides a 6.5 MPH rating with (300 Lb. weight Limit) B - Motors with a ferrite bead attached are used when a Formula CG Powered Seating System is ordered with smart actuators (SMTACTS). Torque SE models do not use smart actuators (SMTACTS) Torque SE introduced 11/15/06, Torque 3 introduced 12/19/07	

Motor/Gearbox Assembly Reference Chart

For MK6i Electronics (4-Pole After 10/8/06) & (GB After 5/21/07)

New - GB Heavy Duty (HD) TrueTrack Motors

Model and Side	Part Number
Storm Arrow	Storm Arrow (Std.) (300 Lb. & 400 Lb. Weight Limits)
-Right	1153335 See Note(s) A1, A
-Right w/ Wheel Lock	1153648 See Note(s) B1, B
-Left	1153336 See Note(s) A1, A
-Left w/ Wheel Lock	1153649 See Note(s) B1, B
Storm RX	Storm RX (Optional) (400 Lb. Weight Limit)
-Right	1153335 See Note(s) A1, A
-Right w/ Wheel Lock	1153648 See Note(s) B1, B
-Left	1153336 See Note(s) A1, A
-Left w/ Wheel Lock	1153649 See Note(s) B1, B
Torque SP/SE	(Optional) (300 Lb. Weight Limit)
-Right	1153335 See Note(s) A1, A
-Right w/ Wheel Lock	1153648 See Note(s) B1, B
-Left	1153336 See Note(s) A1, A
-Left w/ Wheel Lock	1153649 See Note(s) B1, B
Torque 3	(Optional) (300 Lb. Weight Limit)
-Right	1153335 See Note(s) A1, A
-Left	1153336 See Note(s) A1, A

NOTE: A - Part #'s 1153335/6 and refurbished #'s are Kits including a GB HD Motor, Brake Lever Hardware and (Controller Motor Gasket Connector kit). The brake release mechanism was revised 10/29/07 eliminating the torsion spring, adding a bellville washer and A1 - stop plate to limit travel of the brake lever to prevent permanent damage to the motor. The Motor Gasket Connector was introduced 10/26/07 and attaches to the controller motor cables. Instruction sheets included also.
 B - Part #'s 1153648/9 and refurbished #'s are Kits including a GB HD Motor, Brake Lever Hardware, (Controller Motor Gasket Connector kit) and
 B1 - a revised Wheel Lock with longer mounting screws. Revised Wheel Lock used for chairs made before 10/29/07 equipped with Wheel Locks. The new Stop Plate and revised Wheel Lock now share the same mounting holes on the Suspension Arm

Motor/Gearbox Assembly Reference Chart

For MK6i Electronics (4-Pole After 10/8/06) & (GB After 5/21/07)

Warranty/Refurbished - GB Heavy Duty (HD) TrueTrack Motors

NOTE: Part #'s 1153335E, 1153336E, 1153648E, 1153649E are currently not available. Refer to part #'s 1123235E Right or 1123234E Left as replacements. Additional hardware is not required. Motors include a Controller Gasket Connector Kit and instruction sheets.

Model and Side	Part Number
Storm Arrow	Storm Arrow (Std.) (300 Lb. & 400 Lb. Weight Limits)
-Right (Refurbished)	1123235E
-Right (Refurbished)	1153335E <small>See Note(s) C, A1, A, A2</small>
-Right (Refurbished) w/ Wheel Lock	1153648E <small>See Note(s) C, A2, B1, B</small>
-Left (Refurbished)	1123234E
-Left (Refurbished)	1153336E <small>See Note(s) C, A1, A, A2</small>
-Left (Refurbished) w/ Wheel Lock	1153649E <small>See Note(s) C, A2, B1, B</small>
Storm RX	Storm RX (Optional) (400 Lb. Weight Limit)
-Right (Refurbished)	1123235E
-Right (Refurbished)	1153335E <small>See Note(s) C, A, A2, A1</small>
-Right (Refurbished) w/ Wheel Lock	1153648E <small>See Note(s) C, A2, B, B1</small>
-Left (Refurbished)	1123234E
-Left (Refurbished)	1153336E <small>See Note(s) C, A, A1, A2</small>
-Left (Refurbished) w/ Wheel Lock	1153649E <small>See Note(s) C, A2, B1, B</small>
Torque SP/SE	(Optional) (300 Lb. Weight Limit)
-Right (Refurbished)	1123235E
-Right (Refurbished)	1153335E <small>See Note(s) C, A2, A1, A</small>
-Right (Refurbished) w/ Wheel Lock	1153648E <small>See Note(s) C, A2, B, B1</small>
-Left (Refurbished)	1123234E
-Left (Refurbished)	1153336E <small>See Note(s) C, A2, A, A1</small>
-Left (Refurbished) w/ Wheel Lock	1153649E <small>See Note(s) C, B1, A2, B</small>
Torque 3	(Optional) (300 Lb. Weight Limit)
-Right (Refurbished)	1123235E
-Right (Refurbished)	1153335E <small>See Note(s) C, A2, A, A1</small>
-Left (Refurbished)	1123234E
-Left (Refurbished)	1153336E <small>See Note(s) C, A2, A1, A</small>

Motor/Gearbox Assembly Reference Chart

For MK6i Electronics (4-Pole After 10/8/06) & (GB After 5/21/07)

NOTE: A - Part #'s 1153335/6 and refurbished #'s are Kits including a GB HD Motor, Brake Lever Hardware and (Controller Motor Gasket Connector kit). The brake release mechanism was revised 10/29/07 eliminating the torsion spring, adding a bellville washer and A1 - stop plate to limit travel of the brake lever to prevent permanent damage to the motor. The Motor Gasket Connector was introduced 10/26/07 and attaches to the controller motor cables. Instruction sheets included also.

A2 - A Refurbished Motor is used for a warranty replacement

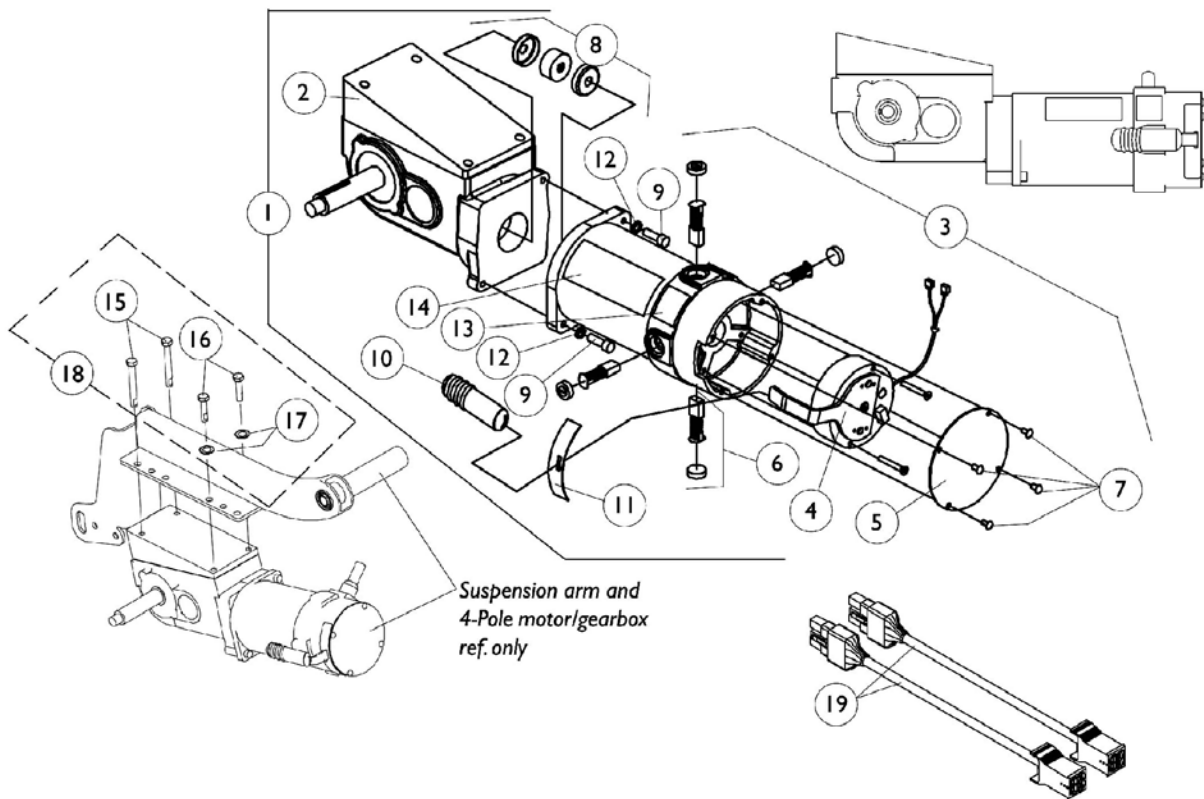
B - Part #'s 1153648/9 and refurbished #'s are Kits including a GB HD Motor, Brake Lever Hardware, (Controller Motor Gasket Connector kit) and

B1 - a revised Wheel Lock with longer mounting screws. Revised Wheel Lock used for chairs made before 10/29/07 equipped with Wheel Locks. The new Stop Plate and revised Wheel Lock now share the same mounting holes on the Suspension Arm

C - Part #'s 1153335E, 1153336E, 1153648E, 1153649E are currently not available. Refer to part #'s 1123235E Right or 1123234E Left as replacements. Additional hardware is not required. Motors include a Controller Gasket Connector Kit and instruction sheets.

4-Pole Motors and Gearboxes For MKIV Electronics Before 10/9/06

NOTE: 4-Pole motors are standard on Ranger X, all Torque SP weight limits and available on Arrow (301-400HD) models.



4-Pole Motors and Gearboxes For MKIV Electronics Before 10/9/06

NOTE: 4-Pole motors are standard on Ranger X, all Torque SP weight limits and available on Arrow (301-400HD) models.

Ranger X and Torque SP w/ (PERF)

Item Number	Description	Ranger X and Torque SP w/ (PERF) Right Side	Ranger X and Torque SP w/ (PERF) Left Side
		See Note(s) B	See Note(s) B
1.	Motor/ Gearbox	1104823 See Note(s) G	1104824 See Note(s) G
2.	Gear Box	1086223 See Note(s) E	1086224 See Note(s) E
3.	Motor Assembly with Decals See Note(s) A	1104869	1104870
4.	Brake Repair Kit	1070294	1070295
5.	Brake Cover with Screws	1104402-NLA	1104402-NLA
6.	Brushes w/ Caps (Set of 4)	1070296	1070296
7.	Screw, SHC (8-32 x 1/4")	See Item 5	See Item 5
8.	Coupling w/ Cup (1" Diameter)	5165204-NLA See Note(s) C	5165204-NLA See Note(s) C
8.	Coupling w/ Cup (1-5/16" Diameter)	50000X007 See Note(s) D	50000X007 See Note(s) D
9. See Note(s) C	Screw, SHC (1/4-20 x 1-1/8")	1043594 See Note(s) E	1043594 See Note(s) E
9.	Screw, SHC (M6 x 1 x 20MM)	1108978 See Note(s) E	1108978 See Note(s) E
10.	Cap, Brake	1101725	1101725
11.	Slotted Plate	1082985	1082985
12.	Lockwasher (1/4 x 1/2 x 1/16")	10502X001	10502X001
13.	Decal, Drive/Push	1104797	1104797
14.	Decal, 3200 RPM	1104798	1104798
15.	Screw, HHC w/ Patch (5/16-18 x 2-1/2")	1043628	1043628
16.	Screw, HHC w/ Patch (5/16-18 x 1-1/4")	1104257	1104257
17.	Washer, Lock Internal Tooth (M8)	1023263	1023263
18.	Motor Mounting Hardware (Per Side)	1104894	1104894
19.	Harness, Motor Cable Extension	1143143 See Note(s) F	1143143 See Note(s) F
Not Shown	Instruction Sheet, Decal Application	1104913	1104913

4-Pole Motors and Gearboxes For MKIV Electronics Before 10/9/06

NOTE: 4-Pole motors are standard on Ranger X, all Torque SP weight limits and available on Arrow (301-400HD) models.

NOTE: A - Decal application instruction sheet is included.
B - Performance package (PERF) offered on a TorqueSP provides a 6.5 MPH rating.
C - Coupling with Cup for chairs manufactured before 11/12/01 - use part # 50000X007 as this part's replacement.
D - After 11/11/01 Coupling with Cup was resized from approximately 1" to 1-5/16" diameter and can be used as a direct replacement for part number 5165204
E - When a new gearbox or mounting screws are ordered, (2 ea.) metric and (2 ea.) non-metric screws (item 9) must be ordered. Invacare Corp. utilizes alternate suppliers for this part number.
F - Motor Extension Cables are used only when a Retrofit Seating System Kit is ordered with MK6i upgraded electronics
G - As of May 2008, the Metal Motor End Cap will be replaced with a Composite Motor End Cap. The change does not affect form, fit, function or aesthetics.

4-Pole Motors and Gearboxes For MKIV Electronics Before 10/9/06

NOTE: 4-Pole motors are standard on Ranger X, all Torque SP weight limits and available on Arrow (301-400HD) models.

Arrow HD and ALL Torque SP's Except Torque SP w/ (PERF)

Item Number	Description	Arrow HD and All Torque SP's Except Torque SP w/ (PERF) Right Side	Arrow HD and All Torque SP's Except Torque SP w/ (PERF) Left Side
		See Note(s) B	See Note(s) B
1.	Motor/ Gearbox	1104825 See Note(s) G	1104826 See Note(s) G
2.	Gear Box	1086225 See Note(s) E	1086226 See Note(s) E
3.	Motor Assembly with Decals See Note(s) A	1104869	1104870
4.	Brake Repair Kit	1070294	1070295
5.	Brake Cover with Screws	1104402-NLA	1104402-NLA
6.	Brushes w/ Caps (Set of 4)	1070296	1070296
7.	Screw, SHC (8-32 x 1/4")	See Item 5	See Item 5
8.	Coupling w/ Cup (1" Diameter)	5165204-NLA See Note(s) C	5165204-NLA See Note(s) C
8.	Coupling w/ Cup (1-5/16" Diameter)	50000X007 See Note(s) D	50000X007 See Note(s) D
9.	Screw, SHC (1/4-20 x 1-1/8")	1043594 See Note(s) E	1043594 See Note(s) E
9.	Screw, SHC (M6 x 1 x 20MM)	1108978 See Note(s) E	1108978 See Note(s) E
10.	Cap, Brake	1101725	1101725
11.	Slotted Plate	1082985	1082985
12.	Lockwasher (1/4 x 1/2 x 1/16")	10502X001	10502X001
13.	Decal, Drive/Push	1104797	1104797
14.	Decal, 3200 RPM	1104798	1104798
15.	Screw, HHC w/ Patch (5/16-18 x 2-1/2")	1043628	1043628
16.	Screw, HHC w/ Patch (5/16-18 x 1-1/4")	1104257	1104257
17.	Washer, Lock Internal Tooth (M8)	1023263	1023263
18.	Motor Mounting Hardware (Per Side)	1104894	1104894
19.	Harness, Motor Cable Extension	1143143 See Note(s) F	1143143 See Note(s) F

4-Pole Motors and Gearboxes For MKIV Electronics Before 10/9/06

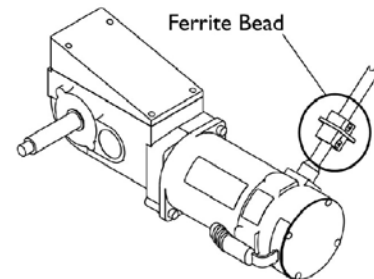
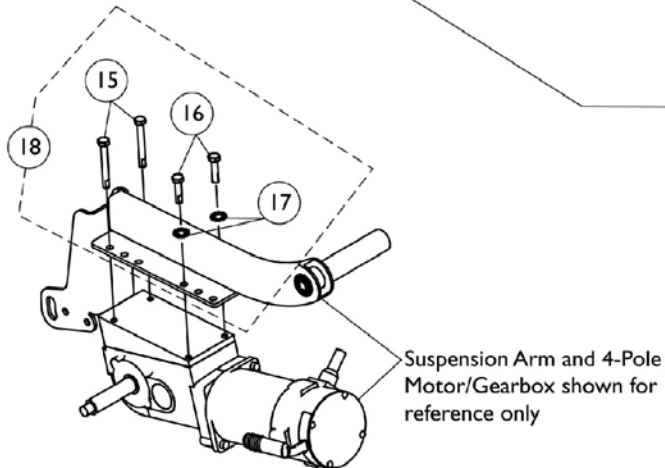
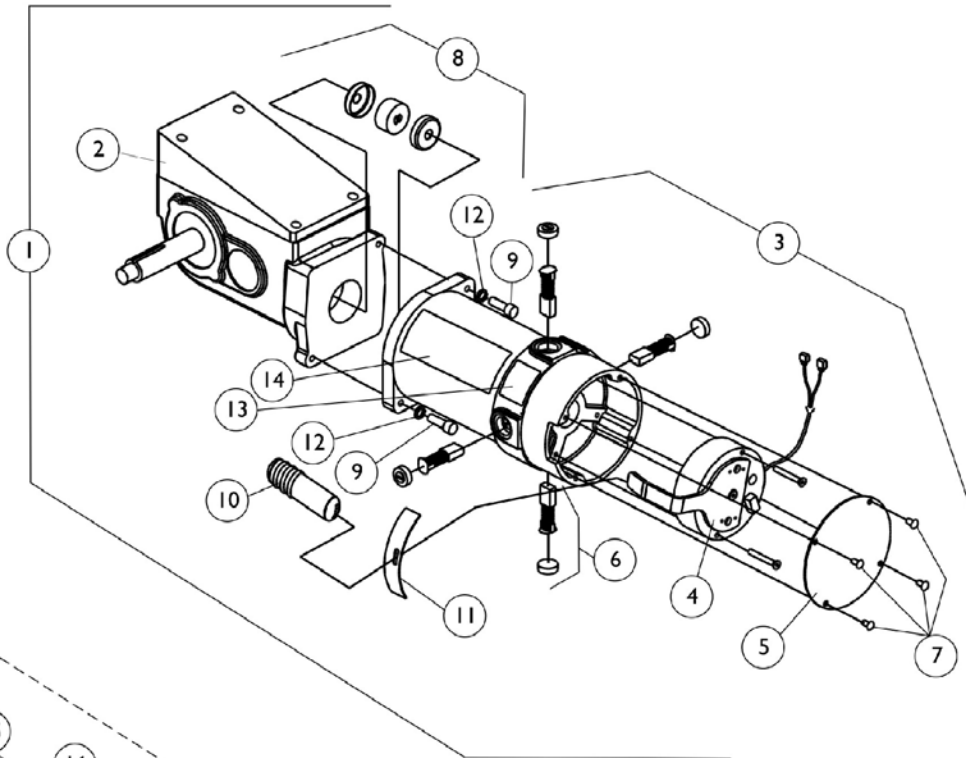
NOTE: 4-Pole motors are standard on Ranger X, all Torque SP weight limits and available on Arrow (301-400HD) models.

Arrow HD and ALL Torque SP's Except Torque SP w/ (PERF)

Item Number	Description	Arrow HD and All Torque SP's Except Torque SP w/ (PERF) Right Side See Note(s) B	Arrow HD and All Torque SP's Except Torque SP w/ (PERF) Left Side See Note(s) B
Not Shown	Instruction Sheet, Decal Application	1104913	1104913
<p>NOTE: A - Decal application instruction sheet is included. B - Performance package (PERF) offered on a TorqueSP provides a 6.5 MPH rating. C - Coupling with Cup for chairs manufactured before 11/12/01 - Use part # 50000X007 as this part's replacement. D - After 11/11/01 Coupling with Cup was resized from approximately 1" to 1-5/16" diameter and can be used as a direct replacement for part number 5165204 E - When a new gearbox or mounting screws are ordered, (2 ea.) metric and (2 ea.) non-metric screws (item 9) must be ordered. Invacare Corp. utilizes alternate suppliers for this part number. F - Motor Extension Cables are used only when a Retrofit Seating System Kit is ordered with MK6i upgraded electronics G - As of May 2008, the Metal Motor End Cap will be replaced with a Composite Motor End Cap. The change does not affect form, fit, function or aesthetics.</p>			

4-Pole Motors and Gearboxes For MK6i Electronics

For MK6i Electronics (After 10/8/06)



Motor/Gearbox with a Ferrite Bead

4-Pole Motors and Gearboxes For MK6i Electronics For MK6i Electronics (After 10/8/06)

Torque SP w/ (PERF) (Std.) & Torque SE (Optional Thru 4/8/07, Std. After 4/8/07)

Item Number	Description	(PERF) Torque SP (Standard) & Torque SE (Optional Thru 4/8/07, Std. After 4/8/07) Right Side	(PERF) Torque SP (Standard) & Torque SE (Optional Thru 4/8/07, Std. After 4/8/07) Left Side
		See Note(s) B	See Note(s) B
1.	Motor/ Gearbox	1144775	1144776
1.	Motor/ Gearbox with Ferrite Bead	1153665 See Note(s) D	1153666 See Note(s) D
2.	Gear Box	1086223 See Note(s) C	1086224 See Note(s) C
3.	Motor Assembly with Decals See Note(s) A	1145482	1145483
3.	Motor Assembly with Decals and Ferrite Bead	1153671 See Note(s) D	1153672 See Note(s) D
4.	Brake Repair Kit	1070294	1070295
5.	Brake Cover with Screws	1104402-NLA	1104402-NLA
6.	Brushes w/ Caps (Set of 4)	1070296	1070296
7.	Screw, SHC (8-32 x 1/4")	See Item 5	See Item 5
8.	Coupling w/ Cup (1-5/16" Diameter)	50000X007	50000X007
9.	Screw, SHC (1/4-20 x 1-1/8")	1043594 See Note(s) C	1043594 See Note(s) C
9.	Screw, SHC (M6 x 1 x 20MM)	1108978 See Note(s) C	1108978 See Note(s) C
10.	Cap, Brake	1101725	1101725
11.	Slotted Plate	1082985	1082985
12.	Lockwasher (1/4 x 1/2 x 1/16")	10502X001	10502X001
13.	Decal, Drive/Push	1104797	1104797
14.	Decal, 3200 RPM	1104798	1104798
15.	Screw, HHC w/ Patch (5/16-18 x 2-1/2")	1043628	1043628
16.	Screw, HHC w/ Patch (5/16-18 x 1-1/4")	1104257	1104257
17.	Washer, Lock Internal Tooth (M8)	1023263	1023263
18.	Motor Mounting Hardware (Per Side)	1104894	1104894
Not Shown	Instruction Sheet, Decal Application	1104913	1104913

4-Pole Motors and Gearboxes For MK6i Electronics

For MK6i Electronics (After 10/8/06)

NOTE: A - Decal application instruction sheet is included.
B - Performance package (PERF) offered on a TorqueSP & Torque SE provides a 6.5 MPH rating.
C - When a new gearbox or mounting screws are ordered, (2 ea.) metric and (2 ea.) non-metric screws (item 9) must be ordered. Invacare Corp. utilizes alternate suppliers for this part number.
D - Motors with a ferrite bead attached are used when a Formula CG Powered Seating System is ordered with smart actuators (SMTACTS).The ferrite bead is a non-serviceable item.

4-Pole Motors and Gearboxes For MK6i Electronics

For MK6i Electronics (After 10/8/06)

**Ranger X (Std.) (400 Lb. Limit) & Torque SE (Std. Thru 4/8/07, see PERF After 4/8/07)
(300 Lb. Limit)**

Item Number	Description	Ranger X (Std.) (400 Lb. Limit) & Torque SE (Std. Thru 4/8/07, see PERF After 4/8/07) (300 Lb. Limit) Right Side	Ranger X (Std.) (400 Lb. Limit) & Torque SE (Std. Thru 4/8/07, see PERF After 4/8/07) (300 Lb. Limit) Left Side
1.	Motor/ Gearbox	1144777	1144778
1. See Note(s) C	Motor/ Gearbox with Ferrite Bead	1153667 See Note(s) C	1153668 See Note(s) C
2. See Note(s) B	Gear Box	1086225	1086226 See Note(s) B
3.	Motor Assembly with Decals See Note(s) A	1145482	1145483
3.	Motor Assembly with Decals and Ferrite Bead See Note(s) A	1153671 See Note(s) C	1153672 See Note(s) C
4.	Brake Repair Kit	1070294	1070295
5.	Brake Cover with Screws	1104402-NLA	1104402-NLA
6.	Brushes w/ Caps (Set of 4)	1070296	1070296
7.	Screw, SHC (8-32 x 1/4")	See Item 5	See Item 5
8.	Coupling w/ Cup (1-5/16" Diameter)	50000X007	50000X007
9.	Screw, SHC (1/4-20 x 1-1/8")	1043594 See Note(s) B	1043594 See Note(s) B
9.	Screw, SHC (M6 x 1 x 20MM)	1108978 See Note(s) B	1108978 See Note(s) B
10.	Cap, Brake	1101725	1101725
11.	Slotted Plate	1082985	1082985
12.	Lockwasher (1/4 x 1/2 x 1/16")	10502X001	10502X001
13.	Decal, Drive/Push	1104797	1104797
14.	Decal, 3200 RPM	1104798	1104798
15.	Screw, HHC w/ Patch (5/16-18 x 2-1/2")	1043628	1043628
16.	Screw, HHC w/ Patch (5/16-18 x 1-1/4")	1104257	1104257
17.	Washer, Lock Internal Tooth (M8)	1023263	1023263
18.	Motor Mounting Hardware (Per Side)	1104894	1104894

4-Pole Motors and Gearboxes For MK6i Electronics

For MK6i Electronics (After 10/8/06)

**Ranger X (Std.) (400 Lb. Limit) & Torque SE (Std. Thru 4/8/07, see PERF After 4/8/07)
(300 Lb. Limit)**

Item Number	Description	Ranger X (Std.) (400 Lb. Limit) & Torque SE (Std. Thru 4/8/07, see PERF After 4/8/07) (300 Lb. Limit) Right Side	Ranger X (Std.) (400 Lb. Limit) & Torque SE (Std. Thru 4/8/07, see PERF After 4/8/07) (300 Lb. Limit) Left Side
Not Shown	Instruction Sheet, Decal Application	1104913	1104913

NOTE: A - Decal application instruction sheet is included.
 B - When a new gearbox or mounting screws are ordered, (2 ea.) metric and (2 ea.) non-metric screws (item 9) must be ordered. Invacare Corp. utilizes alternate suppliers for this part number.
 C - Motors with a ferrite bead attached are used when a Formula CG Powered Seating System is ordered with smart actuators (SMTACTS). Torque SE models do not use smart actuators. The ferrite bead is a non-serviceable item.

Torque SE introduced 11/15/06

4-Pole Motors and Gearboxes For MK6i Electronics

For MK6i Electronics (After 10/8/06)

Torque 3 (Std.)

Item Number	Description	Torque 3 (Std.) (300 Lb. Limit) Right Side	Torque 3 (Std.) (300 Lb. Limit) Left Side
1.	Motor/ Gearbox	1152617	1152618
1.	Motor/ Gearbox with Ferrite Bead	1153669 See Note(s) C	1153670 See Note(s) C
2. See Note(s) B	Gear Box	1152613	1152614 See Note(s) B
3.	Motor Assembly with Decals See Note(s) A	1145482	1145483
3.	Motor Assembly with Decals and Ferrite Bead See Note(s) A	1153671 See Note(s) C	1153672 See Note(s) C
4.	Brake Repair Kit	1070294	1070295
5.	Brake Cover with Screws	1104402-NLA	1104402-NLA
6.	Brushes w/ Caps (Set of 4)	1070296	1070296
7.	Screw, SHC (8-32 x 1/4")	See Item 5	See Item 5
8.	Coupling w/ Cup (1-5/16" Diameter)	50000X007	50000X007
9.	Screw, SHC (1/4-20 x 1-1/8")	1043594 See Note(s) B	1043594 See Note(s) B
9.	Screw, SHC (M6 x 1 x 20MM)	1108978 See Note(s) B	1108978 See Note(s) B
10.	Cap, Brake	1101725	1101725
11.	Slotted Plate	1082985	1082985
12.	Lockwasher (1/4 x 1/2 x 1/16")	10502X001	10502X001
13.	Decal, Drive/Push	1104797	1104797
14.	Decal, 3200 RPM	1104798	1104798
15.	Screw, HHC w/ Patch (5/16-18 x 2-1/2")	1043628	1043628
16.	Screw, HHC w/ Patch (5/16-18 x 1-1/4")	1104257	1104257
17.	Washer, Lock Internal Tooth (M8)	1023263	1023263
18.	Motor Mounting Hardware (Per Side)	1104894	1104894
Not Shown	Instruction Sheet, Decal Application	1104913	1104913

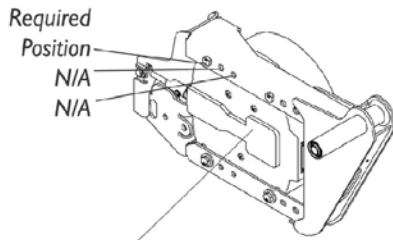
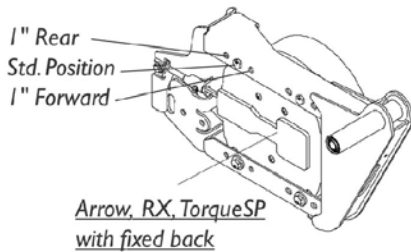
4-Pole Motors and Gearboxes For MK6i Electronics For MK6i Electronics (After 10/8/06)

NOTE: A - Decal application instruction sheet is included.
B - When a new gearbox or mounting screws are ordered, (2 ea.) metric and (2 ea.) non-metric screws (item 9) must be ordered. Invacare Corp. utilizes alternate suppliers for this part number.
C - Motors with a ferrite bead attached are used when a Formula CG Powered Seating System is ordered with smart actuators (SMTACTS). The ferrite bead is a non-serviceable item.

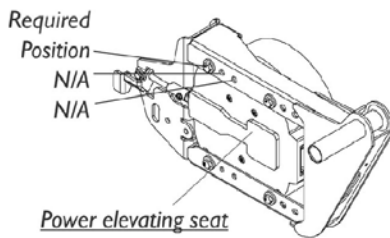
Torque 3 introduced 12/19/07

GB (TrueTrack) Non-Heavy Duty Motors and Hardware For MKIV Electronics Only

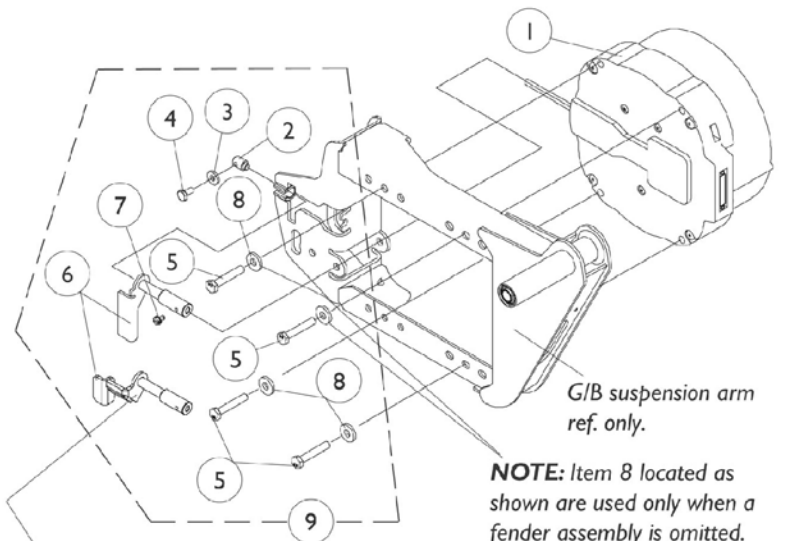
NOTE: GB motors were not available with the Arrow (301-401HD) user weight selection until 1/26/04 when the TTHD GB motors covered all Arrow user weight limits STANDARD. **NOTE:** GB motors were not available with the Torque SP (301-351 TQHD) user weight selection until 1/26/04 when the user weight limit was raised to 400 Lbs.



Arrow, RX, TorqueSP with manual recline, power tilt/recline seating systems or high back captain seats.

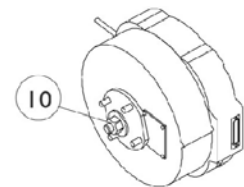


Motor Mounting Locations



NOTE: This brake release handle is used when a power elevating seat is present.

NOTE: Item 8 located as shown are used only when a fender assembly is omitted.



GB (TrueTrack) Non-Heavy Duty Motors and Hardware For MKIV Electronics Only

NOTE: GB motors were not available with the Arrow (301-401HD) user weight selection until 1/26/04 when the TTHD GB motors covered all Arrow user weight limits STANDARD. NOTE: GB motors were not available with the Torque SP (301-351 TQHD) user weight selection until 1/26/04 when the user weight limit was raised to 400 Lbs.

Item Number	Note	Part Number	Description	Quantity Per	
				Package	Assembly
1	E	1115509	Kit, Motor, GB Non-Heavy Duty (Refurbished) with Instruction Sheet	1	1
1a	D	See Chart	Item #1a New Motor - Date Application Reference Chart	1	1
1b	D	See Chart	Item #1b Warranty/Refurbished Motor - Date Application Reference Chart	1	1
2		1078213	Pin, Alignment	1	1
3		1018739	Washer (1/4 x 5/8 x 3/32")	1	1
4		1078214	Screw, Hex Head Cap w/ Patch (1/4-20 x 1/2")	1	1
5		1085633	Screw, Hex Head Cap (M8 x 1-1/4 x 45)	1	4
6		1105600	Handle, Brake Release, Right	1	1
6		1105601	Handle, Brake Release, Left	1	1
6		1106532	Handle, Brake Release (Power Elevating Seat Only), Right	1	1
6		1106533	Handle, Brake Release (Power Elevating Seat Only), Left	1	1
7		1078228	Screw, Hex Head Slot with Patch (#10-32 x 5/16")	1	1
8		1079247	Washer, Flat (21/64 x 53/64 x 7/64")	1	4
9		1104872	Hardware, Motor Mounting, Right	1	1
9		1104873	Hardware, Motor Mounting, Left	1	1
9		1108769	Hardware, Motor Mounting (Power Elevating Seat Only), Right	1	1
9		1108770	Hardware, Motor Mounting (Power Elevating Seat Only), Left	1	1
10	B	1112955	Repair Kit, GB Motor, Anti-Rattle with Instruction Sheet	2	1
	C	1112828	Instruction Sheet, GB Motor Anti-Rattle Repair Kit	1	1

NOTE: B - Service Kit for two motors include 2 each hex head nuts, washers, hub keys and O-rings. Individual components are not available.
C - not shown
D - Refer to the "Motor Date Application Reference Chart" for selecting motor
E - Item 1 part number 1115509 is a refurbished replacement motor for part number 1115508 only.

Item #1a New Motor - Date Application Reference Chart

Model Number and Side	Before 2/6/03	2/6/03-1/25/04 and (2/6/03-3/14/04 For VA Gov't Orders)	1/26/04-5/21/07 and (3/15/04-5/21/07 For VA Gov't Orders)
Storm Arrow	TRUTK (Non-Heavy Duty) Standard	TRUTK (Non-Heavy Duty) Standard	TTHD (Heavy Duty) Standard
-Right See Note(s) C	1115508	1115508	1153335 See Note(s) C, A1, A

GB (TrueTrack) Non-Heavy Duty Motors and Hardware For MKIV Electronics Only

NOTE: GB motors were not available with the Arrow (301-401HD) user weight selection until 1/26/04 when the TTHD GB motors covered all Arrow user weight limits STANDARD. NOTE: GB motors were not available with the Torque SP (301-351 TQHD) user weight selection until 1/26/04 when the user weight limit was raised to 400 Lbs.

Item #1a New Motor - Date Application Reference Chart

Model Number and Side	Before 2/6/03	2/6/03-1/25/04 and (2/6/03-3/14/04 For VA Gov't Orders)	1/26/04-5/21/07 and (3/15/04-5/21/07 For VA Gov't Orders)
-Right w/ Wheel Lock	N/A	N/A	1153648 See Note(s) B1, B
-Left	1115508	1115508	1153336 See Note(s) D, A1, A
-Left w/ Wheel Lock	N/A	N/A	1153649 See Note(s) B1, B
Storm Arrow	N/A	TTHD (Heavy Duty) Optional	N/A
-Right	N/A	1153335 See Note(s) C, A, A1	N/A
-Right w/ Wheel Lock	N/A	1153648 See Note(s) B1, B	N/A
-Left	N/A	1153336 See Note(s) D, A1, A	N/A
-Left w/ Wheel Lock	N/A	1153649 See Note(s) B1, B	N/A
Storm RX	TRUTK (Non-Heavy Duty) Optional	TRUTK (Non-Heavy Duty) Optional	TRUTK (Heavy Duty) Optional
-Right	1115508	1115508	1153335 See Note(s) C, A1, A
-Right w/ Wheel Lock	N/A	N/A	1153648 See Note(s) B1, B
-Left	1115508	1115508	1153336 See Note(s) D, A1, A
-Left w/ Wheel Lock	N/A	N/A	1153649 See Note(s) B1, B
Torque SP	TRUTK (Non-Heavy Duty) Optional	TRUTK (Non-Heavy Duty) Optional	TRUTK (Heavy Duty) Optional
-Right	1115508	1115508	1153335 See Note(s) C, A1, A
-Right w/ Wheel Lock	N/A	N/A	1153648 See Note(s) B1, B
-Left	1115508	1115508	1153336 See Note(s) D, A1, A
-Left w/ Wheel Lock	N/A	N/A	1153649 See Note(s) B1, B

GB (TrueTrack) Non-Heavy Duty Motors and Hardware For MKIV Electronics Only

NOTE: GB motors were not available with the Arrow (301-401HD) user weight selection until 1/26/04 when the TTHD GB motors covered all Arrow user weight limits STANDARD. NOTE: GB motors were not available with the Torque SP (301-351 TQHD) user weight selection until 1/26/04 when the user weight limit was raised to 400 Lbs.

NOTE: A - Part #'s 1153335/6 and refurbished #'s are Kits including a GB HD Motor, Brake Lever Hardware and (Controller Motor Gasket Connector kit). The brake release mechanism was revised 10/29/07 eliminating the torsion spring, adding a bellville washer and A1 - stop plate to limit travel of the brake lever to prevent permanent damage to the motor. The Motor Gasket Connector was introduced 10/26/07 and attaches to the controller motor cables. Instruction sheets included also.
B - Part #'s 1153648/9 and refurbished #'s are Kits including a GB HD Motor, Brake Lever Hardware, (Controller Motor Gasket Connector kit) and
B1 - a revised Wheel Lock with longer mounting screws. Revised Wheel Lock used for chairs made before 10/29/07 equipped with Wheel Locks. The new Stop Plate and revised Wheel Lock now share the same mounting holes on the Suspension Arm
C - For chairs manufactured before 1/1/06 a RT. Suspension Arm Kit part #1153679 is required in addition to a motor assembly. Refer to the Suspension Arm Kits chart
D - For chairs manufactured before 1/1/06 a LT. Suspension Arm Kit part #1153680 is required in addition to a motor assembly. Refer to the Suspension Arm Kits chart

NOTE: GB motors were not available with the Arrow (301-401HD) user weight selection until 1/26/04 when the TTHD GB motors covered all Arrow user weight limits STANDARD. NOTE: GB motors were not available with the Torque SP (301-351 TQHD) user weight selection until 1/26/04 when the user weight limit was raised to 400 Lbs.

GB (TrueTrack) Non-Heavy Duty Motors and Hardware For MKIV Electronics Only

NOTE: GB motors were not available with the Arrow (301-401HD) user weight selection until 1/26/04 when the TTHD GB motors covered all Arrow user weight limits STANDARD. NOTE: GB motors were not available with the Torque SP (301-351 TQHD) user weight selection until 1/26/04 when the user weight limit was raised to 400 Lbs.

Item #1b Warranty/Refurbished Motor - Date Application Reference Chart

NOTE: Part #'s 1153335E, 1153336E, 1153648E, 1153649E are currently not available. Refer to part #'s 1123235E Right or 1123234E Left as replacements. Additional hardware is not required. Motors include a Controller Gasket Connector Kit and instruction sheets.

Model Number and Side	Before 2/6/03	2/6/03-1/25/04 and (2/6/03-3/14/04 For VA Gov't Orders)	1/26/04-5/21/07 and (3/15/04-5/21/07 For VA Gov't Orders)
Storm Arrow	TRUTK (Non-Heavy Duty) Standard	TRUTK (Non-Heavy Duty) Standard	TTHD (Heavy Duty) Standard
-Right (Refurbished)	N/A	N/A	1123235E
-Right (Refurbished)	1115509	1115509	1153335E See Note(s) E, C, A2, A, A1
-Right (Refurbished) w/ Wheel Lock	N/A	N/A	1153648E See Note(s) B1, B, A2, E
-Left (Refurbished)	N/A	N/A	1123234E
-Left (Refurbished)	1115509	1115509	1153336E See Note(s) E, D, A2, A, A1
-Left (Refurbished) w/ Wheel Lock	N/A	N/A	1153649E See Note(s) E, B1, B, A2
Storm Arrow	N/A	TTHD (Heavy Duty) Optional	N/A
-Right (Refurbished)	N/A	1123235E	N/A
-Right (Refurbished)	N/A	1153335E See Note(s) E, C, A2, A1, A	N/A
-Right (Refurbished) w/ Wheel Lock	N/A	1153648E See Note(s) E, B1, B, A2	N/A
-Left (Refurbished)	N/A	1123234E	N/A
-Left (Refurbished)	N/A	1153336E See Note(s) E, A, D, A2, A1	N/A
-Left (Refurbished) w/ Wheel Lock	N/A	1153649E See Note(s) E, B1, B, A2	N/A
Storm RX	TRUTK (Non-Heavy Duty) Optional	TRUTK (Non-Heavy Duty) Optional	TRUTK (Heavy Duty) Optional
-Right (Refurbished)	N/A	N/A	1123235E
-Right (Refurbished)	1115509	1115509	1153335E See Note(s) E, C, A2, A, A1
-Right (Refurbished) w/ Wheel Lock	N/A	N/A	1153648E See Note(s) E, B1, B, A2
-Left (Refurbished)	N/A	N/A	1123234E
-Left (Refurbished)	1115509	1115509	1153336E See Note(s) E, A, D, A1, A2
-Left (Refurbished) w/ Wheel Lock	N/A	N/A	1153649E See Note(s) E, B1, B, A2
Torque SP	TRUTK (Non-Heavy Duty) Optional	TRUTK (Non-Heavy Duty) Optional	TRUTK (Heavy Duty) Optional

GB (TrueTrack) Non-Heavy Duty Motors and Hardware For MKIV Electronics Only

NOTE: GB motors were not available with the Arrow (301-401HD) user weight selection until 1/26/04 when the TTHD GB motors covered all Arrow user weight limits STANDARD. NOTE: GB motors were not available with the Torque SP (301-351 TQHD) user weight selection until 1/26/04 when the user weight limit was raised to 400 Lbs.

Item #1b Warranty/Refurbished Motor - Date Application Reference Chart

NOTE: Part #'s 1153335E, 1153336E, 1153648E, 1153649E are currently not available. Refer to part #'s 1123235E Right or 1123234E Left as replacements. Additional hardware is not required. Motors include a Controller Gasket Connector Kit and instruction sheets.

Model Number and Side	Before 2/6/03	2/6/03-1/25/04 and (2/6/03-3/14/04 For VA Gov't Orders)	1/26/04-5/21/07 and (3/15/04-5/21/07 For VA Gov't Orders)
-Right (Refurbished)	N/A	N/A	1123235E
-Right (Refurbished)	1115509	1115509	1153335E See Note(s) E, C, A2, A, A1
-Right (Refurbished) w/ Wheel Lock	N/A	N/A	1153648E See Note(s) E, A2, B, B1
-Left (Refurbished)	N/A	N/A	1123234E
-Left (Refurbished)	1115509	1115509	1153336E See Note(s) E, A, A1, A2, D
-Left (Refurbished) w/ Wheel Lock	N/A	N/A	1153649E See Note(s) E, B1, A2, B

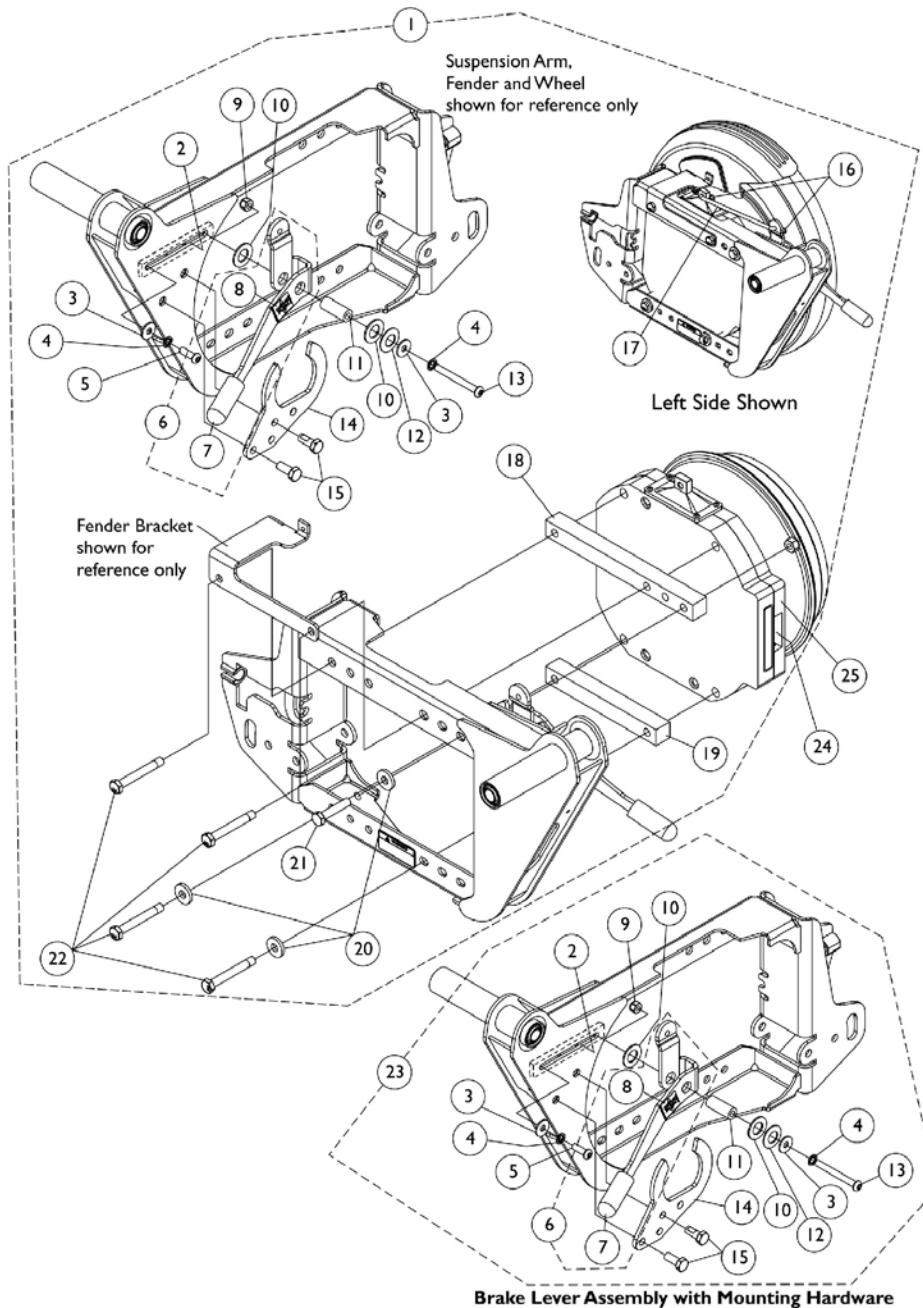
NOTE: A - Part #'s 1153335/6 and refurbished #'s are Kits including a GB HD Motor, Brake Lever Hardware and (Controller Motor Gasket Connector kit). The brake release mechanism was revised 10/29/07 eliminating the torsion spring, adding a bellville washer and A1 - stop plate to limit travel of the brake lever to prevent permanent damage to the motor. The Motor Gasket Connector was introduced 10/26/07 and attaches to the controller motor cables. Instruction sheets included also.
A2 - A Refurbished Motor is used for a warranty replacement
B - Part #'s 1153648/9 and refurbished #'s are Kits including a GB HD Motor, Brake Lever Hardware, (Controller Motor Gasket Connector kit) and
B1 - a revised Wheel Lock with longer mounting screws. Revised Wheel Lock used for chairs made before 10/29/07 equipped with Wheel Locks. The new Stop Plate and revised Wheel Lock now share the same mounting holes on the Suspension Arm
C - For chairs manufactured before 1/1/06 a RT. Suspension Arm Kit part #1153679 is required in addition to a motor assembly. Refer to the Suspension Arm Kits chart
D - For chairs manufactured before 1/1/06 a LT. Suspension Arm Kit part #1153680 is required in addition to a motor assembly. Refer to the Suspension Arm Kits chart
E - Part #'s 1153335E, 1153336E, 1153648E, 1153649E are currently not available. Refer to part #'s 1123235E Right or 1123234E Left as replacements. Additional hardware is not required. Motors include a Controller Gasket Connector Kit and instruction sheets.

NOTE: GB motors were not available with the Arrow (301-401HD) user weight selection until 1/26/04 when the TTHD GB motors covered all Arrow user weight limits STANDARD. NOTE: GB motors were not available with the Torque SP (301-351 TQHD) user weight selection until 1/26/04 when the user weight limit was raised to 400 Lbs.

GB (TrueTrack) Heavy Duty Motors and Hardware

For Both MKIV Elec.'s Before 5/22/07 & MK6i After 5/21/07

NOTE: GB motors were not available with the Arrow (301-401HD) user weight selection until 1/26/04 when the TTHD GB motors covered all Arrow user weight limits STANDARD. **NOTE:** GB motors were not available with the Torque SP (301-351 TQHD) user weight selection until 1/26/04 when the user weight limit was raised to 400 Lbs.



GB (TrueTrack) Heavy Duty Motors and Hardware

For Both MKIV Elec.'s Before 5/22/07 & MK6i After 5/21/07

NOTE: GB motors were not available with the Arrow (301-401HD) user weight selection until 1/26/04 when the TTHD GB motors covered all Arrow user weight limits STANDARD. NOTE: GB motors were not available with the Torque SP (301-351 TQHD) user weight selection until 1/26/04 when the user weight limit was raised to 400 Lbs.

Item Number	Note	Part Number	Description	Quantity Per			
				Package	Assembly		
1	A,B,B1	1116697	Kit, GB Heavy Duty Motor Mounting Hardware - Right	1	1		
2			Plate, Lever	1	1		
3			Washer (1/4 x 23/32 x 1/16")	1	2		
4			Lockwasher (1/4 x 15/32 x 1/64")	1	2		
5			Screw, Socket Head (1/4-20 x 3/4")	1	1		
6			Brake Lever Assembly, Right	1	1		
9			Locknut (1/4-20)	1	1		
10			Washer, Nylon (35/64 x 1 x 1/16")	1	2		
11			Insert, Lever	1	1		
12			Washer, Belleville (1/2 x 1 x 1/32")	1	1		
13			Screw, Socket Button Head (1/4-20X2-1/4")	1	1		
14			Plate, Stop	1	1		
15			Screw, Hex Head Cap with Patch (5/16-18 x 3/4")	1	2		
16			Cotter, Locking Bow-Tie 1/4" Shaft	1	2		
17			Linkage, Rod	1	1		
18			Spacer, Top GB Motor	1	1		
19			Spacer, Bottom GB Motor	1	1		
20			Washer, Flat (21/64 x 53/64 x 7/64")	1	3		
21			Screw, Hex Head (5/16-18 x 1-1/2")	1	1		
22			Screw, Hex Head Cap (M8 x 1.25 x 60MM)	1	4		
					Kit, GB HD Controller Gasket Connector	1	1
1			A,B,B1	1116698	Kit, GB Heavy Duty Motor Mounting Hardware - Left	1	1
2	Plate, Lever	1			1		
3	Washer (1/4 x 23/32 x 1/16")	1			2		
4	Lockwasher (1/4 x 15/32 x 1/64")	1			2		
5	Screw, Socket Head (1/4-20 x 3/4")	1			1		
6	Brake Lever Assembly, Left	1			1		
9	Locknut (1/4-20)	1			1		
10	Washer, Nylon (35/64 x 1 x 1/16")	1			2		
11	Insert, Lever	1			1		
12	Washer, Belleville (1/2 x 1 x 1/32")	1			1		
13	Screw, Socket Button Head (1/4-20X2-1/4")	1			1		
14	Plate, Stop	1			1		
15	Screw, Hex Head Cap with Patch (5/16-18 x 3/4")	1			2		
16	Cotter, Locking Bow-Tie 1/4" Shaft	1			2		
17	Linkage, Rod	1			1		
18	Spacer, Top GB Motor	1			1		
19	Spacer, Bottom GB Motor	1			1		
20	Washer, Flat (21/64 x 53/64 x 7/64")	1			3		

GB (TrueTrack) Heavy Duty Motors and Hardware

For Both MKIV Elec.'s Before 5/22/07 & MK6i After 5/21/07

NOTE: GB motors were not available with the Arrow (301-401HD) user weight selection until 1/26/04 when the TTHD GB motors covered all Arrow user weight limits STANDARD. NOTE: GB motors were not available with the Torque SP (301-351 TQHD) user weight selection until 1/26/04 when the user weight limit was raised to 400 Lbs.

Item Number	Note	Part Number	Description	Quantity Per	
				Package	Assembly
21			Screw, Hex Head (5/16-18 x 1-1/2")	1	1
22			Screw, Hex Head Cap (M8 x 1.25 x 60MM)	1	4
			Kit, GB HD Controller Gasket Connector	1	1
23	B,B1,I	1153519	Kit, Brake Lever Assembly with Mounting Hardware - Right	1	1
2			Plate, Lever	1	1
3			Washer (1/4 x 23/32 x 1/16")	1	2
4			Lockwasher (1/4 x 15/32 x 1/64")	1	2
5			Screw, Socket Head (1/4-20 x 3/4")	1	1
6			Brake Lever Assembly, Right	1	1
9			Locknut (1/4-20)	1	1
10			Washer, Nylon (35/64 x 1 x 1/16")	1	2
11			Insert, Lever	1	1
12			Washer, Belleville (1/2 x 1 x 1/32")	1	1
13			Screw, Socket Button Head (1/4-20X2-1/4")	1	1
14			Plate, Stop	1	1
15			Screw, Hex Head Cap with Patch (5/16-18 x 3/4")	1	2
23	B,B1,I	1153520	Kit, Brake Lever Assembly with Mounting Hardware - Left	1	1
2			Plate, Lever	1	1
3			Washer (1/4 x 23/32 x 1/16")	1	2
4			Lockwasher (1/4 x 15/32 x 1/64")	1	2
5			Screw, Socket Head (1/4-20 x 3/4")	1	1
6			Brake Lever Assembly, Left	1	1
9			Locknut (1/4-20)	1	1
10			Washer, Nylon (35/64 x 1 x 1/16")	1	2
11			Insert, Lever	1	1
12			Washer, Belleville (1/2 x 1 x 1/32")	1	1
13			Screw, Socket Button Head (1/4-20X2-1/4")	1	1
14			Plate, Stop	1	1
15			Screw, Hex Head Cap with Patch (5/16-18 x 3/4")	1	2
7		1136024	Package, Rubber Tips, Wheel Lock Handle, Black	10	1
8		1114835	Decal, GB Drive/Push	1	1
24	C	1133188	Gasket, Motor Connector	1	1
25	D	See Chart	Item #25 New Motor - Date Application Reference Chart MKIV (Before 5/22/07)	1	1
25a	D	See Chart	Item #25a Warranty/Refurbished Motor - Date Application Reference Chart MKIV (Before 5/22/07)	1	1
25b	D	See Chart	Item #25b New Motor - Date Application Reference Chart MK6i (After 5/21/07)	1	1

GB (TrueTrack) Heavy Duty Motors and Hardware

For Both MKIV Elec.'s Before 5/22/07 & MK6i After 5/21/07

NOTE: GB motors were not available with the Arrow (301-401HD) user weight selection until 1/26/04 when the TTHD GB motors covered all Arrow user weight limits STANDARD. NOTE: GB motors were not available with the Torque SP (301-351 TQHD) user weight selection until 1/26/04 when the user weight limit was raised to 400 Lbs.

Item Number	Note	Part Number	Description	Quantity Per	
				Package	Assembly
25c	D	See Chart	Item #25c Warranty/Refurbished Motor - Date Application Reference Chart MK6i (After 5/21/07)	1	1
	F	See Chart	Suspension Arm Kits (Used for Chairs Manufactured Before 1/1/06 Only)	1	1
	E	1144925	Kit, Stand-Off Screw with Lockwasher	1	2
	F	1110531	Instruction Sheet, GB Motor Replacement For 3G Storm	1	1
	F,G,G1	1134214	Kit, GB HD Controller Gasket Connector	1	1
	F,H	1115476	Spring, Torsion Right	1	1
	F,H	1115477	Spring, Torsion Left	1	1

NOTE: A - Includes items 2-6, 9-22. Item #7 Rubber Tip and item #8 GB drive/Push Decal is included with item #6 Brake Lever Assembly. A Controller Gasket Connector Kit part #1134214 created 10/26/07 (not shown) will also be included.
 B - The brake release mechanism was revised 10/29/07 eliminating the Torsion Spring, adding a bellville washer and a stop plate to limit travel of the Brake Release Lever. If a customer requests just the Torsion Spring for chairs before 10/29/07, B1 - order part #1115476 RT or 1115477 LT otherwise order the Brake Lever and Mounting Hardware Kit item #23 that retrofits to all GB HD Motors in the field.
 C - Connector Gasket added to all GB HD Motors 5/16/06 and comes standard when a new motor is ordered. Gasket can be attached to all GB HD Motors in the field before 5/16/06 as well
 D - Refer to the "Motor Date Application Reference Charts" for selecting a motor
 E - Stand-Off Screw with Lockwasher kit used to secure the controller cable on the GB motors
 F - Not Shown
 G - Kit was created 10/26/07 and attaches to the controller motor cables. Includes 2 ea. GB HD Controller Gasket Connectors, 2 ea. Silicon Lubricant Packets, 1 ea. Instruction Sheet. Individual components are non-saleable.
 G1 - The kit can retrofit to existing GB HD controllers in the field
 H - Used for brake release mechanisms manufactured for chairs before 10/29/07. Torsion Spring no longer used after 10/28/07
 I - Includes items 2-6 and 9-15

Item #25 New Motor - Date Application Reference Chart MKIV (Before 5/22/07)

Model Number and Side	Before 2/6/03	2/6/03-1/25/04 and (2/6/03-3/14/04 For VA Gov't Orders)	1/26/04-5/21/07 and (3/15/04-5/21/07 For VA Gov't Orders)
Storm Arrow	TRUTK (Non-Heavy Duty) Standard	TRUTK (Non-Heavy Duty) Standard	TTHD (Heavy Duty) Standard
-Right	1115508	1115508	1153335 See Note(s) A1, C, A
-Right w/ Wheel Lock	N/A	N/A	1153648 See Note(s) B1, B
-Left	1115508	1115508	1153336 See Note(s) A, A1, D
-Left w/ Wheel Lock	N/A	N/A	1153649 See Note(s) B1, B
Storm Arrow	N/A	TTHD (Heavy Duty) Optional	N/A

GB (TrueTrack) Heavy Duty Motors and Hardware

For Both MKIV Elec.'s Before 5/22/07 & MK6i After 5/21/07

NOTE: GB motors were not available with the Arrow (301-401HD) user weight selection until 1/26/04 when the TTHD GB motors covered all Arrow user weight limits STANDARD. NOTE: GB motors were not available with the Torque SP (301-351 TQHD) user weight selection until 1/26/04 when the user weight limit was raised to 400 Lbs.

Item #25 New Motor - Date Application Reference Chart MKIV (Before 5/22/07)

Model Number and Side	Before 2/6/03	2/6/03-1/25/04 and (2/6/03-3/14/04 For VA Gov't Orders)	1/26/04-5/21/07 and (3/15/04-5/21/07 For VA Gov't Orders)
-Right	N/A	1153335 See Note(s) A, A1, C	N/A
-Right w/ Wheel Lock	N/A	1153648 See Note(s) B1, B	N/A
-Left	N/A	1153336 See Note(s) A, D, A1	N/A
-Left w/ Wheel Lock	N/A	1153649 See Note(s) B1, B	N/A
Storm RX	TRUTK (Non-Heavy Duty) Optional	TRUTK (Non-Heavy Duty) Optional	TRUTK (Heavy Duty) Optional
-Right	1115508	1115508	1153335 See Note(s) A, A1, C
-Right w/ Wheel Lock	N/A	N/A	1153648 See Note(s) B1, B
-Left	1115508	1115508	1153336 See Note(s) A, D, A1
-Left w/ Wheel Lock	N/A	N/A	1153649 See Note(s) B1, B
Torque SP	TRUTK (Non-Heavy Duty) Optional	TRUTK (Non-Heavy Duty) Optional	TRUTK (Heavy Duty) Optional
-Right	1115508	1115508	1153335 See Note(s) A, A1, C
-Right w/ Wheel Lock	N/A	N/A	1153648 See Note(s) B1, B
-Left	1115508	1115508	1153336 See Note(s) A, D, A1
-Left w/ Wheel Lock	N/A	N/A	1153649 See Note(s) B1, B

GB (TrueTrack) Heavy Duty Motors and Hardware

For Both MKIV Elec.'s Before 5/22/07 & MK6i After 5/21/07

NOTE: GB motors were not available with the Arrow (301-401HD) user weight selection until 1/26/04 when the TTHD GB motors covered all Arrow user weight limits STANDARD. NOTE: GB motors were not available with the Torque SP (301-351 TQHD) user weight selection until 1/26/04 when the user weight limit was raised to 400 Lbs.

NOTE: A - Part #'s 1153335/6 and refurbished #'s are Kits including a GB HD Motor, Brake Lever Hardware and (Controller Gasket Connector kit). The brake release mechanism was revised 10/29/07 eliminating the torsion spring, adding a bellville washer and A1 - stop plate to limit travel of the brake lever to prevent permanent damage to the motor. The Controller Gasket Connector was introduced 10/26/07 and attaches to the controller motor cables. Instruction sheets included also.
B - Part #'s 1153648/9 and refurbished #'s are Kits including a GB HD Motor, Brake Lever Hardware, (Controller Gasket Connector kit) and
B1 - a revised Wheel Lock with longer mounting screws. Revised Wheel Lock used for chairs made before 10/29/07 equipped with Wheel Locks. The new Stop Plate and revised Wheel Lock now share the same mounting holes on the Suspension Arm
C - For chairs manufactured before 1/1/06 a RT. Suspension Arm Kit part #1153679 is required in addition to a motor assembly. Refer to the Suspension Arm Kits chart
D - For chairs manufactured before 1/1/06 a LT. Suspension Arm Kit part #1153680 is required in addition to a motor assembly. Refer to the Suspension Arm Kits chart

NOTE: GB motors were not available with the Arrow (301-401HD) user weight selection until 1/26/04 when the TTHD GB motors covered all Arrow user weight limits STANDARD. NOTE: GB motors were not available with the Torque SP (301-351 TQHD) user weight selection until 1/26/04 when the user weight limit was raised to 400 Lbs.

GB (TrueTrack) Heavy Duty Motors and Hardware

For Both MKIV Elec.'s Before 5/22/07 & MK6i After 5/21/07

NOTE: GB motors were not available with the Arrow (301-401HD) user weight selection until 1/26/04 when the TTHD GB motors covered all Arrow user weight limits STANDARD. NOTE: GB motors were not available with the Torque SP (301-351 TQHD) user weight selection until 1/26/04 when the user weight limit was raised to 400 Lbs.

Item #25a Warranty/Refurbished Motor - Date Application Reference Chart MKIV (Before 5/22/07)

NOTE: Part #'s 1153335E, 1153336E, 1153648E, 1153649E are currently not available. Refer to part #'s 1123235E Right or 1123234E Left as replacements. Additional hardware is not required. Motors include a Controller Gasket Connector Kit and instruction sheets.

Model Number and Side	Before 2/6/03	2/6/03-1/25/04 and (2/6/03-3/14/04 For VA Gov't Orders)	1/26/04-5/21/07 and (3/15/04-5/21/07 For VA Gov't Orders)
Storm Arrow	TRUTK (Non-Heavy Duty) Standard	TRUTK (Non-Heavy Duty) Standard	TTHD (Heavy Duty) Standard
-Right (Refurbished)	N/A	N/A	1123235E
-Right (Refurbished)	1115509	1115509	1153335E See Note(s) E, A1, A, A2, C
-Right (Refurbished) w/ Wheel Lock	N/A	N/A	1153648E See Note(s) E, B, A2, B1
-Left (Refurbished)	N/A	N/A	1123234E
-Left (Refurbished)	1115509	1115509	1153336E See Note(s) E, D, A, A1, A2
-Left (Refurbished) w/ Wheel Lock	N/A	N/A	1153649E See Note(s) E, B1, B, A2
Storm Arrow	N/A	TTHD (Heavy Duty) Optional	N/A
-Right (Refurbished)	N/A	1123235E	N/A
-Right (Refurbished)	N/A	1153335E See Note(s) E, A1, A, A2, C	N/A
-Right (Refurbished) w/ Wheel Lock	N/A	1153648E See Note(s) E, B1, B, A2	N/A
-Left (Refurbished)	N/A	1123234E	N/A
-Left (Refurbished)	N/A	1153336E See Note(s) A1, A, E, A2, D	N/A
-Left (Refurbished) w/ Wheel Lock	N/A	1153649E See Note(s) E, B1, A2, B	N/A
Storm RX	TRUTK (Non-Heavy Duty) Optional	TRUTK (Non-Heavy Duty) Optional	TRUTK (Heavy Duty) Optional
-Right (Refurbished)	N/A	N/A	1123235E
-Right (Refurbished)	1115509	1115509	1153335E See Note(s) E, A1, A, A2, C
-Right (Refurbished) w/ Wheel Lock	N/A	N/A	1153648E See Note(s) E, A2, B1, B
-Left (Refurbished)	N/A	N/A	1123234E
-Left (Refurbished)	1115509	1115509	1153336E See Note(s) E, D, A2, A1, A
-Left (Refurbished) w/ Wheel Lock	N/A	N/A	1153649E See Note(s) A2, E, B1, B
Torque SP	TRUTK (Non-Heavy Duty) Optional	TRUTK (Non-Heavy Duty) Optional	TRUTK (Heavy Duty) Optional

GB (TrueTrack) Heavy Duty Motors and Hardware

For Both MKIV Elec.'s Before 5/22/07 & MK6i After 5/21/07

NOTE: GB motors were not available with the Arrow (301-401HD) user weight selection until 1/26/04 when the TTHD GB motors covered all Arrow user weight limits STANDARD. NOTE: GB motors were not available with the Torque SP (301-351 TQHD) user weight selection until 1/26/04 when the user weight limit was raised to 400 Lbs.

Item #25a Warranty/Refurbished Motor - Date Application Reference Chart MKIV (Before 5/22/07)

NOTE: Part #'s 1153335E, 1153336E, 1153648E, 1153649E are currently not available. Refer to part #'s 1123235E Right or 1123234E Left as replacements. Additional hardware is not required. Motors include a Controller Gasket Connector Kit and instruction sheets.

Model Number and Side	Before 2/6/03	2/6/03-1/25/04 and (2/6/03-3/14/04 For VA Gov't Orders)	1/26/04-5/21/07 and (3/15/04-5/21/07 For VA Gov't Orders)
-Right (Refurbished)	N/A	N/A	1123235E
-Right (Refurbished)	1115509	1115509	1153335E See Note(s) E, A, A1, A2, C
-Right (Refurbished) w/ Wheel Lock	N/A	N/A	1153648E See Note(s) E, B1, B, A2
-Left (Refurbished)	N/A	N/A	1123234E
-Left (Refurbished)	1115509	1115509	1153336E See Note(s) A1, A, E, A2, D
-Left (Refurbished) w/ Wheel Lock	N/A	N/A	1153649E See Note(s) E, B1, A2, B

NOTE: A - Part #'s 1153335/6 and refurbished #'s are Kits including a GB HD Motor, Brake Lever Hardware and (Controller Gasket Connector kit). The brake release mechanism was revised 10/29/07 eliminating the torsion spring, adding a bellville washer and A1 - stop plate to limit travel of the brake lever to prevent permanent damage to the motor. The Controller Gasket Connector was introduced 10/26/07 and attaches to the controller motor cables. Instruction sheets included also.
 A2 - A Refurbished Motor is used for a warranty replacement
 B - Part #'s 1153648/9 and refurbished #'s are Kits including a GB HD Motor, Brake Lever Hardware, (Controller Gasket Connector kit) and
 B1 - a revised Wheel Lock with longer mounting screws. Revised Wheel Lock used for chairs made before 10/29/07 equipped with Wheel Locks. The new Stop Plate and revised Wheel Lock now share the same mounting holes on the Suspension Arm
 C - For chairs manufactured before 1/1/06 a RT. Suspension Arm Kit part #1153679 is required in addition to a motor assembly. Refer to the Suspension Arm Kits chart
 D - For chairs manufactured before 1/1/06 a LT. Suspension Arm Kit part #1153680 is required in addition to a motor assembly. Refer to the Suspension Arm Kits chart
 E - Part #'s 1153335E, 1153336E, 1153648E, 1153649E are currently not available. Refer to part #'s 1123235E Right or 1123234E Left as replacements. Additional hardware is not required. Motors include a Controller Gasket Connector Kit and instruction sheets.

NOTE: GB motors were not available with the Arrow (301-401HD) user weight selection until 1/26/04 when the TTHD GB motors covered all Arrow user weight limits STANDARD. NOTE: GB motors were not available with the Torque SP (301-351 TQHD) user weight selection until 1/26/04 when the user weight limit was raised to 400 Lbs.

GB (TrueTrack) Heavy Duty Motors and Hardware

For Both MKIV Elec.'s Before 5/22/07 & MK6i After 5/21/07

NOTE: GB motors were not available with the Arrow (301-401HD) user weight selection until 1/26/04 when the TTHD GB motors covered all Arrow user weight limits STANDARD. NOTE: GB motors were not available with the Torque SP (301-351 TQHD) user weight selection until 1/26/04 when the user weight limit was raised to 400 Lbs.

Item #25b New Motor - Date Application Reference Chart MK6i (After 5/21/07)

Model and Side	Part Number
Storm Arrow	Storm Arrow (Std.) (300 Lb. & 400 Lb. Weight Limits)
-Right	1153335 See Note(s) A1, A
-Right w/ Wheel Lock	1153648 See Note(s) B1, B
-Left	1153336 See Note(s) A1, A
-Left w/ Wheel Lock	1153649 See Note(s) B1, B
Storm RX	Storm RX (Optional) (400 Lb. Weight Limit)
-Right	1153335 See Note(s) A1, A
-Right w/ Wheel Lock	1153648 See Note(s) B1, B
-Left	1153336 See Note(s) A1, A
-Left w/ Wheel Lock	1153649 See Note(s) B1, B
Torque SP/SE	(Optional) (300 Lb. Weight Limit)
-Right	1153335 See Note(s) A1, A
-Right w/ Wheel Lock	1153648 See Note(s) B1, B
-Left	1153336 See Note(s) A1, A
-Left w/ Wheel Lock	1153649 See Note(s) B1, B
Torque 3	(Optional) (300 Lb. Weight Limit)
-Right	1153335 See Note(s) A1, A
-Left	1153336 See Note(s) A1, A

NOTE: A - Part #'s 1153335/6 and refurbished #'s are Kits including a GB HD Motor, Brake Lever Hardware and (Controller Gasket Connector kit). The brake release mechanism was revised 10/29/07 eliminating the torsion spring, adding a bellville washer and A1 - stop plate to limit travel of the brake lever to prevent permanent damage to the motor. The Controller Gasket Connector was introduced 10/26/07 and attaches to the controller motor cables. Instruction sheets included also.
 B - Part #'s 1153648/9 and refurbished #'s are Kits including a GB HD Motor, Brake Lever Hardware, (Controller Gasket Connector kit) and
 B1 - a revised Wheel Lock with longer mounting screws. Revised Wheel Lock used for chairs made before 10/29/07 equipped with Wheel Locks. The new Stop Plate and revised Wheel Lock now share the same mounting holes on the Suspension Arm

GB (TrueTrack) Heavy Duty Motors and Hardware

For Both MKIV Elec.'s Before 5/22/07 & MK6i After 5/21/07

NOTE: GB motors were not available with the Arrow (301-401HD) user weight selection until 1/26/04 when the TTHD GB motors covered all Arrow user weight limits STANDARD. **NOTE:** GB motors were not available with the Torque SP (301-351 TQHD) user weight selection until 1/26/04 when the user weight limit was raised to 400 Lbs.

Item #25c Warranty/Refurbished Motor - Date Application Reference Chart MK6i (After 5/21/07)

NOTE: Part #'s 1153335E, 1153336E, 1153648E, 1153649E are currently not available. Refer to part #'s 1123235E Right or 1123234E Left as replacements. Additional hardware is not required. Motors include a Controller Gasket Connector Kit and instruction sheets.

Model and Side	Part Number
Storm Arrow	Storm Arrow (Std.) (300 Lb. & 400 Lb. Weight Limits)
-Right (Refurbished)	1123235E
-Right (Refurbished)	1153335E <small>See Note(s) C, A2, A, A1</small>
-Right (Refurbished) w/ Wheel Lock	1153648E <small>See Note(s) C, A2, B, B1</small>
-Left (Refurbished)	1123234E
-Left (Refurbished)	1153336E <small>See Note(s) C, A1, A, A2</small>
-Left (Refurbished) w/ Wheel Lock	1153649E <small>See Note(s) C, A2, B1, B</small>
Storm RX	Storm RX (Optional) (400 Lb. Weight Limit)
-Right (Refurbished)	1123235E
-Right (Refurbished)	1153335E <small>See Note(s) C, A, A1, A2</small>
-Right (Refurbished) w/ Wheel Lock	1153648E <small>See Note(s) C, B, A2, B1</small>
-Left (Refurbished)	1123234E
-Left (Refurbished)	1153336E <small>See Note(s) C, A1, A, A2</small>
-Left (Refurbished) w/ Wheel Lock	1153649E <small>See Note(s) C, B1, A2, B</small>
Torque SP/SE	(Optional) (300 Lb. Weight Limit)
-Right (Refurbished)	1123235E
-Right (Refurbished)	1153335E <small>See Note(s) C, A1, A, A2</small>
-Right (Refurbished) w/ Wheel Lock	1153648E <small>See Note(s) C, B1, B, A2</small>
-Left (Refurbished)	1123234E
-Left (Refurbished)	1153336E <small>See Note(s) C, A, A1, A2</small>
-Left (Refurbished) w/ Wheel Lock	1153649E <small>See Note(s) C, B, B1, A2</small>
Torque 3	(Optional) (300 Lb. Weight Limit)
-Right (Refurbished)	1123235E
-Right (Refurbished)	1153335E <small>See Note(s) C, A, A1, A2</small>
-Left (Refurbished)	1123234E

GB (TrueTrack) Heavy Duty Motors and Hardware

For Both MKIV Elec.'s Before 5/22/07 & MK6i After 5/21/07

NOTE: GB motors were not available with the Arrow (301-401HD) user weight selection until 1/26/04 when the TTHD GB motors covered all Arrow user weight limits STANDARD. **NOTE:** GB motors were not available with the Torque SP (301-351 TQHD) user weight selection until 1/26/04 when the user weight limit was raised to 400 Lbs.

Item #25c Warranty/Refurbished Motor - Date Application Reference Chart MK6i (After 5/21/07)

NOTE: Part #'s 1153335E, 1153336E, 1153648E, 1153649E are currently not available. Refer to part #'s 1123235E Right or 1123234E Left as replacements. Additional hardware is not required. Motors include a Controller Gasket Connector Kit and instruction sheets.

Model and Side	Part Number
-Left (Refurbished)	1153336E See Note(s) C, A1, A2, A
<p>NOTE: A - Part #'s 1153335/6 and refurbished #'s are Kits including a GB HD Motor, Brake Lever Hardware and (Controller Gasket Connector kit). The brake release mechanism was revised 10/29/07 eliminating the torsion spring, adding a bellville washer and A1 - stop plate to limit travel of the brake lever to prevent permanent damage to the motor. The Controller Gasket Connector was introduced 10/26/07 and attaches to the controller motor cables. Instruction sheets included also.</p> <p>A2 - A Refurbished Motor is used for a warranty replacement</p> <p>B - Part #'s 1153648/9 and refurbished #'s are Kits including a GB HD Motor, Brake Lever Hardware, (Controller Gasket Connector kit) and</p> <p>B1 - a revised Wheel Lock with longer mounting screws. Revised Wheel Lock used for chairs made before 10/29/07 equipped with Wheel Locks. The new Stop Plate and revised Wheel Lock now share the same mounting holes on the Suspension Arm</p> <p>C - Part #'s 1153335E, 1153336E, 1153648E, 1153649E are currently not available. Refer to part #'s 1123235E Right or 1123234E Left as replacements. Additional hardware is not required. Motors include a Controller Gasket Connector Kit and instruction sheets.</p>	

GB (TrueTrack) Heavy Duty Motors and Hardware

For Both MKIV Elec.'s Before 5/22/07 & MK6i After 5/21/07

NOTE: GB motors were not available with the Arrow (301-401HD) user weight selection until 1/26/04 when the TTHD GB motors covered all Arrow user weight limits STANDARD. NOTE: GB motors were not available with the Torque SP (301-351 TQHD) user weight selection until 1/26/04 when the user weight limit was raised to 400 Lbs.

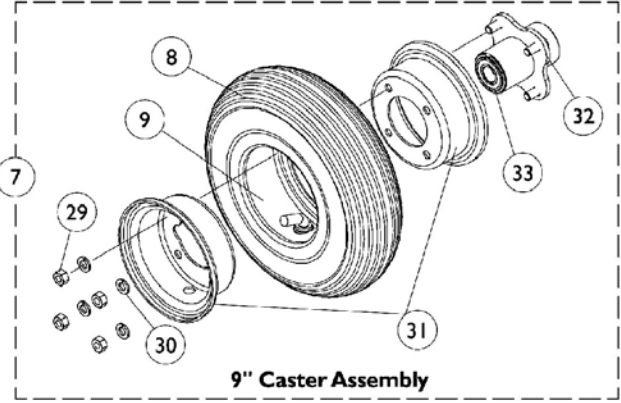
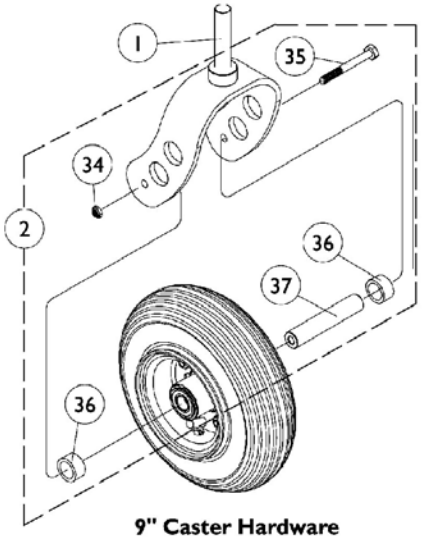
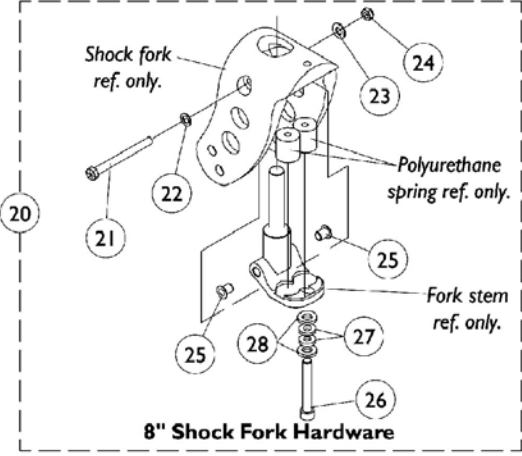
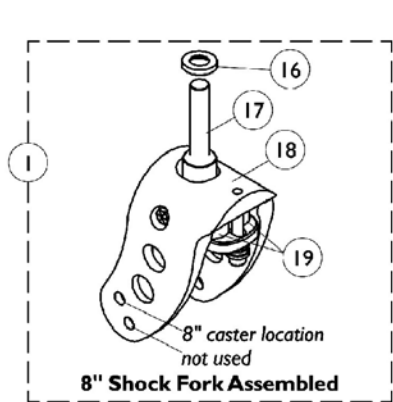
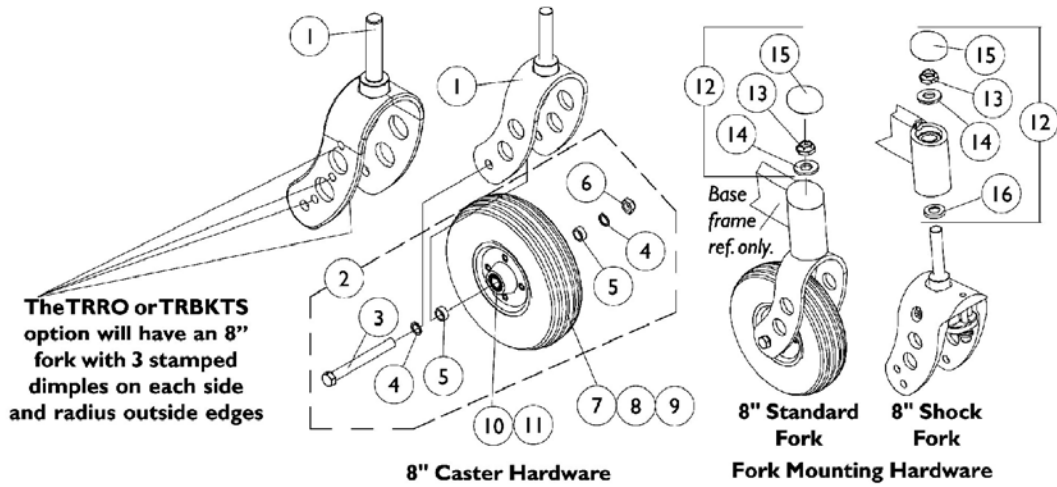
Suspension Arm and Hardware Kits

Suspension Arm Kits are ordered in "addition" to Motor Kit part numbers 1153335, 1153335E, 1153336 or 1153336E for chairs manufactured before 1/1/06

Side	Part Number
-Right	1153679 See Note(s) A
-Left	1153680 See Note(s) A

NOTE: A - Suspension Arm Kits will include the suspension arm, instruction sheet and mounting hardware for the motor, wheel, brake lever and fender. The new suspension arm will have the holes necessary to accept the brake lever stop plate

8" and 9" Caster Assemblies



8" and 9" Caster Assemblies

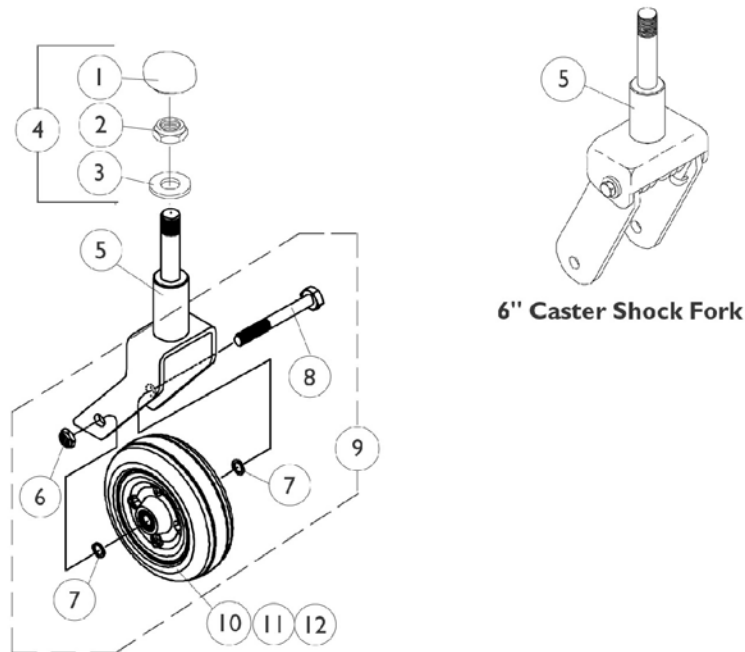
Item Number	Note	Part Number	Description	Quantity Per	
				Package	Assembly
1	H	1104409	Fork Assembly, Standard 8" Caster	1	1
1	H	1134471	Fork Assembly, Standard 8" Caster For TRRO/TRBKTS Option	1	1
1	H	1104410	Fork Assembly, Standard 9" Caster	1	1
1		1106423	Fork Assembly, Shock 8" Caster	1	1
2	A	1104419	Hardware, 8" Caster Standard/ Shock Fork (Per Side)	1	1
2	A	1039757	Hardware, Caster Standard Fork 9" (Per Side)	1	1
3		1070400	Screw, Hex Head (7/16-20 x 4")	1	1
4		7930329	Washer, Steel (15/32 x 5/8 x 3/64")	25	2
5		1101756	Spacer (7/16 x 5/8 x 1/4")	1	2
6		7930331	Locknut (7/16-20")	25	1
7		1101108	Wheel with Bearings, Semi-Pneumatic (8" x 2-1/4")	1	1
7		1002002	Wheel with Bearings - Pneumatic (8 x 2")	1	1
7	B	1101157	Wheel with Bearings, Pneumatic (9" x 2-3/4")	1	1
7	C	1101158	Wheel, Flat Free with Bearings (9 x 2-3/4")	1	1
8		40176X034	Tire, Pneumatic (8" x 2")	1	1
8		1101155	Tire, Pneumatic (9" x 2-3/4")	1	1
8		1101106	Tire, Semi-Pneumatic (8" x 2-1/4")	1	1
8	G	1101156	Tire with Foam Filled Insert (9" x 2-3/4")	1	1
9		1034942	Tube, Pneumatic Inner (8" x 2")	1	1
9		1027417	Tube, Pneumatic Inner (9" x 2-3/4")	1	1
10		1006049	Bearing (7/16")	1	2
11		1020592	Spacer, Bearing (7/16 x 5/8 x 1-3/4")	1	1
12	D	1104451	Hardware, Caster Fork Mounting	1	1
12	E	1106227	Hardware, Caster/ Shock Fork Mounting	1	1
13		1028550	Locknut (5/8-18)	1	1
14		1041444	Washer (5/8 x 1-5/16 x 1/8")	1	1
15		1101737	Cap	1	1
16		1106068	Spacer, Stem (5/8 x 1-1/8 x 3/16")	1	1
17		1104853	Stem, Shock Fork (6" and 8")	1	1
18		1104851	Fork, Shock (6" and 8")	1	1
19		1104879	Spring, Polyurethane Yellow	1	2
20		1104855	Hardware, Shock Fork (6" and 8")	1	1
21		1025705	Screw, Hex Head (5/16-24 x 3-1/4")	1	1
22		1016652	Washer (5/16 x 9/16 x 1/32")	1	2
23		1026032	Washer, Nylon (11/32 x 11/16 x 1/16")	1	1
24		1026906	Locknut (5/16-24)	1	1
25		1093978	Flange (5/16" I.D.)	1	2
26		1106223	Screw, Socket Head (3/8-16 x 2-1/2")	1	1
27		1106225	Washer (5/16 x 11/16 x 1/8")	1	2
28		1069548	Washer (7/16 x 13/16 x 1/8")	1	2
29		1024426	Nut, Hex (5/16-24)	1	4
30		1024442	Washer, Lock (5/16 x 9/16 x 1/16")	1	4

8" and 9" Caster Assemblies

Item Number	Note	Part Number	Description	Quantity Per	
				Package	Assembly
31	F	1013460	Rim, Outer/Inner Half with Hardware-10"	1	1
31	F	1025399	Rim, Outer/Inner half with Hardware-9"	1	1
32		1013466	Hub with Bearings	1	1
33		1015610	Bearing with Grip Ring (5/8")	1	2
34		7930330	Locknut (5/16-24)	25	1
35		1027730	Screw, Hex Head (5/16-24 x 5")	1	1
36		1028832	Spacer (5/8 x 7/8 x 1/2")	1	2
37		1028833	Reducer, Axle	1	1
NOTE: A - Includes items 3-6 B - Includes items 8-9 and 29-33 C - Includes items 8, 31, and 32 D - Includes items 13-15 E - Includes items 13-16 F - Includes items 29 and 30 G - Insert molded to tire H - 400 Lb. weight limit and under					

6" Caster Assembly

NOTE: 6" caster assemblies available On-Chair as of 11/19/01

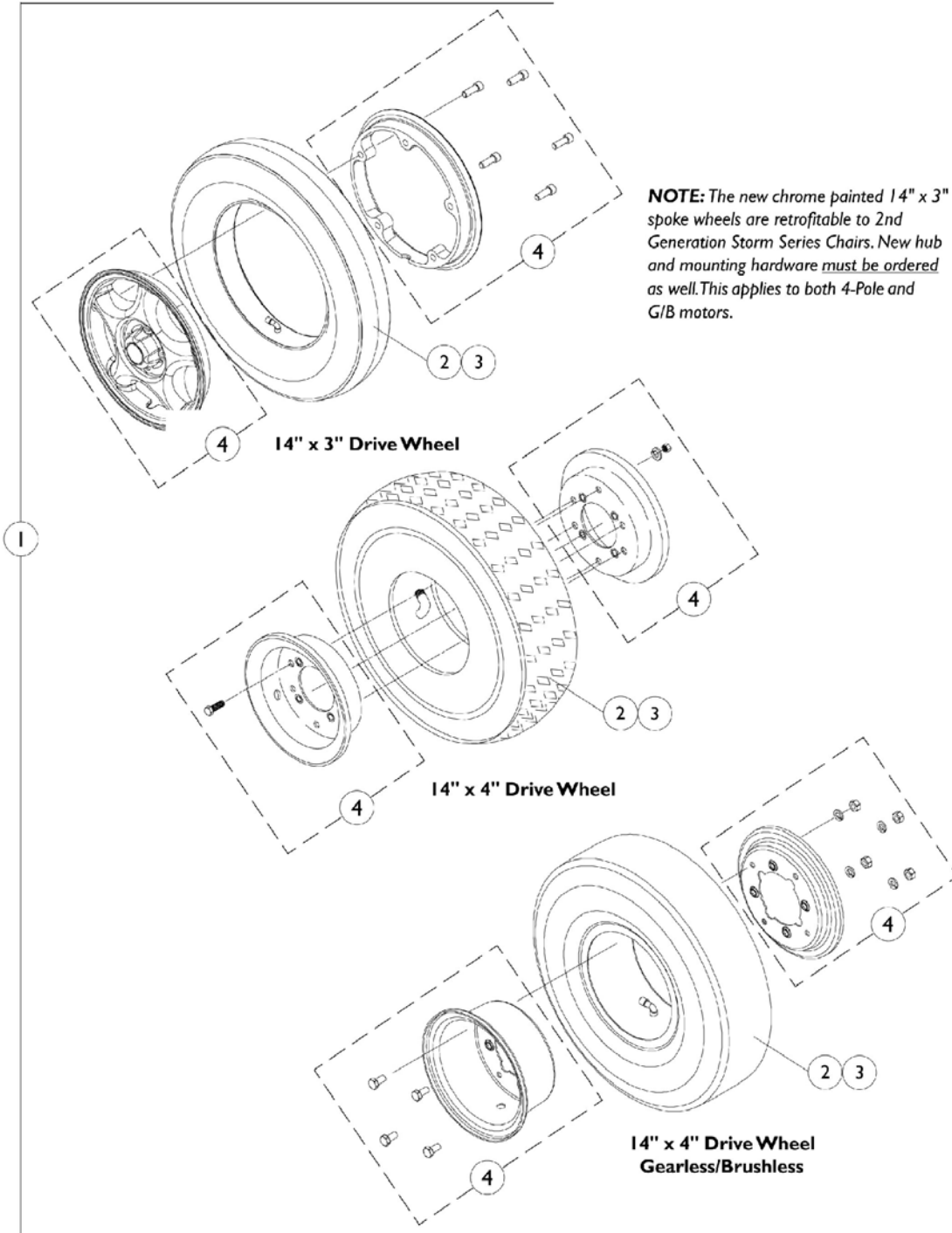


Item Number	Note	Part Number	Description	Quantity Per	
				Package	Assembly
1		1101737	Cap	1	1
2		1028550	Locknut (5/8-18)	1	1
3		1041444	Washer (5/8 x 1-5/16 x 1/8")	1	1
4	A	1104451	Hardware, Caster Fork Mounting	1	1
5	C,D	8881041458	Fork & Stem Assembly, 6" Caster	1	1
5	C,D	8881056379	Fork, Shock, 6" (Color)	1	1
6		7930331	Locknut (7/16-20")	25	1
7		7930329	Washer, Steel (15/32 x 5/8 x 3/64")	25	2
8		1025726	Screw, Hex Head (7/16-20 x 3-1/4")	1	1
9	B	1042489	Caster Axle Hardware (1 Pair)	2	1
9	B	1058890	Hardware, Caster, Shock Fork (Pair)	2	1
10	E	1072014-NLA	Wheel with Bearings - Semi Pneumatic (6" x 2")	1	1
10	F	1115179	Wheel with Bearings, 6 x 2" Urethane Deep Profile	1	1
10	F,G	1122066	Wheels with Bearings, 6 x 2" Urethane Deep Profile	2	1
11		1006049	Bearing (7/16")	1	2
12		1020592	Spacer, Bearing (7/16 x 5/8 x 1-3/4")	1	1

NOTE: A - Includes items 1-3
 B - Includes items 6-8
 C - Specify frame color when ordering. See page titled "Frame Finishes and Touch-Up Paints".
 D - 300 Lb. weight limit and under
 E - Service part No Longer Available 8/15/03. Due to product improvement, order (pair) part number 1122066 dated after 8/14/03 so each side matches. The deep profile caster has 2 tread grooves w/ round corners instead of 4 tread grooves w/ square corners.
 F - Service part after 8/14/03.
 G - Part number 1122066 is a pair number that can be used to replace part number 1072014 that was discontinued 8/15/03

Drive Wheels for Non-Free Wheel Hubs (4-Pole & GB Non-Heavy Duty Motors)

NOTE: New drive wheel mounting hardware is required when converting from (14" x 3") to (14" x 4") drive wheels.



Drive Wheels for Non-Free Wheel Hubs (4-Pole & GB Non-Heavy Duty Motors)

NOTE: New drive wheel mounting hardware is required when converting from (14" x 3") to (14" x 4") drive wheels.

Item #'s 1, 2 and 3 Wheel Components

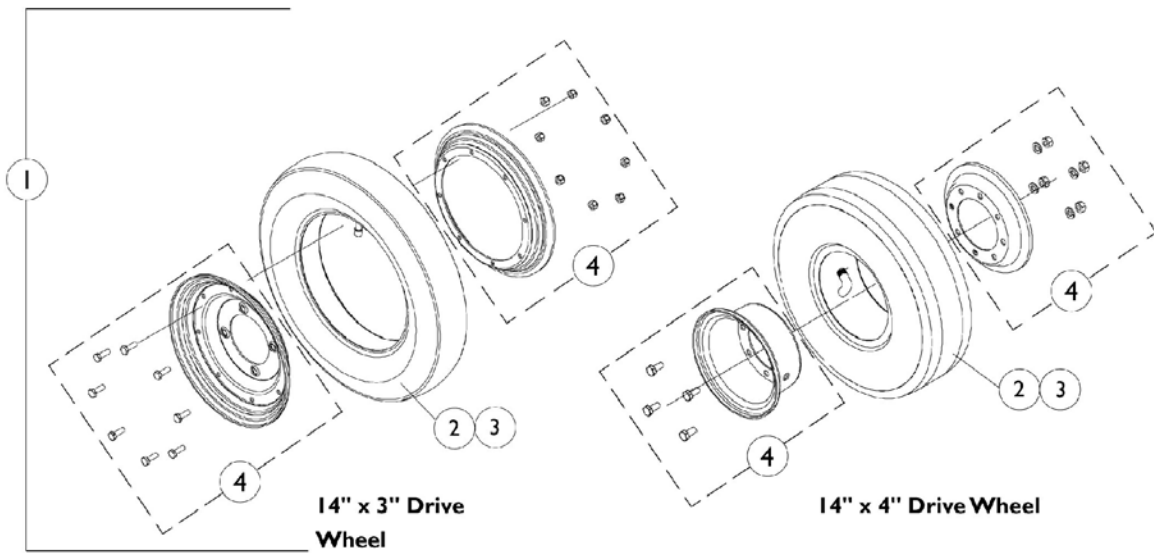
Wheel Size	Item #1 Wheel Complete Pneumatic	Item #1 Wheel Complete w/ Flat Free	Item #2 Tire	Item #2 Tire w/ Flat Free	Item #3 Tube
14" x 3" For 4-Pole & GB Motors	1104438	1104437	1039652	1101754	1039651
14" x 4" For 4-Pole Motors	1042476	1042477	1042474	1042478	1042475
14" x 4" For GB Motors See Note(s) A1, A	1079305	1079304	1042474	1042478	1042475

NOTE: A - The GB 14" x 4" wheel is used on Non-Heavy Duty GB motors only. The GB 14" x 4" wheel is no longer offered on-chair after 1/25/04 (3/14/04 for VA Government orders) and the GB Heavy Duty motors became the only GB motor choice - A1 - ON-Chair after 1/25/04 (3/14/04 for VA Government orders). See page titled "Drive Wheels For TrueTrack GB Heavy Duty TTHD Motors" for chairs manufactured after 1/25/04 (3/14/04 for VA Government orders).

Item Number	Note	Part Number	Description	Quantity Per	
				Package	Assembly
1-3		See Chart	#'s 1, 2 and 3 Drive Wheels for Non-Free Wheel Hubs	1	1
4	F	1104882	Kit, 8" Rim with Hardware (14 x 3" Wheel)	1	1
4	E	1042453	Rim, 6" with Hardware (14 x 4" Wheel)	1	1
4	B	1078246	Rim, 6" with Hardware (14 x 4" Wheel)	1	1
	C,D	1101094	Screw, Socket Head Cap w/ Patch (5/16-18 x 7/8")	1	5
	A,C	1024443	Screw, Hex Head (5/16-24 x 5/8")	1	6
	A,C	1024442	Washer, Lock (5/16 x 9/16 x 1/16")	1	6
	A,C	1024426	Nut, Hex (5/16-24)	1	6

NOTE: A - included in rim hardware part number 1042453 and (rim hardware part number 1078246 quantity 4 each)
 B - For GB motors only
 C - Not Shown
 D - included in rim hardware part number 1104882
 E - For 4-Pole Motors
 F - For 4-Pole and GB motors

Drive Wheels for Free Wheel Hubs (4-Pole Motors Only)



Item #'s 1, 2 and 3 Wheel Components

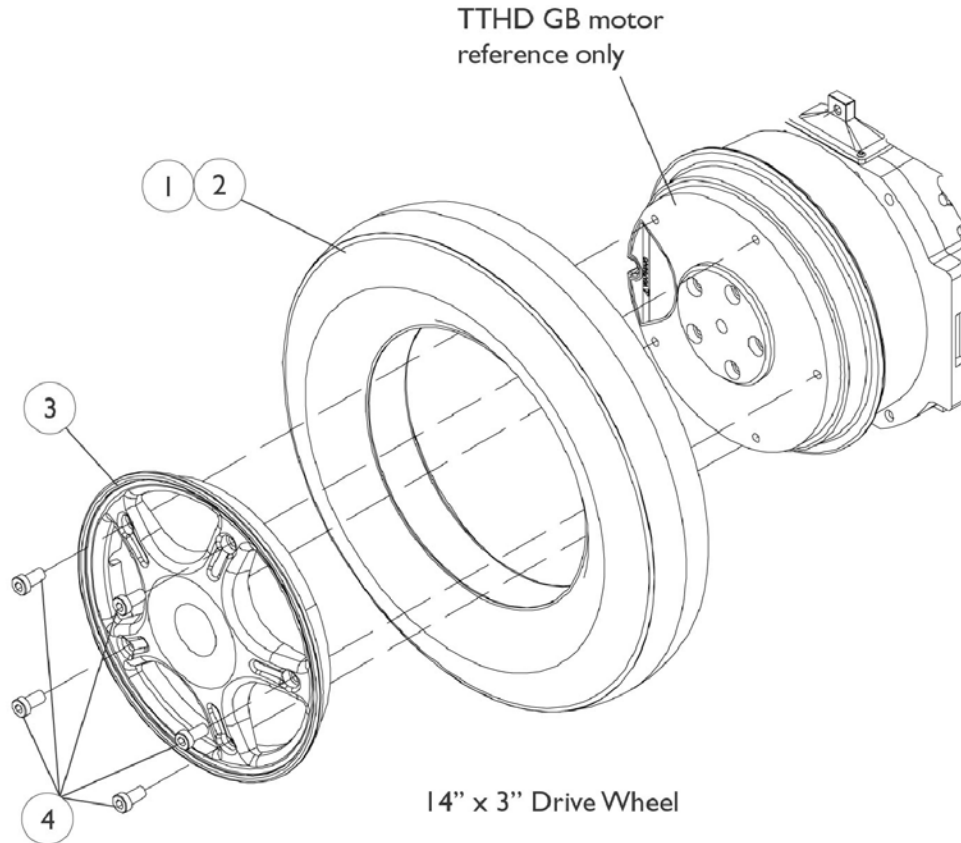
Wheel Size	Item #1 Wheel Complete Pneumatic	Item #1 Wheel Complete w/ Flat Free	Item #2 Tire	Item #2 Tire w/ Flat Free	Item #3 Tube
14" x 3"	1079298	1079301	1039652	1101754	1039651
14" x 4"	1079305	1079304	1042474	1042478	1042475

Drive Wheels for Free Wheel Hubs (4-Pole Motors Only)

Item Number	Note	Part Number	Description	Quantity Per	
				Package	Assembly
1-3		See Chart	Item #'s 1, 2 and 3 Drive Wheels for Free Wheel Hubs	1	1
4		1104889	Rim, 8" with Hardware (14 x 3" Wheel)	1	1
4		1078246	Rim, 6" with Hardware (14 x 4" Wheel)	1	1
	B,C	7930326	Screw, Hex Head (1/4-20 x 3/4")	25	8
	B,C	7930333	Locknut (1/4-20)	25	8
	A,B	1024443	Screw, Hex Head (5/16-24 x 5/8")	1	4
	A,B	1024442	Washer, Lock (5/16 x 9/16 x 1/16")	1	4
	A,B	1024426	Nut, Hex (5/16-24)	1	4
NOTE: A - Included in rim with hardware part number 1078246 B - Not Shown C - Included in rim with hardware part number 1104889					

Drive Wheels for GB TrueTrack Heavy Duty (TTHD) Motors

NOTE: Gearless/Brushless TrueTrack Heavy Duty (TTHD) motors were introduced and offered as an ON-chair option to Storm Arrow models from 2/6/03 thru 1/25/04 (3/14/04 for VA Government orders). On 1/26/04 (3/15/04 for VA Government orders) Gearless/Brushless TrueTrack Heavy Duty (TTHD) motors became standard on Storm Arrow and optional on Ranger X and Torque SP/SE & Torque 3 models.



Drive Wheels for GB TrueTrack Heavy Duty (TTHD) Motors

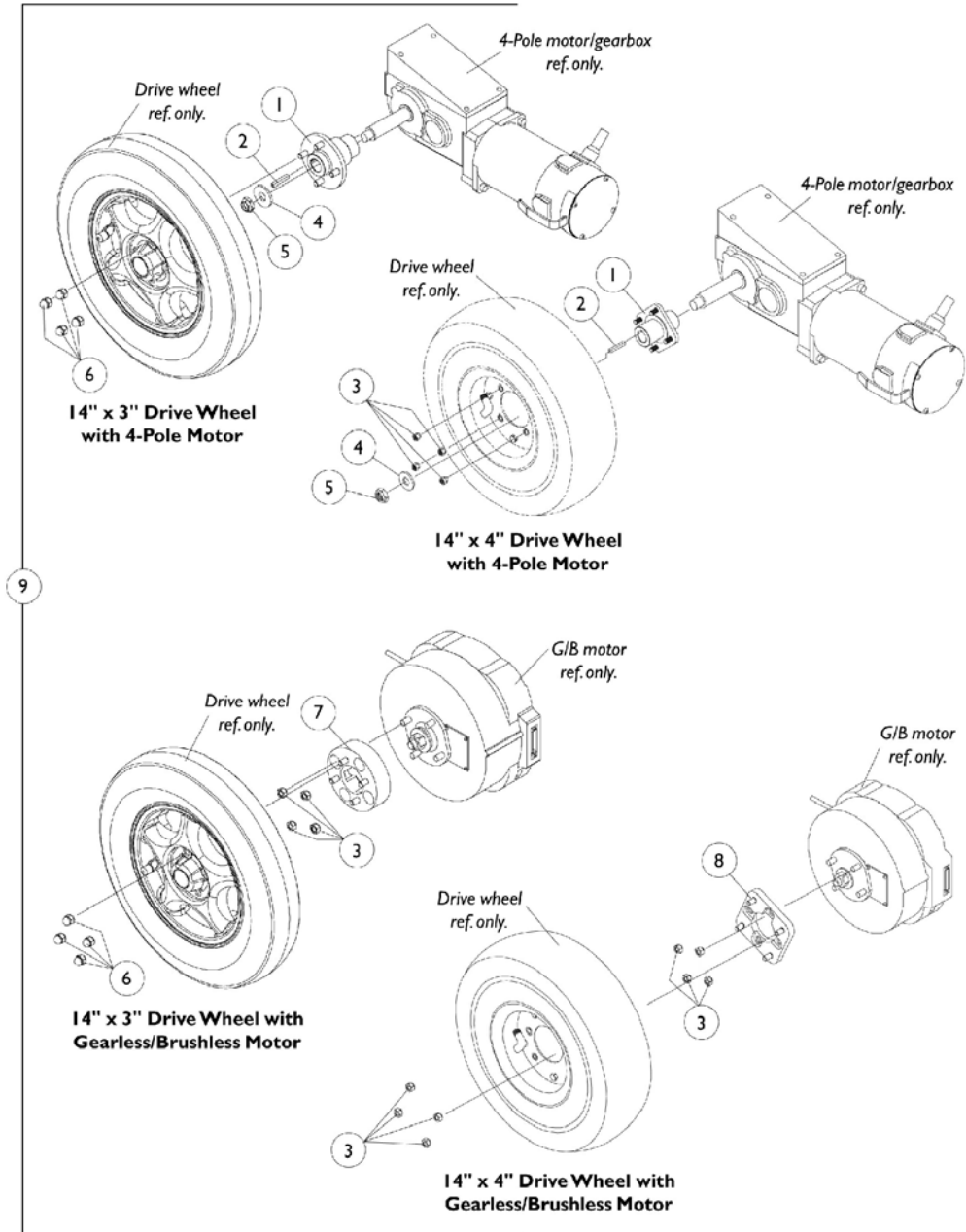
NOTE: Gearless/Brushless TrueTrack Heavy Duty (TTHD) motors were introduced and offered as an ON-chair option to Storm Arrow models from 2/6/03 thru 1/25/04 (3/14/04 for VA Government orders). On 1/26/04 (3/15/04 for VA Government orders) Gearless/Brushless TrueTrack Heavy Duty (TTHD) motors became standard on Storm Arrow and optional on Ranger X and Torque SP/SE & Torque 3 models.

Item Number	Note	Part Number	Description	Quantity Per	
				Package	Assembly
1		1118273	Tire with Instruction Sheet, 14" x 3"	1	1
1	B,B1	1118274	Tire with Flat Free and Instruction Sheet, 14" x 3"	1	1
2		1118275	Tube with Instruction Sheet, 14" x 3"	1	1
3	B,B1	1116701	Rim 8" with Instruction Sheet (For 14" x 3" Tire)	1	1
4	B,B1	1113320	Screw, Socket Head Cap (M8 x 1-1/4 x 16MM)	1	5
	A	1153683	Screw, Socket Head Cap (M8 x 1-1/4 x 25MM)	1	3
	A	1114830	Instruction Sheet, Rim and Tire Replacement	1	1

NOTE: A - Not Shown
 B - When ordering a new flat free tire, rim or 16MM wheel mounting screws item #4, it is recommended to order 3 ea. of part #1153683 25MM screws as well.
 B1 - The 25MM screws are inserted a 1/4" in every other mounting hole on the motor to compress the flat free and make it easier to install the 5 shorter 16MM screws.

Non-Free Wheel Hub Mount and Hardware (4-Pole & GB Non-Heavy Duty Motors)

NOTE: New drive wheel mounting hardware must be ordered when converting from (14" x 3") to (14" x 4") drive wheels.



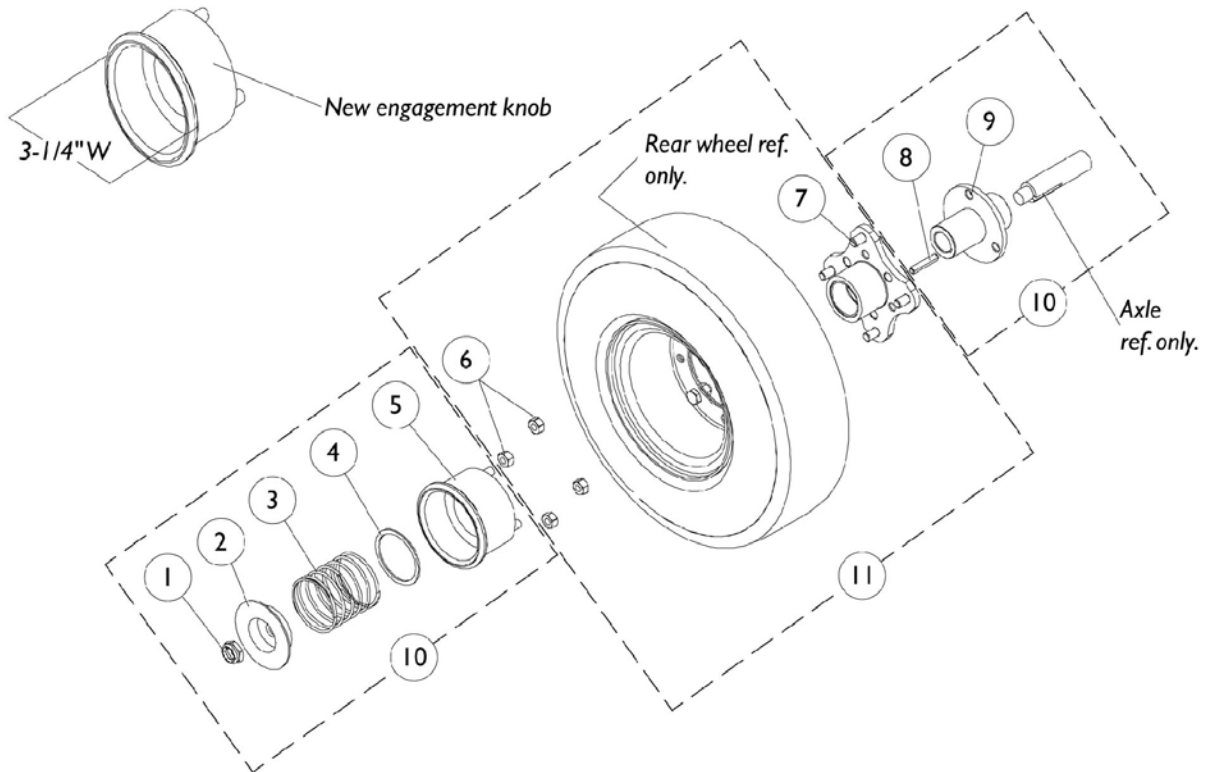
Non-Free Wheel Hub Mount and Hardware (4-Pole & GB Non-Heavy Duty Motors)

NOTE: New drive wheel mounting hardware must be ordered when converting from (14" x 3") to (14" x 4") drive wheels.

Item Number	Note	Part Number	Description	Quantity Per	
				Package	Assembly
1		1100574	Wheel Hub, 4-Pole Motor/ Gearbox (14" x 3" Wheel)	1	1
1		1063339	Wheel Hub (14 x 4" Wheel)	1	1
2		1000180	Key (3/16 x 1-1/4")	1	1
3	E	1024444	Locknut (5/16-24)	1	1
4		1036933	Washer (1/2 x 1-9/32 x 1/8")	1	1
5		1001979	Locknut (1/2-20)	1	1
6		1100580	Nut, Beveled Hex (5/16-24)	1	1
7		1100579	Spacer, G/ B Motor	1	1
8		1078242	Adapter Plate with Studs	1	1
9	A,F	1104844	Hardware, Drive Wheel Mounting	1	1
9	B,G	1064355	Hardware, Wheel Hub and Drive Wheel Mounting	1	1
9	C,H	1104843	Hardware, Drive Wheel Mounting	1	1
9	D,I	1079258	Hardware, Wheel Hub and Drive Wheel Mounting (4" Tire)	1	1
<p>NOTE: A - Includes items 1-2 and 4-6 B - Includes items 1-5 C - Includes items 3, 6 and 7 D - Includes items 3 and 8 E - Gearless/Brushless 14" x 4" drive wheels use a quantity of 8 beveled hex nuts. F - For 4-pole motor/gearbox with 14" x 3" wheel G - For 4-pole motor/gearbox with 14" x 4" wheel H - For G/B motor with 14" x 3" wheel I - For G/B motor with 14" x 4" wheel</p>					

Free Wheel Hub Mount and Hardware (4-Pole Motors Only)

NOTE: To change a Non-Free Wheel Hub to a Free Wheeling Hub, see Free Wheel Hub Kits page.



Item Number	Note	Part Number	Description	Quantity Per	
				Package	Assembly
1		7930302	Locknut (1/2-20)	25	1
2		1078090	Cup, Washer	1	1
3		1079002	Spring, Compression	1	1
4		1079001	Washer, Flat (1-13/16 x 2-1/8 x 1/16")	1	1
5		1077022	Knob, Engagement	1	1
6		1024426	Nut, Hex (5/16-24)	1	4
7		1077023	Hub Assembly	1	1
8		1000180	Key (3/16 x 1-1/4")	1	1
9		1077021	Sleeve, Axle	1	1
10		1079004	Free Wheel Hub Assembly	1	1
11		1081358	Drive Wheel Assembly, Pneumatic w/ Hub (14 x 3")	1	1
11		1081359	Drive Wheel Assembly, Flat Free w/ Hub (14 x 3")	1	1
11		1081362	Drive Wheel Assembly, Pneumatic with Hub (14 x 4")	1	1
11		1081363	Drive Wheel Assembly, Flat Free with Hub (14 x 4")	1	1

Free Wheel Hub Kits (4-Pole Motors Only)

NOTE: Use kit numbers below to change Non-Free Wheel Hubs to Free Wheeling Hubs.

NOTE: All free wheel hub kits include items 2-4.

Free Wheel Hub Kit For (14" x 3" Wheel, Pneumatic)

Item Number	Part Number	Description	Quantity
1.	1079640	Free Wheel Hub Kit 14" x 3" Wheel, Pneumatic	1
2.	1079004	Free Wheel Hub Assembly	2
3.	1079295	Instruction Sheet	1
4.	1081358	Wheel Assembly w/ Hub, 14" x 3" Pneumatic	2

Free Wheel Hub Kit For (14" x 3" Wheel w/ Flat Free)

Item Number	Part Number	Description	Quantity
1.	1079641	Free Wheel Hub Kit 14" x 3" Wheel w/ Flat Free	1
2.	1079004	Free Wheel Hub Assembly	2
3.	1079295	Instruction Sheet	1
4.	1081359	Wheel Assembly w/ Hub, 14" x 3" w/ Flat Free	2

Free Wheel Hub Kits (4-Pole Motors Only)

NOTE: Use kit numbers below to change Non-Free Wheel Hubs to Free Wheeling Hubs.

NOTE: All free wheel hub kits include items 2-4.

Free Wheel Hub Kit For (14" x 4" Wheel, Pneumatic)

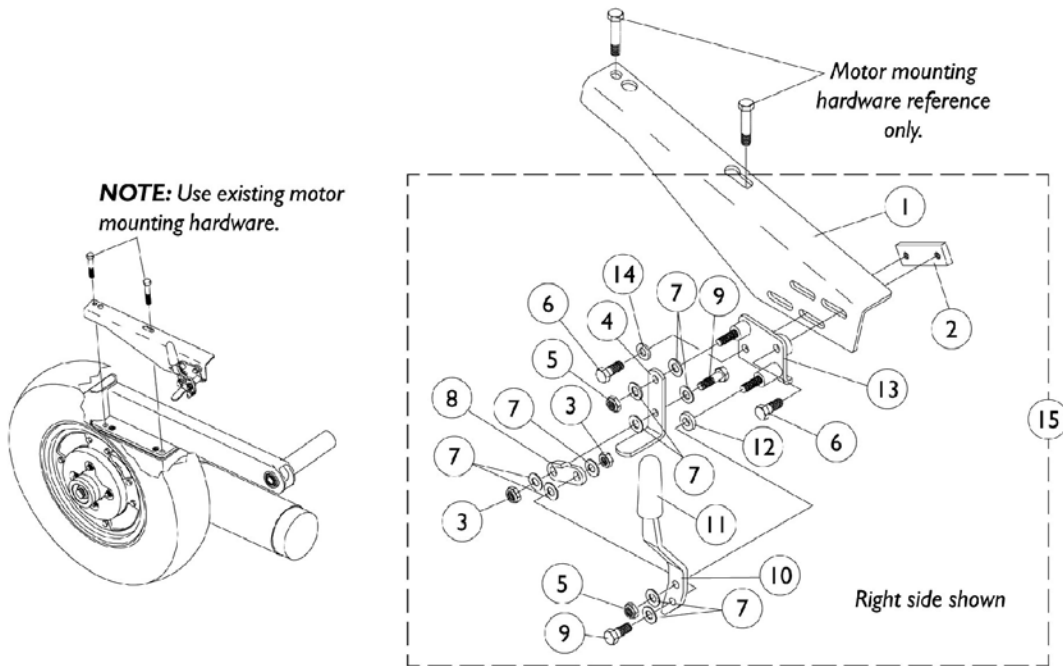
Item Number	Part Number	Description	Quantity
1.	1079644	Free Wheel Hub Kit 14" x 4" Wheel, Pneumatic	1
2.	1079004	Free Wheel Hub Assembly	2
3.	1079295	Instruction Sheet	1
4.	1081362	Wheel Assembly w/ Hub, 14" x 4" Pneumatic	2

Free Wheel Hub Kit For (14" x 4" Wheel w/ Flat Free)

Item Number	Part Number	Description	Quantity
1.	1079645	Free Wheel Hub Kit 14" x 4" Wheel, w/ Flat Free	1
2.	1079004	Free Wheel Hub Assembly	2
3.	1079295	Instruction Sheet	1
4.	1081363	Wheel Assembly w/ Hub, 14" x 4" w/ Flat Free	2

Wheel Lock Assembly

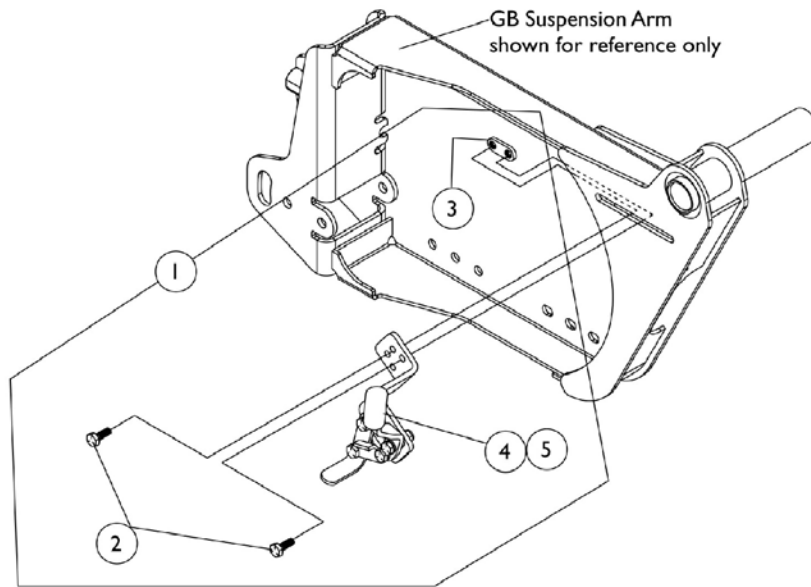
4-Pole Motors



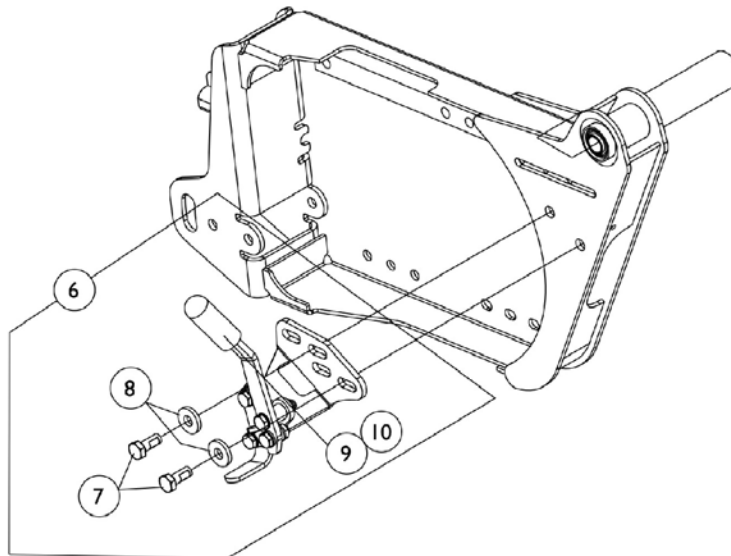
Item Number	Note	Part Number	Description	Quantity Per	
				Package	Assembly
1		1054510	Bracket, Wheel Lock Mount, Right	1	1
1		1054512	Bracket, Wheel Lock Mount, Left	1	1
2		1054508	Link, Inside	1	1
3		7930334	Locknut (1/4-28)	25	2
4		1031833	Shoe, Wheel Lock	1	1
5		7930323	Package, Locknut (1/4-20)	25	2
6		7930326	Screw, Hex Head (1/4-20 x 3/4")	25	2
7		1026033	Washer, Nylon (1/4 x 1/2 x 1/16")	1	9
8		1018733	Link	1	1
9		1028687	Screw, Hex Head (1/4-28 x 3/4")	1	2
10		1021408	Handle, Wheel Lock -Right	1	1
10		1021409	Handle, Wheel Lock -Left	1	1
11		47376X024	Tip, Rubber Wheel Lock Handle, Black	1	1
12		1026105	Spacer, Nylon (1/4 x 7/16 x 1/8")	1	1
13		1054513	Plate, Wheel Lock Base, Right	1	1
13		1054514	Plate, Wheel Lock Base, Left	1	1
14		1026907	Washer (1/4 x 1/2 x 1/16")	1	1
15		1054515	Wheel Lock Assembly, Right	1	1
15		1054516	Wheel Lock Assembly, Left	1	1

Wheel Lock Assembly

Gearless/Brushless



Wheel Lock Assembly for Non-Heavy Duty GB motors offered On-Chair thru 1/25/04. After 1/25/04 TTHD TrueTrack Heavy Duty GB motors became the only On-Chair GB motor choice. Due to wheel lock interference with the brake lever, wheel lock assemblies were not offered On-Chair for Heavy Duty GB motors until 1/1/06. See wheel locks shown below.



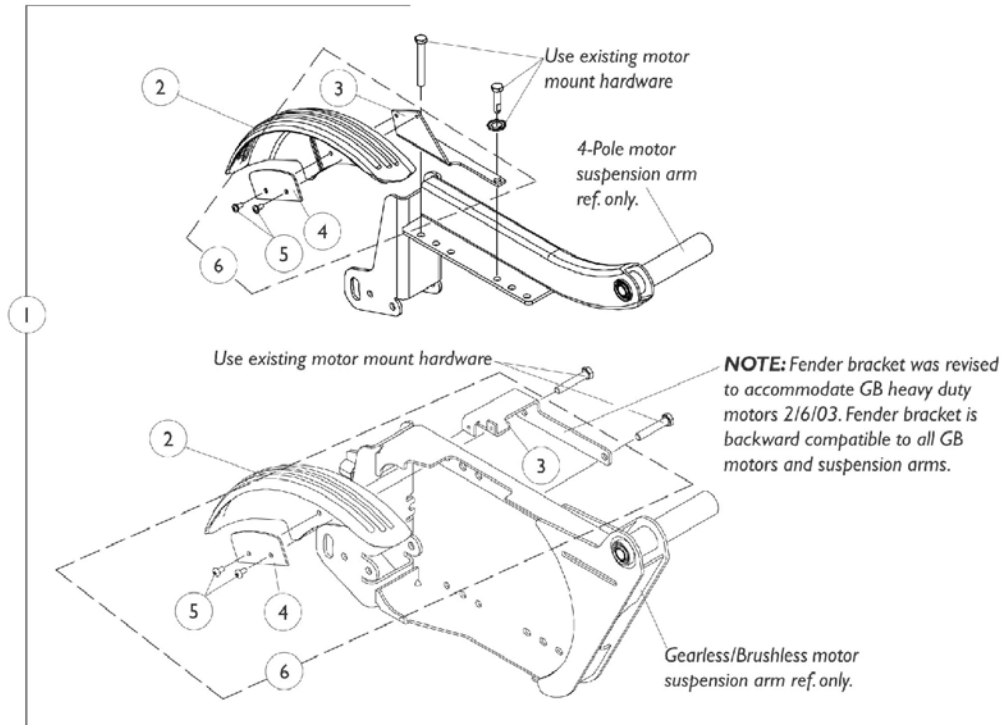
Wheel Lock Assembly introduced on 1/1/06 to be used for TTHD TrueTrack Heavy Duty GB motors.

Wheel Lock Assembly Gearless/Brushless

Item Number	Note	Part Number	Description	Quantity Per	
				Package	Assembly
1	A	1079252	Wheel Lock Assembly with Mounting Hardware - Right	1	1
1	A	1079253	Wheel Lock Assembly with Mounting Hardware - Left	1	1
2		1045267	Screw, Hex Head (1/4-20 x 3/4")	1	2
3		1078199	Nut	1	2
4		1079266	Wheel Lock Assembly, (GB) - Right	1	1
4		1079267	Wheel Lock Assembly, (GB) - Left	1	1
5		1136024	Package, Rubber Tips, Wheel Lock Handle, Black	10	1
6	B,C	1136022R	Kit, Wheel Lock Assembly with Mounting Hardware - Right	1	1
7			Wheel Lock Assembly, (GB HD) - Right	1	1
8			Washer, Flat (21/64 x 53/64 x 7/64")	1	2
9			Screw, Hex Head Cap with Patch (5/16-18 x 1")	1	2
6	B,C	1136023L	Kit, Wheel Lock Assembly with Mounting Hardware - Left	1	1
7			Wheel Lock Assembly, (GB HD) - Left	1	1
8			Washer, Flat (21/64 x 53/64 x 7/64")	1	2
9			Screw, Hex Head Cap with Patch (5/16-18 x 1")	1	2
10		1136024	Package, Rubber Tips, Wheel Lock Handle, Black	10	1

NOTE: A - Includes items 2-4 and 1 ea.of item 5 Wheel Lock Rubber Tip
 B - Includes items 7-9 and 1 ea.of item 10 Wheel Lock Rubber Tip
 C - Wheel Lock was revised and mounting screw was lengthened 10/29/07 to accommodate the new Stop Plate added for the GB HD Motor braking mechanism. The Wheel Lock Assembly Kit can retrofit to all GB HD Motor equipped models in the field

Fender Assembly



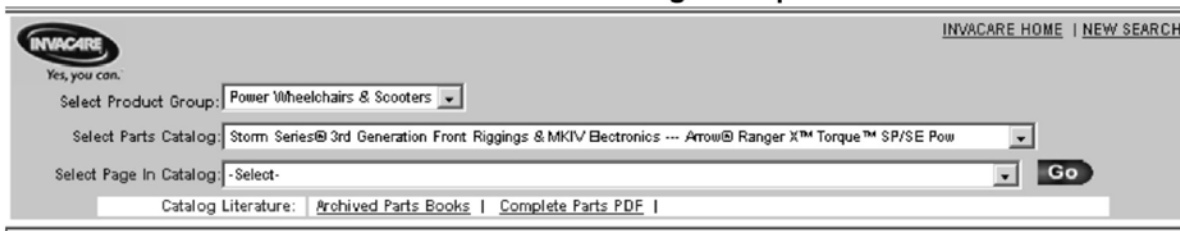
Item Number	Note	Part Number	Description	Quantity Per	
				Package	Assembly
1	A	1104860	Fender Assembly Kit w/ Instruction Sheet for 4-Pole Motor Suspension Arm	2	1
1	A	1104861	Fender Assembly Kit w/ Instruction Sheet for G/ B Motor Suspension Arm	2	1
2		1101718	Fender (Black)	1	2
3		1104411	Bracket, Fender Mounting, Black - Right (4-Pole Motor)	1	1
3		1104412	Bracket, Fender Mounting, Black - Left (4-Pole Motor)	1	1
3		1115914	Bracket, Fender Mounting, Black - Right (GB Motor)	1	1
3		1115915	Bracket, Fender Mounting, Black - Left (GB Motor)	1	1
4		1105556	Spacer, Fender	1	2
5		1022597	Screw, Phillips Pan Head Tap (#10-32 x 3/8")	1	4
6	B	1104806	Hardware, Fender Mounting for 4-Pole Motor Suspension Arm	2	1
6	B	1104807	Hardware, Fender Mounting for G/ B Motor Suspension Arm	2	1
	C	1104908	Instruction Sheet, Fender Assembly	1	1
NOTE: A - Includes items 2-5 B - Includes items 3-5 C - Not Shown					

MKIV Electronics

If you are looking for **MKIV Electronics** in the Storm Series® Arrow®, Ranger X™ and Torque™ SP/SE/3 3rd Generation Parts Catalog,
The parts catalog information is now divided into three separate catalogs.

Web Page

The MKIV Electronics information can be found on the Invacare web page by selecting “Storm Series® 3rd Generation Front Riggings & MKIV Electronics” in the “Select Parts Catalog” drop down menu



The screenshot shows the Invacare website's navigation area. At the top left is the Invacare logo with the tagline "Yes, you can." At the top right are links for "INVACARE HOME" and "NEW SEARCH". Below the logo is a "Select Product Group:" dropdown menu with "Power Wheelchairs & Scooters" selected. Underneath is a "Select Parts Catalog:" dropdown menu with "Storm Series® 3rd Generation Front Riggings & MKIV Electronics --- Arrow® Ranger X™ Torque™ SP/SE Pow" selected. Below that is a "Select Page In Catalog:" dropdown menu with "-Select-" selected. To the right of this menu is a "Go" button. At the bottom of the form is a "Catalog Literature:" section with links for "Archived Parts Books" and "Complete Parts PDF".

Printed Catalog

The MKIV Electronics information can be found in printed copy at our Literature Fulfillment Center listed under form # 06-100 and titled “Storm Series® 3rd Generation Front Riggings & MKIV

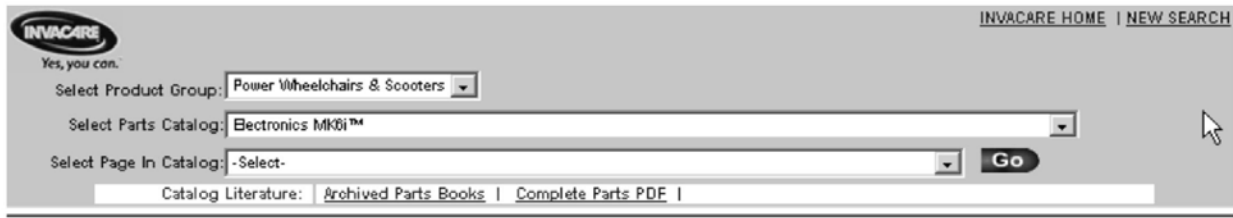
MK6i Electronics

If you are looking for **MK6i™ Electronics** introduced to the Storm Series® Arrow®, Ranger X™ and Torque™ SP/SE/3 3rd Generation on or about 10/9/06

The parts catalog information is now divided into two separate catalogs.

Web Page

The MK6i™ Electronics information can be found on the Invacare web page by selecting “Electronics MK6i™” in the “Select Parts Catalog” drop down menu.

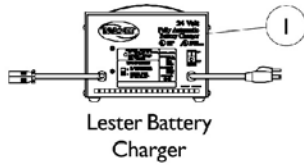


The screenshot shows the Invacare website's navigation interface. At the top left is the Invacare logo with the tagline "Yes, you can." and links for "INVACARE HOME" and "NEW SEARCH". Below the logo are three dropdown menus: "Select Product Group:" with "Power Wheelchairs & Scooters" selected, "Select Parts Catalog:" with "Electronics MK6i™" selected, and "Select Page In Catalog:" with "-Select-" selected. A "Go" button is located to the right of the third dropdown. At the bottom of the interface, there is a "Catalog Literature:" section with links for "Archived Parts Books" and "Complete Parts PDF".

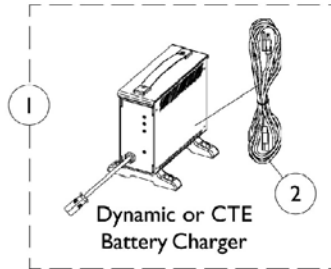
Printed Catalog

The MK6i™ Electronics information can be found in printed copy at our Literature Fulfillment Center listed under form # 06-110 and titled “MK6i™ Electronics”.

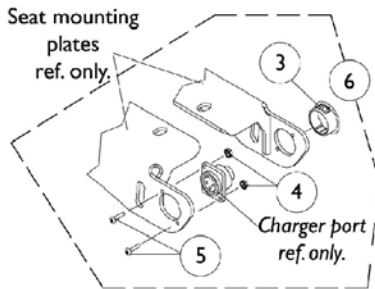
Battery Chargers and MKIV Harnesses



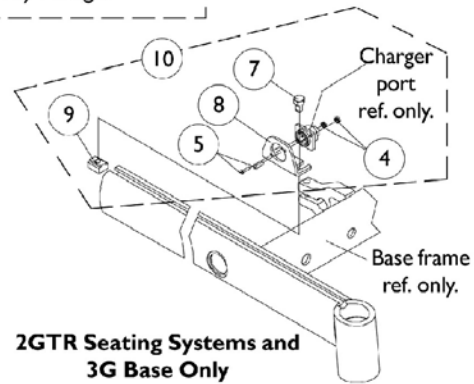
Lester Battery
Charger



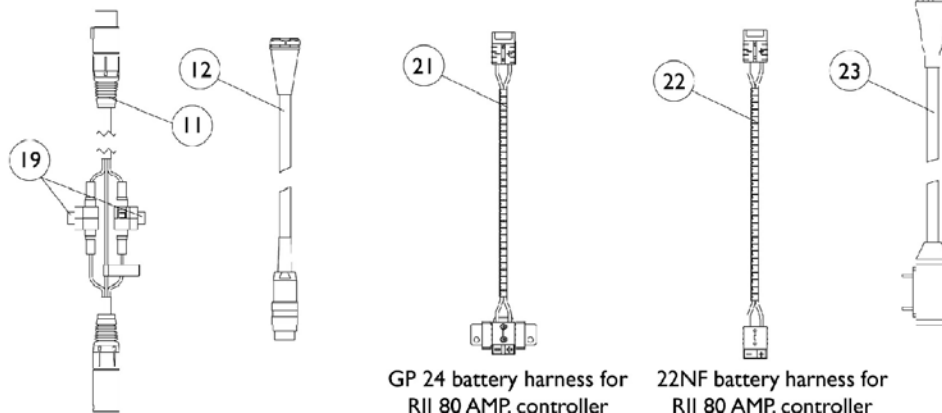
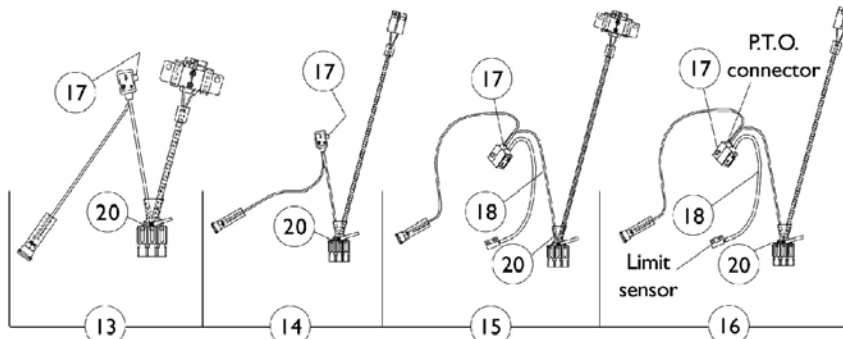
Dynamic or CTE
Battery Charger



A.S.B.A. Seat and Captain Seat
Charger Port Mounting



2GTR Seating Systems and
3G Base Only
Charger Port Mounting



GP 24 battery harness for
R11 80 AMP. controller

22NF battery harness for
R11 80 AMP. controller

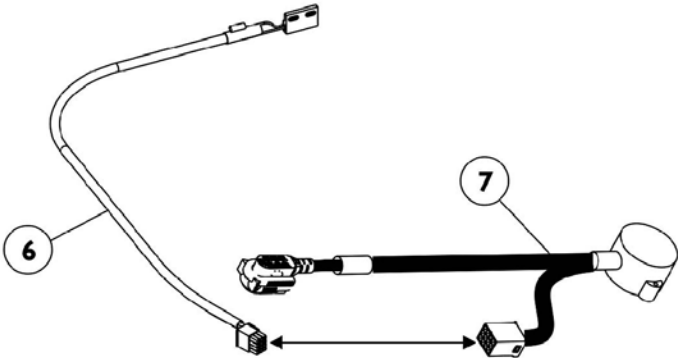
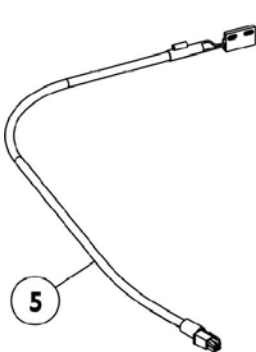
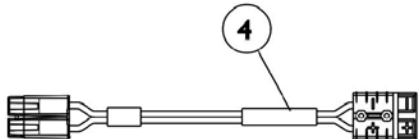
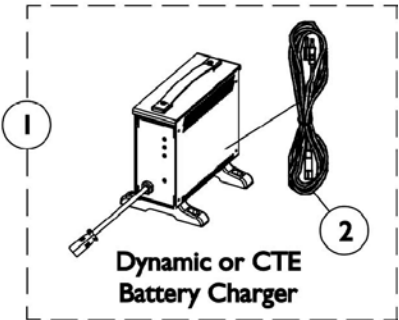
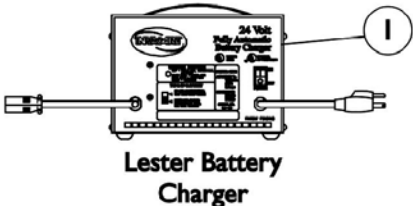
Battery Chargers and MKIV Harnesses

Item Number	Note	Part Number	Description	Quantity Per	
				Package	Assembly
1	A	1053161	Battery Charger, 8 Amp. 115vac (Off Board) Dual Mode Round Plug, Lester	1	1
1		1085678-NLA	Battery Charger, 8 Amp. 115vac (Off Board) Dual Mode Round Plug w/ AC Power Line Cord, Dynamic	1	1
1	O,O1	1123249	Battery Charger, 8 Amp. 115vac (Off Board) Single Mode Round Plug w/ AC Power Line Cord, CTE Corp.	1	1
2		1089627	Cord, AC Power Line 115vac, 2-prong - Off Board (11'6"L)	1	1
3		1104803	Plug Button, Black (1")	1	1
4		P0870X000	Nut, Hex Keps (#4-40)	1	2
5		7930318	Screw, Phillips Pan Head (#4-40 x 1/2")	25	2
6	D	1104864	Hardware, Charger Port Mounting	1	1
7		1061922	Screw, Hex Head Cap w/ Patch (5/16-18 x 1/2")	1	1
8		1070430	Bracket, Charger Connector, Black	1	1
9		1069724	T-Nut (5/16-18)	1	1
10	E	1104865	Hardware, Charger Port Mounting	1	1
11		1083929	Cable, Charger Extension (24" Long Round Plug)	1	1
12	B	1092912	Programmer Extension Cable Assembly (18" Long)	1	1
13	G,K	1092314	Wiring Harness w/ Black Battery Connector, Round Plug, GP24 Dual Battery Boxes	1	1
13	L,M	1124821	Wiring Harness w/ Red Battery Connector, Round Plug, GP24 Dual Battery Boxes	1	1
14	G	1092306	Wiring Harness, Round Plug, 22NF Single Battery Box	1	1
15	H,N	1095265	Wiring Harness, Round Plug, GP24 Dual Battery Boxes	1	1
16	H	1095266	Wiring Harness, Round Plug, 22NF Single Battery Box	1	1
17		1090117	Fuse, 15 Amp. (Buss Mini ATM-15)	1	1
18	C	1092913	Cable, Drive Lockout Sensor	1	1
19	I	1098892	Fuse, 15 Amp. (Buss ATC-15)	1	1
19	J	1090117	Fuse, 15 Amp. (Buss Mini ATM-15)	1	2
20	I	1101099	Fuse, 20 Amp. (Buss ATC-20)	1	1
20	J	1119230	Fuse, 20 Amp. (Buss Mini ATM-20)	1	1
21		1109509	Harness, Battery (GP24)	1	1
22		1107296	Harness, Battery (22NF)	1	1
23		1098905	Cable Assembly, 24 Volt, Anderson/P.T.O.	1	1
	F	1095502	Package, Cable Ties (11-1/2")	1	1
	F	1108970	Cable Ties (3-7/8" Long)	1	1
	F	1090357	Wrap, Slit Wire Harness (1/2" O.D.) (36" Long Cut To Length)	1	1

Battery Chargers and MKIV Harnesses

NOTE: A - On 7/18/01 the Lester 8 amp. battery charger was introduced to 3G Storm Series chairs.
B - Used only when a 2GTR powered seating systems are ordered.
C - For manual recliners and high back captain seats.
D - Includes items 3-5
E - Includes items 4, 5, 7-9
F - Not Shown
G - For A.S.B.A. non-recliner, all powered seating systems and high back semi recline captain seats
H - For A.S.B.A. manual recliner and high back full recline captain seats
I - Before 4/1/03
J - After 3/31/03
K - For all 4-pole motors and all GB non-heavy duty and (GB heavy duty TTHD motors before 1/26/04)
L - For GB Heavy Duty TTHD motors after 1/25/04 only. GB Non-Heavy Duty motors no longer offered after 1/25/04.
M - For A.S.B.A. manual recliner and high back full recline captain seats, item 18 sensor cable must be ordered as well.
N - For models equipped with GB heavy duty motors after 1/25/04, order item 13 wire harness part number 1124821 and item 18 sensor cable part number 1092913.
O - CTE charger introduced and standard on-chair 4/1/04. Used on Gel Cell or AGM (Absorbed Glass Mat) batteries. For wet cell batteries refer to the Lester charger.
O1 - CTE charger looks exactly the same as Dynamic's charger except for the company name that is silk screened on the narrow side panel, where the charger plug is (hard wired) attached. Serial number starts with 04A00000001.

Battery Chargers, MK6i Battery Cables and Sensor Cables



Battery Chargers, MK6i Battery Cables and Sensor Cables

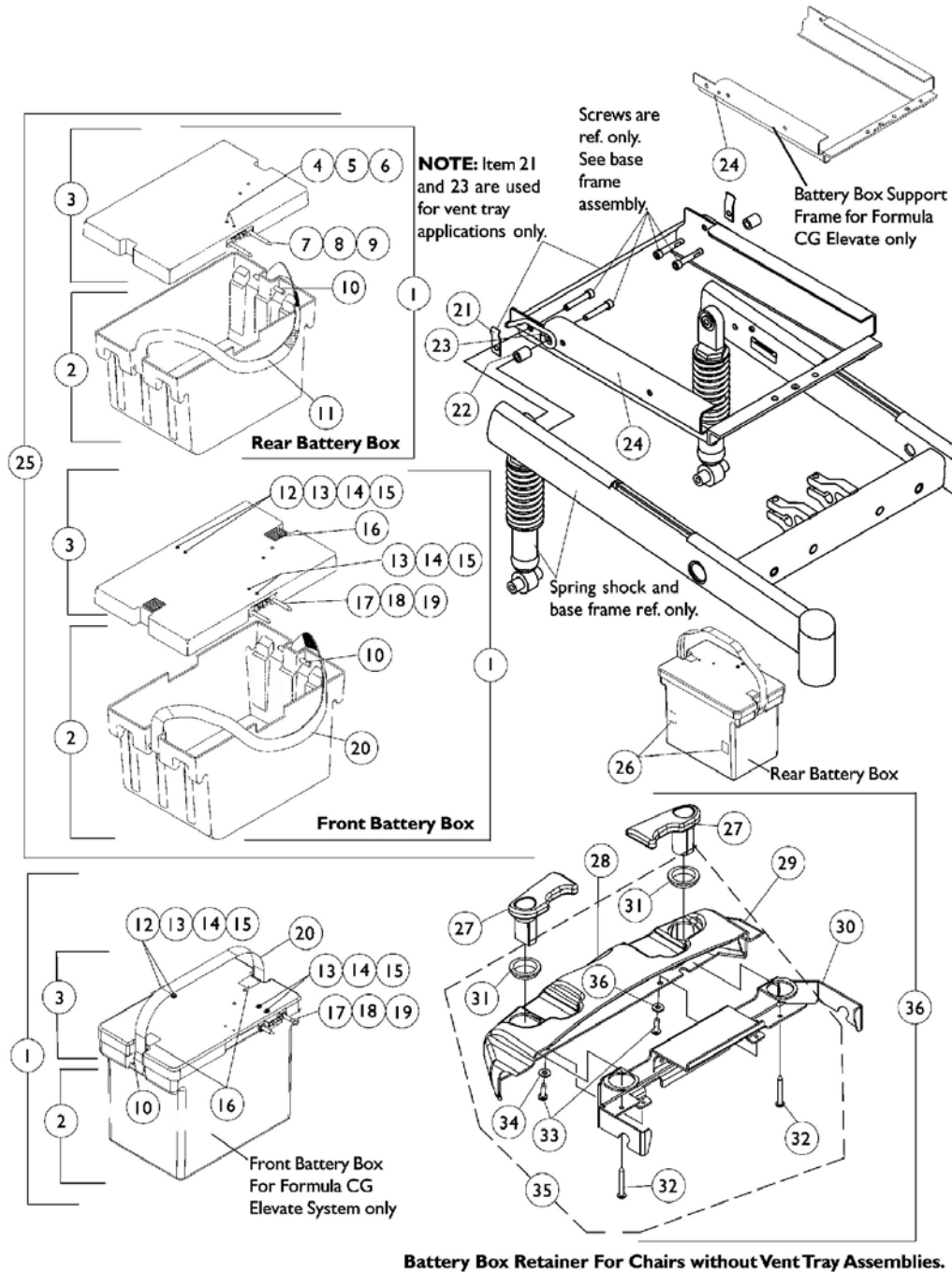
Item Number	Note	Part Number	Description	Quantity Per	
				Package	Assembly
1		1053161	Battery Charger, 8 Amp. 115vac (Off Board) Dual Mode Round Plug, Lester	1	1
1		1123249	Battery Charger, 8 Amp. 115vac (Off Board) Single Mode Round Plug w/ AC Power Line Cord, CTE Corp.	1	1
2		1089627	Cord, AC Power Line 115vac, 2-prong - Off Board (11'6"L)	1	1
3	A	1136055	Cable and Bracket w/ Black Connector (For GP24 Batteries & 4-Pole Motors)	1	1
3	B	1147019	Cable and Bracket w/ Red Connector (For GP24 Batteries & GB TT Motors)	1	1
4	C	1140112	Cable, Battery Extension	1	1
5	D	1146573	Cable, Drive Lockout Sensor (MK6i)	1	1
6	E	1144926	Cable, Drive Lockout Sensor (MK6i)	1	1
7	F	1142231	Cable, GB TT Interface	1	1
<p>NOTE: A - Used for GP24 Batteries only with 4-Pole Motors B - Used for GP24 Batteries only with GB TT Motors C - Used for 22NF Batteries with 4-Pole Motors only D - Used for chairs manufactured with ADJRECL Manual Recline or Full Recline Van Seats with 4-Pole Motors only. E - Sensor Cable used with item 7 Interface Cable for chairs manufactured with ADJRECL Manual Recline Seat Frame or Full Recline Van Seats with MK6i Electronics and GB TT Motors F - Interface Cable used with item 6 Sensor Cable for chairs manufactured with ADJRECL Manual Recline Seat Frame or Full Recline Van Seats with MK6i Electronics and GB TT Motors</p>					

Battery Boxes and Support Frame

Group 24 Batteries

NOTE: [Before 10/9/06: Group 24 battery boxes were standard on Arrow, Ranger X (U300) and Torque SP (301-350TQHD) models. Group 24 battery boxes are optional on Torque SP (250TQ) and (251-300TQ) models.]

[NOTE: After 10/8/06: Group 24 battery boxes are standard on Arrow and Ranger X and optional on Torque SP & (Torque SE introduced 11/15/06) & (Torque 3 introduced 12/19/07)]



Battery Boxes and Support Frame

Group 24 Batteries

NOTE: [Before 10/9/06: Group 24 battery boxes were standard on Arrow, Ranger X (U300) and Torque SP (301-350TQHD) models. Group 24 battery boxes are optional on Torque SP (250TQ) and (251-300TQ) models.]

[NOTE: After 10/8/06: Group 24 battery boxes are standard on Arrow and Ranger X and optional on Torque SP & (Torque SE introduced 11/15/06) & (Torque 3 introduced 12/19/07)]

Item Number	Note	Part Number	Description	Quantity Per	
				Package	Assembly
1	A	1039705	Battery Box Assembly w/ Black Battery Connector, Front	1	1
1	J	1123974	Battery Box Assembly w/ Red Battery Connector, Front	1	1
1	N	1146296	Battery Box Assembly w/ Black Battery Connector, Front (For Formula CG Elevate System Only)	1	1
1	P	1151803	Battery Box Assembly w/ Red Battery Connector, Front (For Formula CG Elevate System Only)	1	1
1	A	1041440	Battery Box Assembly w/ Black Battery Connector, Rear	1	1
1	J	1123975	Battery Box Assembly w/ Red Battery Connector, Rear	1	1
2	B	1041439	Battery Box Bottom Assembly, Front	1	1
2	B	1146293	Battery Box Bottom Assembly, Front (For Formula CG Elevate System Only)	1	1
2	C	1041438	Battery Box Bottom Assembly, Rear	1	1
3	I	1041432	Battery Box Lid Assembly w/ Black Battery Connector, Front	1	1
3	J	1123962	Battery Box Lid Assembly w/ Red Battery Connector, Front	1	1
3	N	1146294	Battery Box Lid Assembly w/ Black Battery Connector, Front (For Formula CG Elevate System Only)	1	1
3	P	1151801	Battery Box Lid Assembly w/ Red Battery Connector, Front (For Formula CG Elevate System Only)	1	1
3	I	1085414	Battery Box Lid Assembly w/ Black Battery Connector, Rear	1	2
3	J	1123963	Battery Box Lid Assembly w/ Red Battery Connector, Rear	1	1
4		1039773	Screw, Phillips Pan Head (#6-32 x 1-1/8")	1	2
5		1043599	Washer, Flat (5/32 x 3/8 x 1/32")	1	2
6		P0870X050	Nut, Keps (#6-32)	1	2
7		1041421	Pin, Connector Guide	1	4
8		1041422	Ring, Retaining	1	1
9		1041420	Bracket, Connector Guide Mounting	1	2
10		1041433	Pin, Handle	1	1
11		1041434	Handle Strap, Rear Battery Box	1	2
12		1041420	Bracket, Connector Guide Mounting	1	2
13		1043599	Washer, Flat (5/32 x 3/8 x 1/32")	1	4
14		1039773	Screw, Phillips Pan Head (#6-32 x 1-1/8")	1	4

Battery Boxes and Support Frame

Group 24 Batteries

NOTE: [Before 10/9/06: Group 24 battery boxes were standard on Arrow, Ranger X (U300) and Torque SP (301-350TQHD) models. Group 24 battery boxes are optional on Torque SP (250TQ) and (251-300TQ) models.]

[NOTE: After 10/8/06: Group 24 battery boxes are standard on Arrow and Ranger X and optional on Torque SP & (Torque SE introduced 11/15/06) & (Torque 3 introduced 12/19/07)]

Item Number	Note	Part Number	Description	Quantity Per	
				Package	Assembly
15		P0870X050	Nut, Keps (#6-32)	1	4
16		1070504	Fastener, Hook with Adhesive Back (1" x 1")	1	2
17		1041421	Pin, Connector Guide	1	2
18		1041422	Ring, Retaining	1	4
19		1041420	Bracket, Connector Guide Mounting	1	2
20		1041435	Handle Strap, Front Battery Box	1	2
21		1049550	Retainer Clip	1	2
22		1039649	Spacer (3/8 x 5/8 x 25/32")	1	2
22		1104881	Spacer (3/8 x 5/8 x 3/4")	1	1
23		1049549	Retainer, Battery Box	1	1
24		1086974	Frame, Battery Box Support	1	1
24		1144774	Frame, Battery Box Support (Formula CG Elevate Only)	1	1
25	G	1104859	Battery Box Assemblies, Support Frame and Hardware (with Vent Present)	1	1
25	L	1124559	Battery Box Assemblies, Support Frame and Hardware (with Vent Present)	1	1
25	H	1104821	Battery Box Assemblies, Support Frame and Hardware (without Vent Present)	1	1
25	M	1123976	Battery Box Assemblies, Support Frame and Hardware (without Vent Present)	1	1
26	O	1104802	Decal, Push/Drive	1	2
27		1104693	Cam, Right	1	1
27		1104694	Cam, Left	1	1
28		1095489	Decal, Invacare 3-D Logo (2-1/2" L)	1	1
29		1104692	Cover, Battery Retainer	1	1
30		1105557	Bracket, Battery Support, Black	1	1
31		1104696	Bushing, Top	1	2
32		1075176	Screw, Slotted Hex Washer Head Tap (#10-16 x 1-1/2")	1	2
33		1028755	Screw, Phillips Pan Head (#10-32 x 5/8")	1	2
34		1023631	Washer, Plain (3/16 x 1/2 x 1/16")	1	2
35	D	1104871	Retainer Hardware	1	1
36	E	1104701	Retainer Assembly	1	1
	K,F	1089385	Fuse, 80 Amp, MIDI (Non-G/B & G/B)	1	2
	F	1104849	Service Manual, Storm	1	1

Battery Boxes and Support Frame

Group 24 Batteries

NOTE: [Before 10/9/06: Group 24 battery boxes were standard on Arrow, Ranger X (U300) and Torque SP (301-350TQHD) models. Group 24 battery boxes are optional on Torque SP (250TQ) and (251-300TQ) models.]

[NOTE: After 10/8/06: Group 24 battery boxes are standard on Arrow and Ranger X and optional on Torque SP & (Torque SE introduced 11/15/06) & (Torque 3 introduced 12/19/07)]

NOTE: A - Includes items 2 and 3. Used with all 4-pole motors, GB non-heavy duty and [GB heavy duty TTHD motors before 1/26/04 (3/15/04 for VA Government orders)]
B - Includes items 10 and 20
C - Includes items 10 and 11
D - Includes items 31-34
E - Includes items 27-34
F - Not Shown
G - Includes items 1 and 21-24 and used before 1/26/04
H - Includes items 1, 22 and 24 and used before 1/26/04
I - Used with all 4-pole motors, GB non-heavy duty and [GB heavy duty TTHD motors before 1/26/04 (3/15/04 for VA Government orders)]
J - Used with GB heavy duty TTHD motors after 1/25/04 only (3/14/04 for VA Government orders)
K - Battery box lids made after 1/25/04 (3/14/04 for VA Government orders) use a non-replaceable 125 Amp. fuse. A new battery box lid must be ordered when the 125 Amp. fuse is required.
L - Includes items 1 and 21-24 and used after 1/25/04 (3/14/04 for VA Government orders). The battery box lids contain the 125 Amp. non-replaceable fuse
M - Includes items 1, 22 and 24 and used after 1/25/04 (3/14/04 for VA Government orders). The battery box lids contain the 125 Amp. non-replaceable fuse
N - Used with 4-Pole motors only with Formula CG Elevate System
O - Decal not used when GB Heavy Duty Motors are used
P - Used with GB Heavy Duty TTHD motors with Formula CG Elevate System

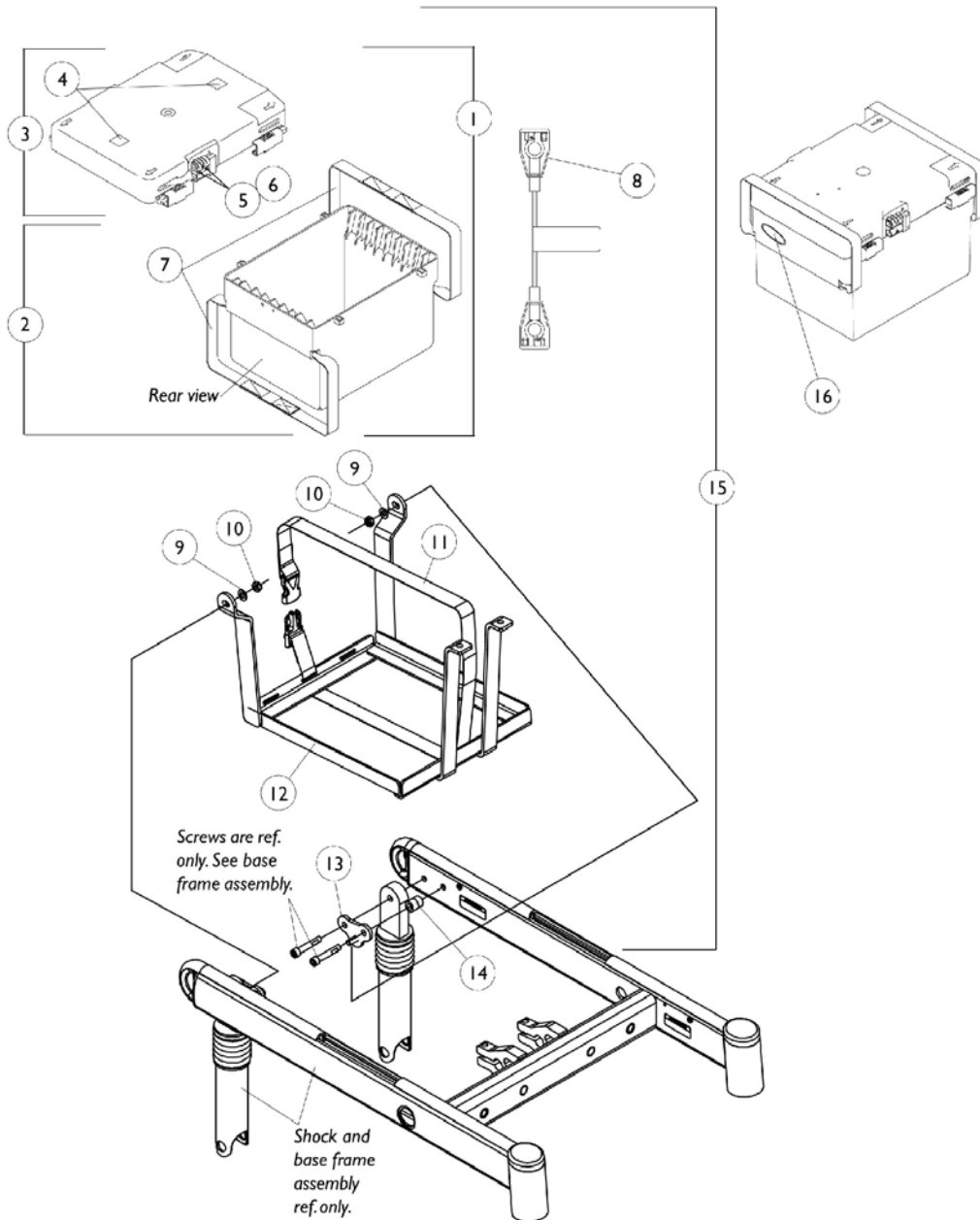
NOTE: Items 25, 36, service manual part number 1104849 and new wire harness for Group 24 batteries must be ordered when upgrading from 22NF batteries to Group 24 Batteries.

Battery Box and Tray Assembly

22NF Batteries

NOTE: [Before 10/9/06: 22NF battery boxes were standard on Torque SP (250TQ) and (251-300TQ) models.]

NOTE: [After 10/8/06: 22NF battery boxes are standard on Torque SP (300 Lb. Limit) models.]. [Standard on Torque SE introduced 11/15/06 & Torque 3 introduced 12/19/07]



Battery Box and Tray Assembly

22NF Batteries

NOTE: [Before 10/9/06: 22NF battery boxes were standard on Torque SP (250TQ) and (251-300TQ) models.]

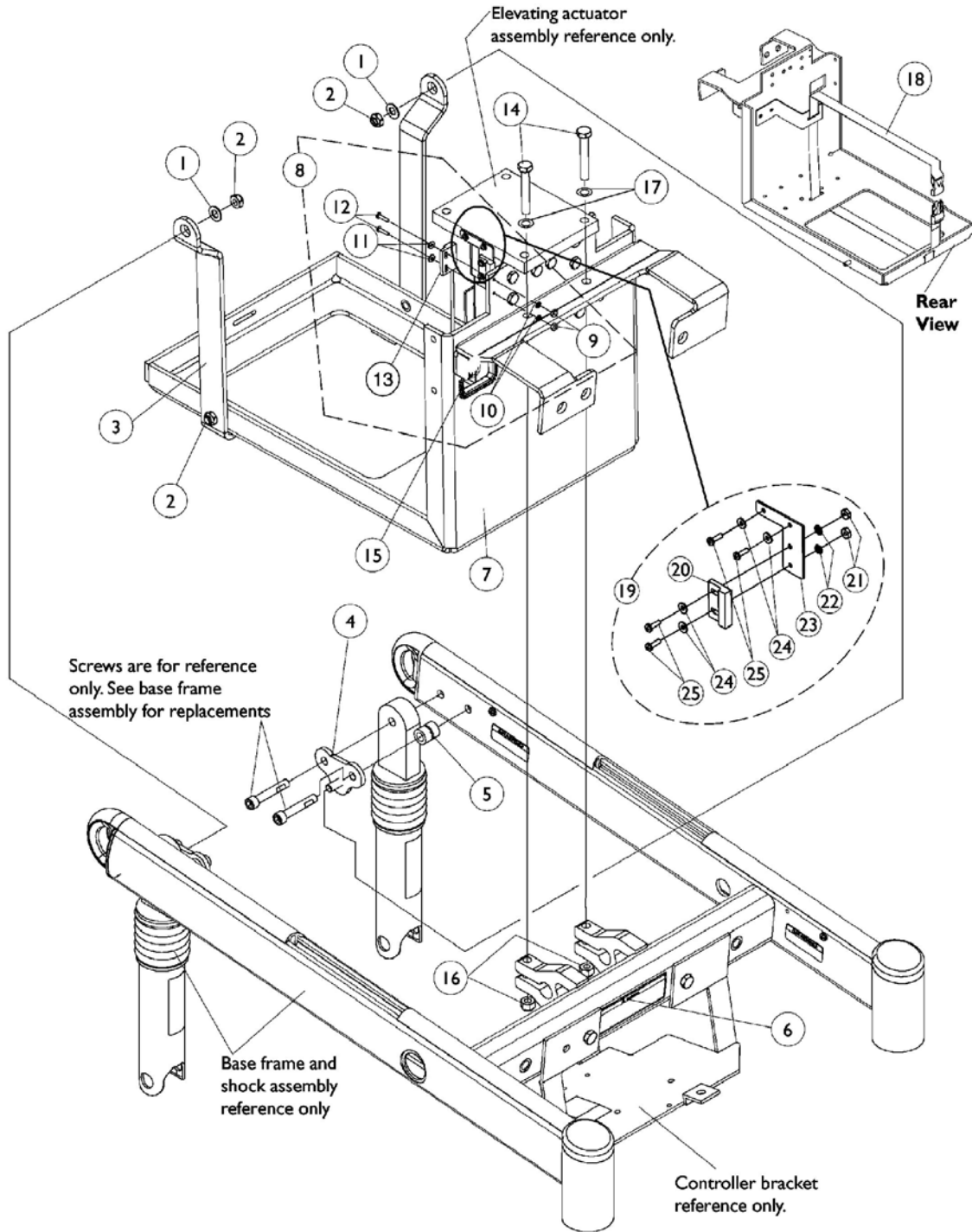
NOTE: [After 10/8/06: 22NF battery boxes are standard on Torque SP (300 Lb. Limit) models.]. [Standard on Torque SE introduced 11/15/06 & Torque 3 introduced 12/19/07]

Item Number	Note	Part Number	Description	Quantity Per	
				Package	Assembly
1	A	1050175	Battery Box Assembly	1	1
2		1049365	Battery Box Bottom with Straps	1	1
3	B	1049366	Battery Box Lid Assembly	1	1
4		1070504	Fastener, Hook with Adhesive Back (1" x 1")	1	2
5		1037901	Screw, Phillips Pan Head (#6-32 x 7/8")	1	2
6		P0870X050	Nut, Keps (#6-32)	1	2
7		50000X121	Strap, Battery Lift	1	2
8		50000X123	Cable, Battery Jumper	1	1
9		1025704	Washer, Flat (5/16 x 5/8 x 1/16")	1	2
10		1028769	Locknut (5/16-18)	1	2
11		1049846	Strap Assembly, Battery	1	1
12		1092190	Battery Tray with Strap Assembly	1	1
13		1049354	Bracket, Hanger, Black	1	2
14		1104881	Spacer (3/8 x 5/8 x 3/4")	1	2
15	C	1104837	Battery Box/ Tray Assembly	1	1
16		1095489	Decal, Invacare 3-D Logo (2-1/2" L)	1	1
	D	1089385	Fuse, 80 Amp, MIDI (Non-G/B & G/B)	1	1

NOTE: A - Includes items 2 and 3
 B - Includes items 4-6
 C - Includes items 1, 8-10 and 12-14
 D - Not Shown

Battery Tray, Proximity Sensor and Hardware For Elevating Seat

Discontinued 10/16/06. After 10/15/06, Refer to Formula CG Powered Seating System Parts Catalog Form #06-106 for the Elevate Option components for 3G Storm Series.



Battery Tray, Proximity Sensor and Hardware For Elevating Seat

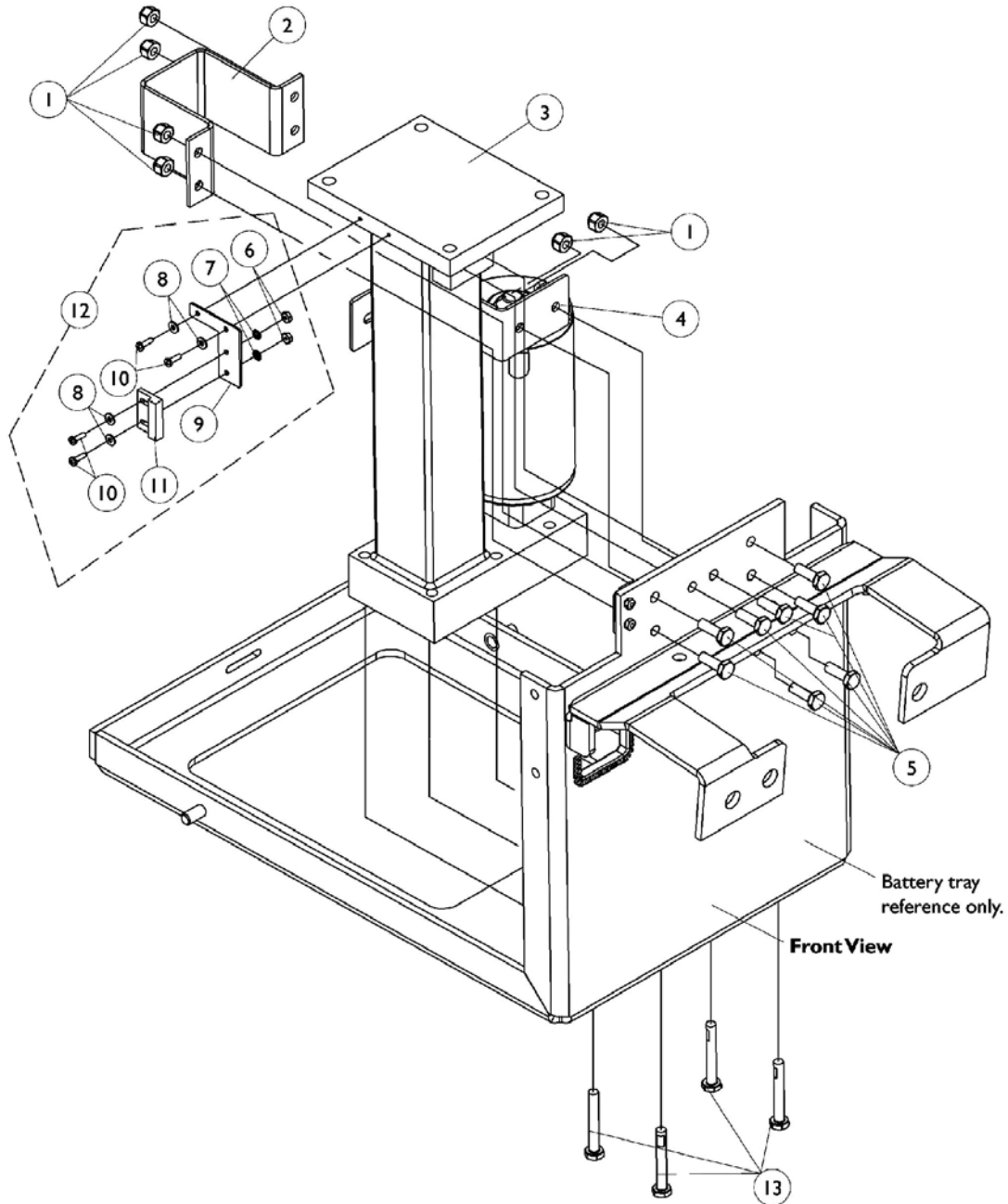
Discontinued 10/16/06. After 10/15/06, Refer to Formula CG Powered Seating System Parts Catalog Form #06-106 for the Elevate Option components for 3G Storm Series.

Item Number	Note	Part Number	Description	Quantity Per	
				Package	Assembly
1		1025704	Washer, Flat (5/16 x 5/8 x 1/16")	1	2
2		1028769	Locknut (5/16-18)	1	4
3		1106529	Bracket, Battery Tray Support, Black	1	2
4		1049354	Bracket, Hanger, Black	1	2
5		1104881	Spacer (3/8 x 5/8 x 3/4")	1	2
6		1106662	Label, Warning, Elevating Seat	1	1
7		1106517	Tray, Battery	1	1
8	A	1108774	Hardware, Proximity Switch Sensor and Mounting	1	1
9		1005889	Locknut (#4-40)	1	2
10		1008525	Washer, Internal Tooth Lock (#4-40)	1	2
11		1011011	Washer, Plain (1/8 x 5/16 x 1/32)	1	2
12		1021742	Screw, Phillips Pan Head (#4-40 x 1/2")	1	2
13		1105715	Sensor, Proximity Switch	1	1
14		1042484	Screw, Hex Head (5/16-18 x 2")	1	2
15		1109563	Strip, Grommet	1	1
16		1026158	Locknut (5/16-18)	1	2
17		1074133	Washer (5/16 x 3/4 x 1/16")	1	2
18		1049846	Strap Assembly, Battery	1	1
19	D	1108773	Hardware, Actuator Switch Sensor and Mounting	1	1
20		1024001	Sensor, Actuator Switch	1	1
21		1005889	Locknut (#4-40)	1	2
22		1008525	Washer, Internal Tooth Lock (#4-40)	1	2
23		1106518	Bracket, Actuator Switch Sensor, Black	1	1
24		1011011	Washer, Plain (1/8 x 5/16 x 1/32)	1	4
25		1027704	Screw, Phillips Pan Head (#4-40 x 3/8")	1	4
	B,C	1108775	Hardware, Battery Tray Mounting	1	1

NOTE: A - Includes items 9-13
 B - Includes items 1-5
 C - Not Shown
 D - Includes items 20-25

Elevating Actuator, Switch Sensor and Hardware For Elevating Seat

Discontinued 10/16/06. After 10/15/06, Refer to Formula CG Powered Seating System Parts Catalog Form #06-106 for the Elevate Option components for 3G Storm Series.



Elevating Actuator, Switch Sensor and Hardware For Elevating Seat

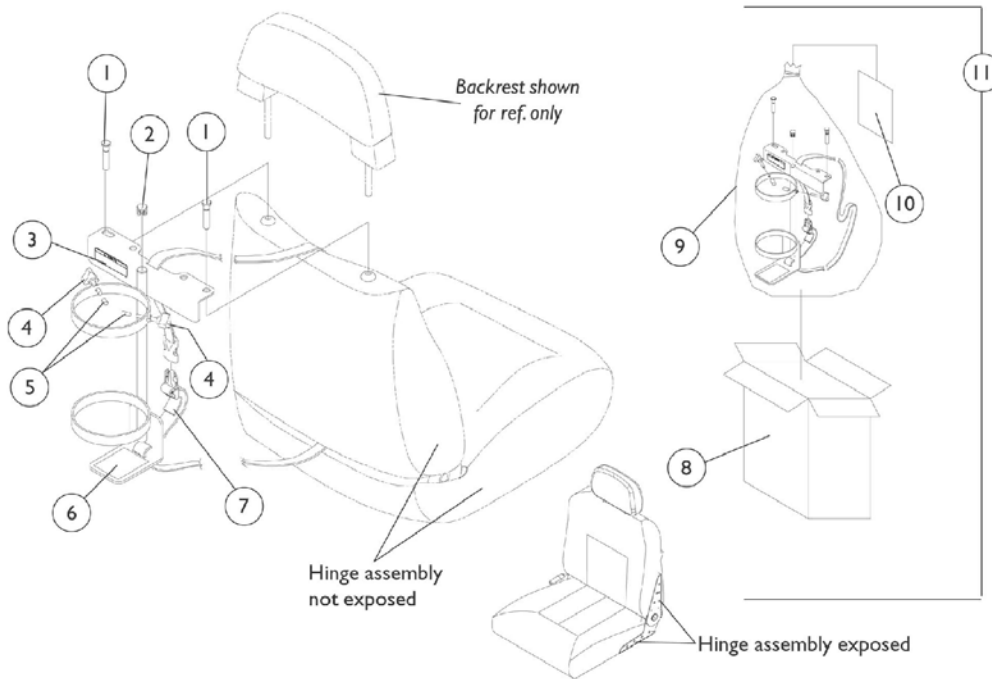
Discontinued 10/16/06. After 10/15/06, Refer to Formula CG Powered Seating System Parts Catalog Form #06-106 for the Elevate Option components for 3G Storm Series.

Item Number	Note	Part Number	Description	Quantity Per	
				Package	Assembly
1		1025736	Locknut (1/4-20)	1	6
2		1108436	Bracket, Actuator Support, Black	1	1
3		1109334	Actuator Assembly, Elevating	1	1
4		1108435	Bracket, Battery Strap, Black	1	1
5		1025708	Bolt, Hex Head Cap (1/4-20 x 3/4")	1	8
6		1005889	Locknut (#4-40)	1	2
7		1008525	Washer, Internal Tooth Lock (#4-40)	1	2
8		1011011	Washer, Plain (1/8 x 5/16 x 1/32)	1	4
9		1106518	Bracket, Actuator Switch Sensor, Black	1	1
10		1027704	Screw, Phillips Pan Head (#4-40 x 3/8")	1	4
11	B	1024001	Sensor, Actuator Switch	1	1
12	A	1108773	Hardware, Actuator Switch Sensor and Mounting	1	1
13		1088898	Screw, Hex Head Cap w/ Patch (1/4-20 x 1-3/4")	1	4

NOTE: A - Includes items 6-11
 B - The Proximity Sensor that mates up with item 11 can be found under the page titled "Battery Tray, Proximity Sensor and Hardware For Power Elevating Seat".

Oxygen Holder Assembly Kit Before 4/15/03

Captain Seat, Low Back Models Only

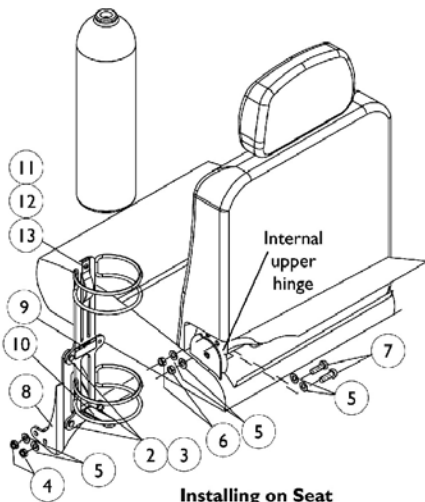


Item Number	Note	Part Number	Description	Quantity Per	
				Package	Assembly
1	A	1080865	Pin, Oxygen Holder	1	2
2		1035614	Plug Button, Black (5/8")	1	1
3		1080866	Decal, Oxygen Warning - English	1	1
4		1027684	Knob, Clamping (Black)	1	2
5		1086780	Package, Protective Caps	10	2
6		1073159	Pad, Non-Skid	1	1
7		1080872	Strap with Buckle	1	1
8		1083052	Carton, Shipper	1	1
9		2000454	Bag, Poly (33" W x 39" L)	1	1
10		1080869	Instruction Sheet, Oxygen Holder	1	1
11	B,C	1080870-NLA	Oxygen Holder Assembly with Instruction Sheet	1	1

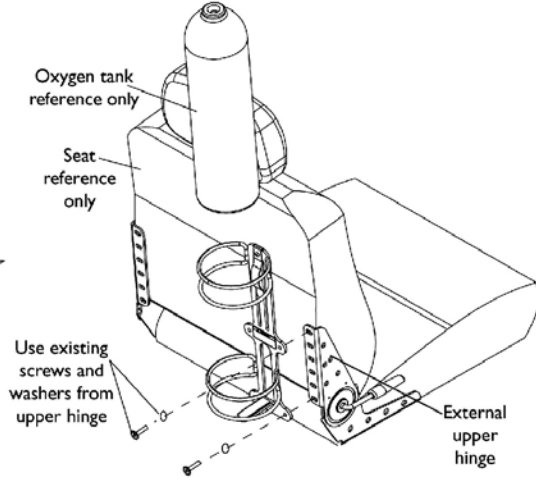
NOTE: A - Oxygen holder pins are to be used when backrest is absent.
 B - Includes items 1-10
 C - Due to product improvement, see oxygen holder assemblies dated after 4/14/03 that will accommodate both (exposed and non-exposed) captain seat hinge assemblies. Special orders are no longer needed for exposed hinge assembly models.

Oxygen Holder Assembly Kit After 4/14/03

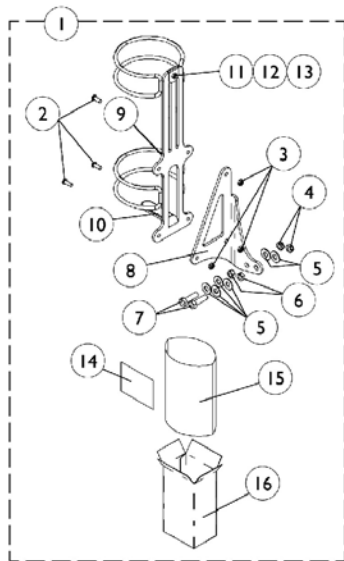
All Captain Seat Models



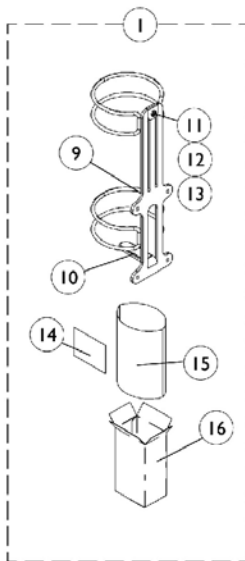
Installing on Seat with Internal Hinge



Installing on Seat with External Hinge



O2 Holder D or E size tanks



Home Filled O2 Holder (HFO2-ML6)

Oxygen Holder Assembly Kit After 4/14/03 All Captain Seat Models

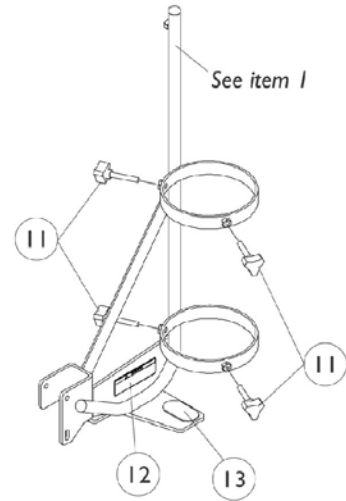
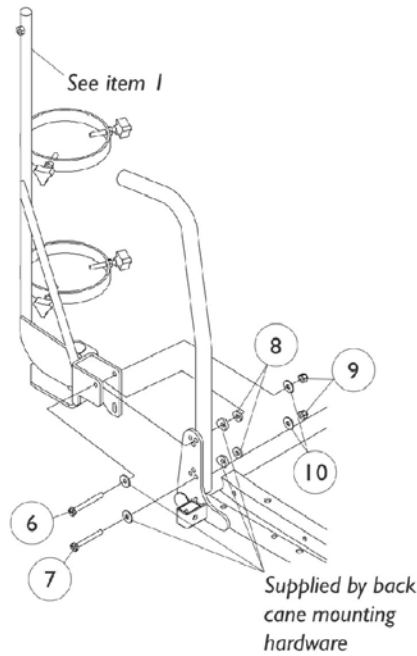
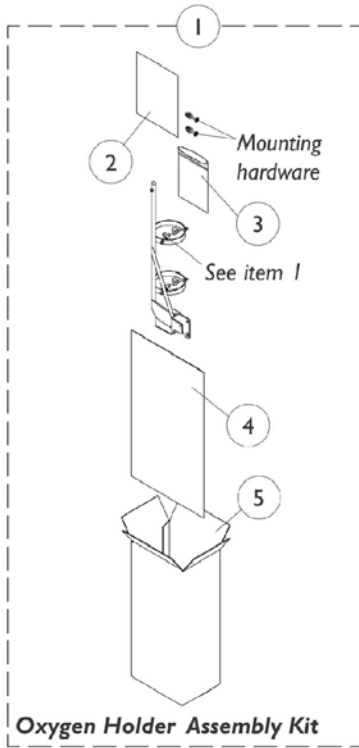
Item Number	Note	Part Number	Description	Quantity Per	
				Package	Assembly
1	A	1116952	Oxygen Holder Assembly Kit	1	1
1	B	1116956	Assembly, Oxygen Holder (D or E Tanks)	1	1
1		HFO2-ML6	Assembly, Oxygen Holder (Home Filled Tank)	1	1
2		1055304	Screw, Socket Button Head (1/4-28 x 5/8")	1	3
3		1025765	Locknut (1/4-28)	1	3
4		1028486	Locknut, Low Profile (3/8-16)	1	2
5		1118889	Washer, Steel (3/8 x 7/8 x 1/16")	1	6
6		1116954	Nut, Hex (3/8-16)	1	2
7		1118888	Screw, Hex Head (3/8-16 x 1-1/4")	1	2
8		1116953	Bracket, Oxygen Holder	1	1
9		1080866	Decal, Oxygen Warning - English	1	1
10		1116950	Pad, Non-Skid	1	1
11		1116945	Spring, Oxygen Holder	1	1
12		1072319	Screw, Socket Button Head (#10-32 x 1/2")	1	1
13		1025735	Locknut (#10-32)	1	1
14		1116957	Instruction Sheet, Oxygen Holder	1	1
15		1021866	Bag, Poly (15" Wide x 26" Long)	1	1
16		1063960	Carton	1	1

NOTE: A - For seats with an INTERNAL (Non-Visible) hinge assembly. Includes O2 Holder and items 2-16
B - For seats with an EXTERNAL (Visible) hinge assembly. Includes O2 Holder and includes items 9-16

Oxygen Holder Assembly Kit

ASBA Seats (Before 7/5/05)

NOTE: Oxygen holder is not available on recliner options and seat depths of 15" or less because of the CJ bracket interference.



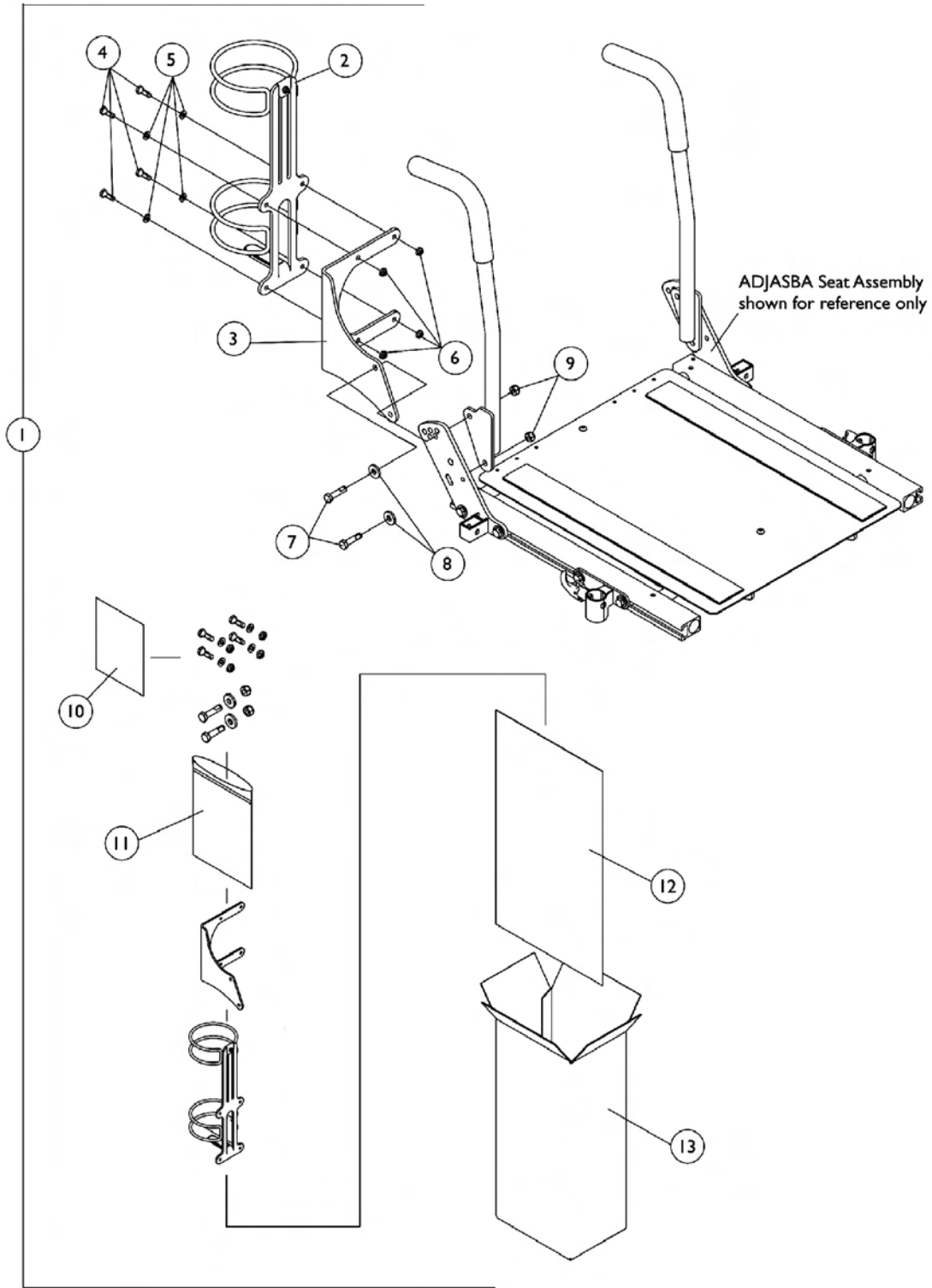
Item Number	Note	Part Number	Description	Quantity Per	
				Package	Assembly
1	A	1098857	Oxygen Holder, Assembly Kit	1	1
2		1098333	Instruction Sheet, Oxygen Holder	1	1
3		1021148	Bag, Poly Zip-Lip (6" Wide x 8-3/4" Long)	1	1
4		1021866	Bag, Poly (15" Wide x 26" Long)	1	1
5		1097276	Carton, Shipper	1	1
6		1096839	Screw, Hex Head (1/4-20 x 2-1/4")	1	1
7		1096838	Screw, Hex Head (1/4-20 x 2")	1	1
8		1018739	Washer (1/4 x 5/8 x 3/32")	1	2
9		7930333	Locknut (1/4-20)	25	2
10		1026900	Washer (1/4 x 23/32 x 1/16")	1	2
11		1027684	Knob, Clamping (Black)	1	4
12		1080866	Decal, Oxygen Warning - English	1	1
13		1072002	Pad, Non Skid	1	1

NOTE: A - Includes items 2-13

Oxygen Holder Assembly Kit

ADJASBA Seats (After 7/4/05)

NOTE: Oxygen holder is not available on recliner options and the 12"-16" wide ADJASBA Seat Frame



Oxygen Holder Assembly Kit ADJASBA Seats (After 7/4/05)

NOTE: Oxygen holder is not available on recliner options and the 12"-16" wide ADJASBA Seat Frame

Item Number	Note	Part Number	Description	Quantity Per	
				Package	Assembly
1	A	1135504	Kit, Oxygen Holder Assembly For ADJASBA Seats	1	1
2			Oxygen Holder	1	1
3			Bracket, Oxygen Holder (ASBA and ADJASBA Seats)	1	1
4			Screw, Hex Head (1/4-20 x 3/4")	1	4
5			Washer (1/4 x 1/2 x 1/16")	1	4
6			Locknut (1/4-20)	1	4
7			Screw, Hex Head Cap with Patch (5/16-18 x 1-1/4")	1	2
8			Washer, Flat (21/64 x 53/64 x 7/64")	1	2
9			Locknut (5/16-18)	1	2
10			Instruction Sheet, Oxygen Holder For ADJASBA Seats	1	1
11			Bag, Poly Zip-Lip (6" Wide x 8-3/4" Long)	1	1
12			Bag, Poly (15" Wide x 26" Long)	1	1
13			Carton, Shipper	1	1

NOTE: A - Includes items 2-13

Power Wheelchair Tool Kit

1



Multimeter with Leads



Grounding Wire



1" Test Leads



Protractor/Angle Locator



Invacare Pen Light



Invacare Tape Measure



Invacare Phillips/Flat Head Screwdriver



MKIV Programmer



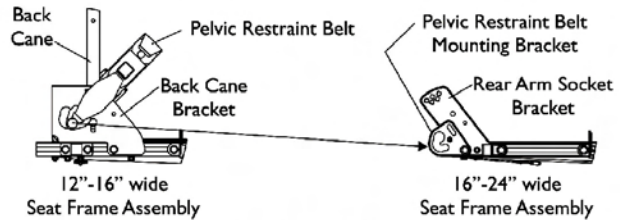
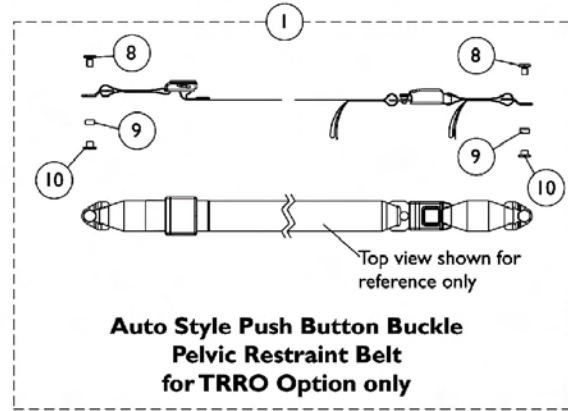
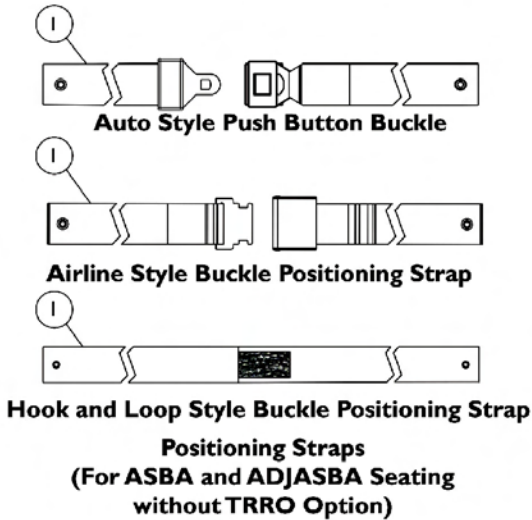
Virtual Service Charger Cable

Power Wheelchair Tool Kit

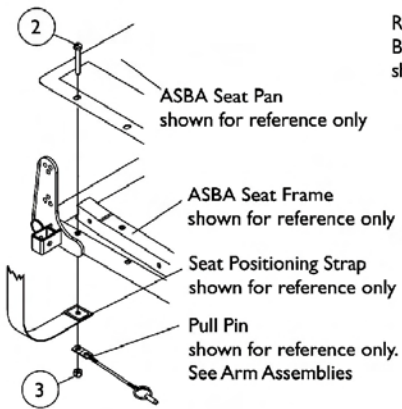
Item Number	Note	Part Number	Description	Quantity Per	
				Package	Assembly
1		1125222	Kit, Power Wheelchair Tool Includes: 1 ea. Multimeter with Leads 1 ea. Locator, Protractor/Angle Magnetic Base 1 ea. Instructions, MKIV Programmer 1 ea. Wire, Grounding with Hand Strap and Clip 1 ea. Leads, 1" Test 1 ea. Light, Pen with Invacare Logo 1 ea. Tape Measure, Compact with Invacare Logo 1 ea. Screwdriver, Pen-Size Phillips/Flat Head 1 ea. Cable, Virtual Service Charger/Modem	1	1

Miscellaneous Accessories

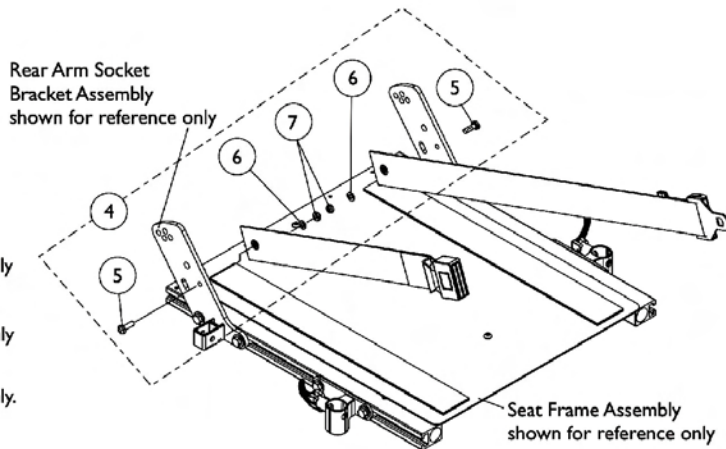
NOTE: Chest Positioning Straps share the same hardware that attaches a Back Upholstery



**Pelvic Restraint Belt Mounting Location
(For ADJASBA Seating w/ TRRO Option)**



**Seat Positioning Strap
Mounting Hardware
(For ASBA Seating)**



**Seat Positioning Strap
Mounting Hardware
(For ADJASBA Seating)**

Miscellaneous Accessories

NOTE: Chest Positioning Straps share the same hardware that attaches a Back Upholstery

Item Number	Note	Part Number	Description	Quantity Per	
				Package	Assembly
1		See Chart	#1 Positioning Straps	1	1
1	C	See Chart	#1 Pelvic Restraint Belt For TRRO Option Only	1	1
2		1037610	Screw, Hex Head (1/4-20 x 1-5/8")	1	2
3		1025736	Locknut (1/4-20)	1	2
4	A	1124385	Kit, Seat Positioning Strap Mounting Hardware (both LT & RT sides)	1	1
5			Screw, Hex Head (1/4-20 x 3/4")	1	2
6			Washer (1/4 x 1/2 x 1/16")	1	2
7			Locknut (1/4-20)	1	2
8		1134055	Screw, Hex Head (3/8-24 x 5/8")	1	2
9		1134054	Bushing, Nylon (1/2 x 9/16 x 9/32")	1	2
10		1134056	Nut, Barrel (3/8-24)	1	2
	B	40176X010	Tire Pump	1	1

NOTE: A - Includes items 5-7
 B - Not Shown
 C - Before ordering a replacement Pelvic Restraint Belt for TRRO Option, Please read the information provided on page titled "TRRO and TRBKTS Option Clarification Reference" page

Miscellaneous Accessories

NOTE: Chest Positioning Straps share the same hardware that attaches a Back Upholstery

#1 Positioning Straps

Description	12"-15" Wide	16"-19" Wide	20"-22" Wide	23"-24" Wide
Auto Style Push Button	1036527 Positioning Strap, Seat/Chest w/ Auto Style Buckle (Eyelet to Eyelet Length 33") See Note(s) A	1004310 Positioning Strap, Seat/Chest w/ Auto Style Push Button Buckle (Eyelet to Eyelet Length 48")	1034625 Positioning Strap, Seat/Chest w/ Auto Style Push Button Buckle (Eyelet to Eyelet Length 61")	1034622 Positioning Strap, Seat/Chest w/ Auto Style Push Button Buckle (Eyelet to Eyelet Length 69")
Airline Style	N/A	1034625. 0	1034752 Positioning Strap, Seat/Chest w/ Airline Style Buckle (Eyelet to Eyelet Length 61")	1034753 Positioning Strap, Seat/Chest w/Airline Style Buckle (Eyelet to Eyelet Length 70")
Hook and Loop See Note(s) B	N/A	1034744 Positioning Strap, Seat/Chest w/ Hook and Loop Style Buckle (Eyelet to Eyelet Length 45") See Note(s) B	1034745 Positioning Strap, Seat/Chest w/ Hook and Loop Style Buckle (Eyelet to Eyelet Length 61") See Note(s) B	1034746 Positioning Strap Hook and Loop Style Buckle (Eyelet to Eyelet Length 69") See Note(s) B

NOTE: A - 12"-15" wide positioning straps come in rainbow color.
B - Hook and Loop style positioning strap for power chairs is used for chest positioning only

#1 Pelvic Restraint Belt For TRRO Option Only

Description	12"-16" Wide	16"-24" Wide
Auto Style Push Button See Note(s) A	1134475 Belt, Pelvic Restraint w/ Auto Style Push Button Buckle (Bushing Hole to Bushing Hole Length 37")	1134476 Belt, Pelvic Restraint w/ Auto Style Push Button Buckle (Bushing Hole to Bushing Hole Length 55") See Note(s) A

NOTE: A - Includes the Pelvic Restraint Belt and items 8-10

Invacare Corporation

www.invacare.com



Yes, you can.™

One Invacare Way
Elyria, Oh USA
44036-2125
800-333-6900

Technical Support
800-832-4707
Florida Technical Support
407-321-5630

Customer Service
800-333-6900

©2008 Invacare Corporation. Elyria, Ohio.
All rights reserved. Trademarks are identified by the symbols™ and®. All trademarks are owned by or licensed to Invacare Corporation unless otherwise noted. Otto Bock is a registered trademark of Otto Bock Orthopaedische Industrie GMBH & Co., Tash is a registered trademark of Tash International Inc., Therafin is a registered trademark of W/R/ Medical Electronics Co., Bussman is a registered trademark of Cooper Industries., MIDI is a registered trademark of Littelfuse Inc., Dynamic is a registered trademark of Dynamic Controls Limited. (Revised 6/27/08)

Form No. 00-191